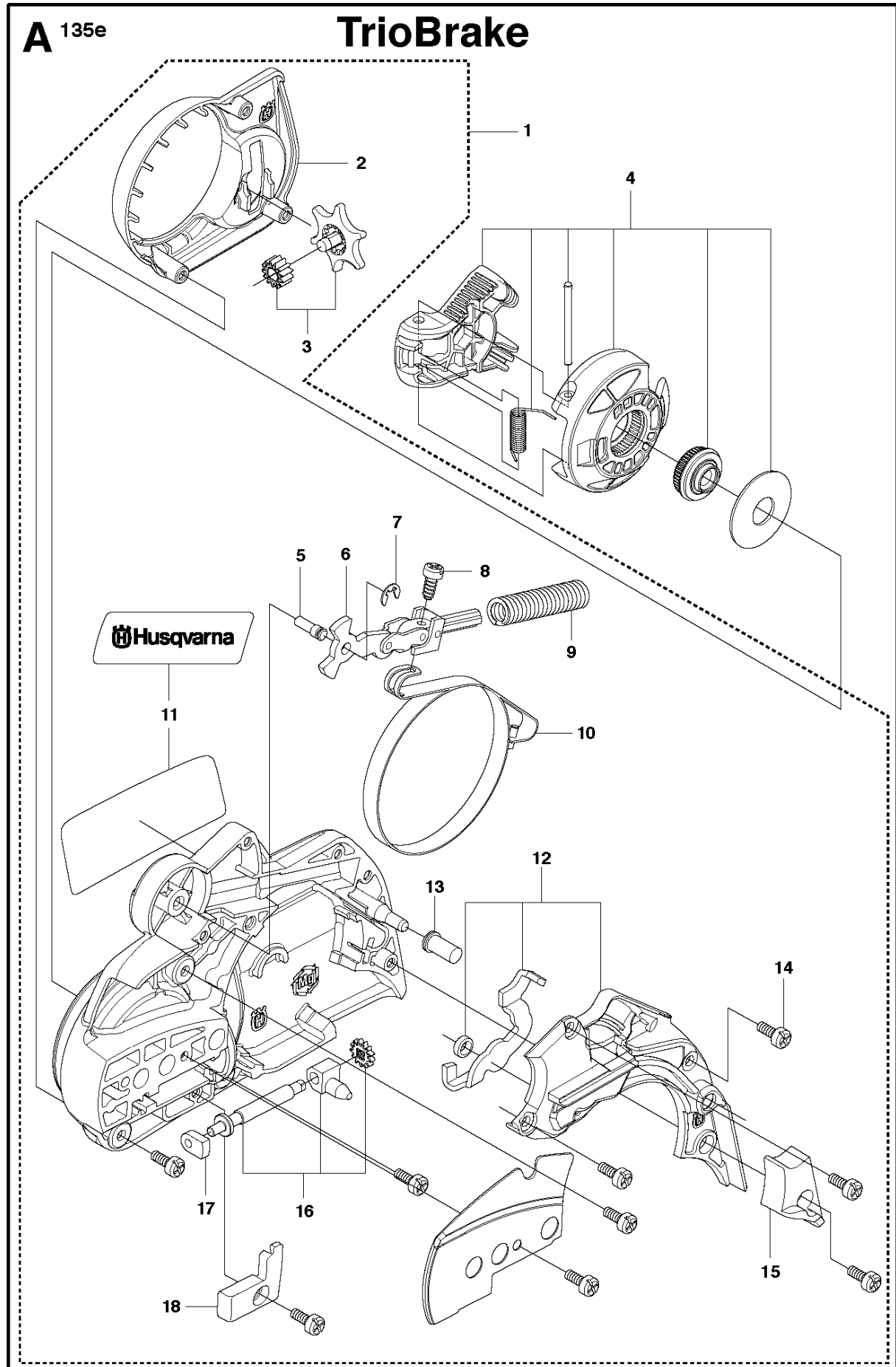




SPARE PARTS LIST

CHAIN SAWS

135 E TRIOBRAKE,



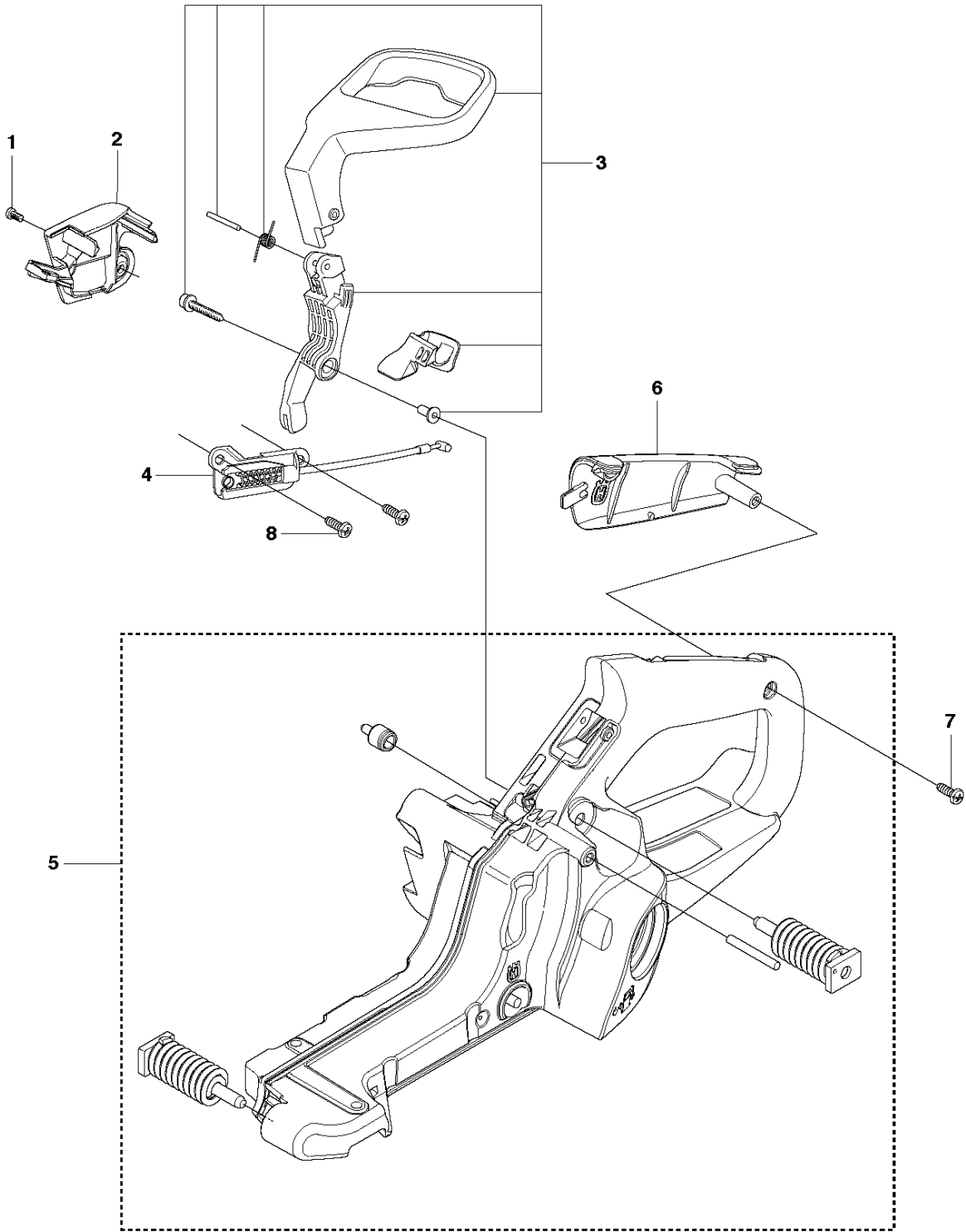
CHAIN BRAKE & CLUTCH COVER

135 E TRIBRAKE,

Ref	Part no.	Description	Remark	Qty	Kit
1	521 92 59-01	CLUTCH COVER ASSY		1	
2	537 39 26-01	HEAT PROTECTOR		1	1
3	537 34 72-01	CHAIN TENSIONER WHEEL		1	1
4	537 34 78-01	KNOB		1	
5	503 89 29-01	PIN KNEE-JOINT		1	1
6	503 89 08-02	KNEE JOINT ASSY		1	1
7	735 31 08-20	E-CLIP		1	1
8	503 21 70-10	SCREW CCRPANT		1	1
9	505 89 26-01	BRAKE SPRING		1	1
10	544 30 60-01	BRAKE BAND ASSY		1	1
11	544 35 75-01	LABEL		1	1
12	502 44 69-01	COVER LID ASSY		1	1
13	503 85 52-01	GUIDE BUSHING		1	1
14	503 21 70-10	SCREW CCRPANT		9	1
15	544 25 31-01	WEAR PROTECTION		1	1
16	502 49 32-01	CHAIN TENSIONER SCREW		1	1
17	544 84 55-01	BEARING SLEEVE		1	1
18	504 54 28-01	COVER LID		1	1

B 135e

TrioBrake



FUEL TANK & HANDLE

135 E TRIOBRAKE,

Ref	Part no.	Description	Remark	Qty	Kit
1	503 21 70-72	SCREW CCRPANT		1	
2	502 44 67-01	COVER LID		1	
3	575 55 14-01	HAND GUARD		1	
4	521 93 93-01	WIRE ASSY		1	
5	502 44 63-02	FUEL TANK ASSY		1	
6	502 44 68-01	HANDLE INSERT		1	
7	503 21 28-10	SCREW CCRPANT		1	
8	503 21 70-72	SCREW CCRPANT		2	