

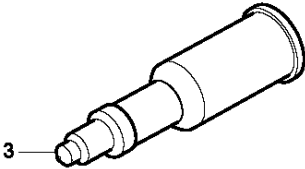
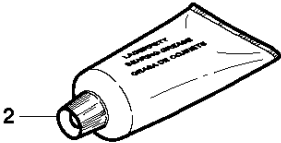
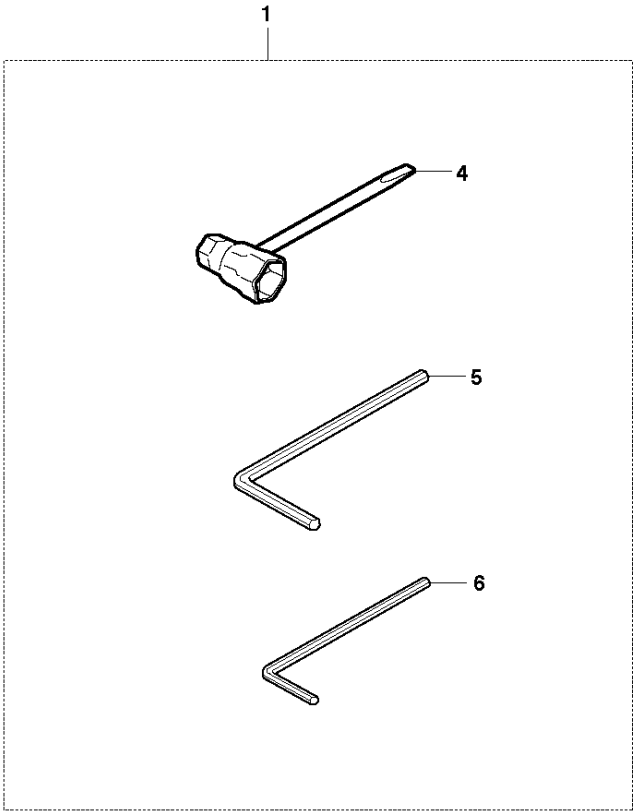


# SPARE PARTS LIST

CHAIN SAWS

268,2017-08

**P** Tillbehör  
Accessories  
Zubehöre  
Accessoires  
Accesorios

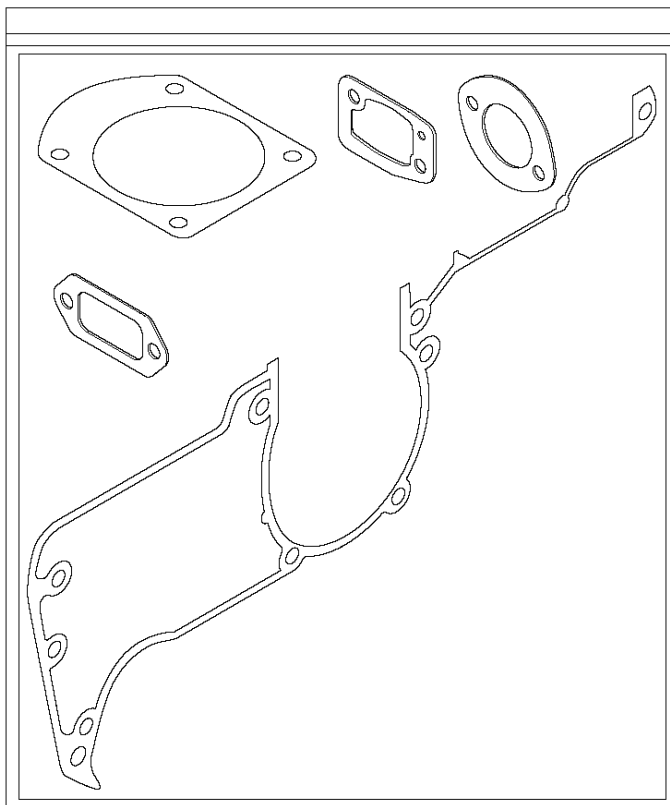


## ACCESSORIES

268,2017-08

| Ref | Part No      | Description        | Remark | QTY | KIT |
|-----|--------------|--------------------|--------|-----|-----|
| 1   | 503 55 85-01 | TOOL               |        | 1   |     |
| 2   | 503 62 12-01 | GREASE             |        | 1   |     |
| 3   | 501 91 14-01 | GREASE GUN         |        | 1   |     |
| 4   | 501 69 17-01 | COMBINATION WRENCH |        | 1   | 1   |
| 5   | 503 55 86-02 | SPANNER            |        | 1   | 1   |
| 6   | 503 55 86-01 | SPANNER            |        | 1   | 1   |

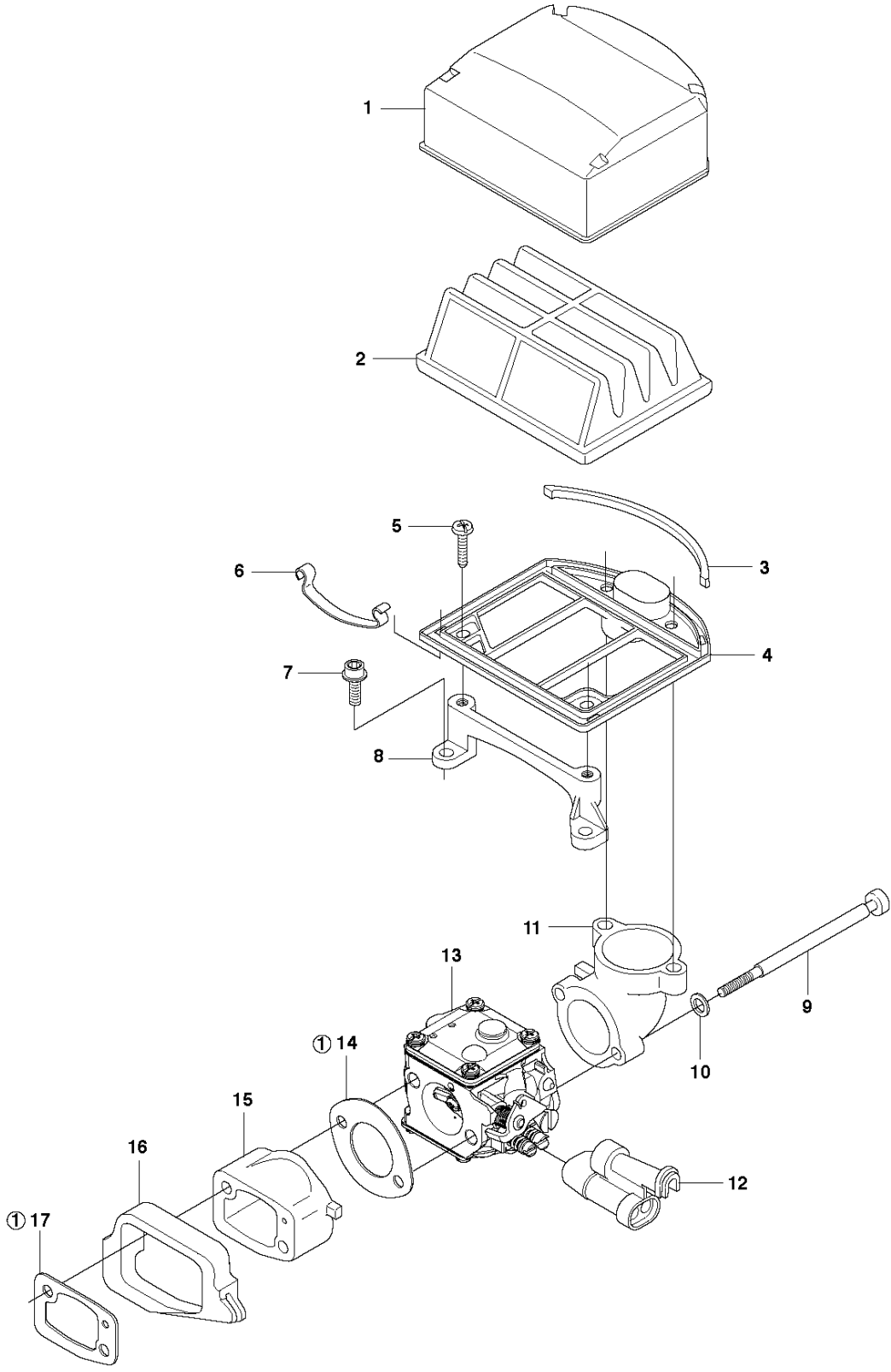
**Q** Leveras endast som reservdel  
Delivery as spare part only  
Nur als Ersatzteil lieferbar  
Livrabable seulement comme pièce de rechange  
Solo como repuesto  
Zasilã se jenom jako náhradni díl



1 ①  
Set of gaskets  
Dichtungssatz  
Jeu de joints  
Juego de juntas  
Packningssats

| Ref | Part No      | Description | Remark | QTY KIT |
|-----|--------------|-------------|--------|---------|
| 1   | 501 52 26-04 | GASKET KIT  |        | 1       |

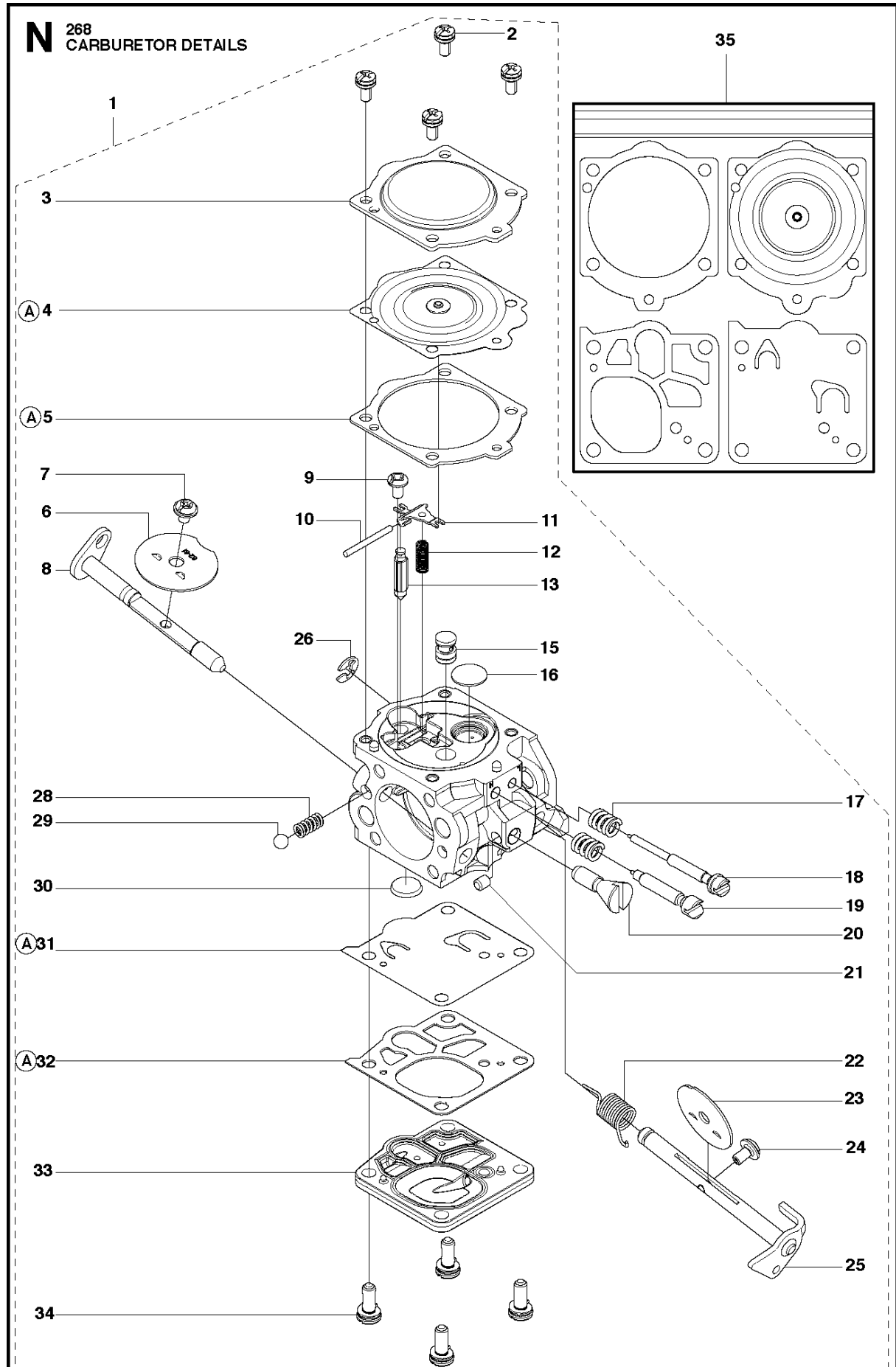
**G** 268  
CARBURETOR & AIR FILTER



## CARBURETOR &amp; AIR FILTER

268,2017-08

| Ref | Part No      | Description    | Remark | QTY KIT |
|-----|--------------|----------------|--------|---------|
| 1   | 503 44 69-01 | FILTER HOLDER  |        | 1       |
| 2   | 503 44 72-01 | AIR FILTER     |        | 1       |
| 2   | 503 44 72-04 | AIR FILTER     |        | 1       |
| 2   | 503 44 72-03 | AIR FILTER     |        | 1       |
| 3   | 503 44 71-02 | GASKET         |        | 1       |
| 4   | 503 44 67-01 | FILTER HOLDER  |        | 1       |
| 5   | 503 21 27-16 | SCREW CRPANT   |        | 4       |
| 6   | 503 44 68-01 | FILTER HOLDER  |        | 2       |
| 7   | 503 20 03-12 | SCREW IHSCFM   |        | 2       |
| 8   | 503 44 63-01 | CONSOLE        |        | 1       |
| 9   | 503 49 69-01 | SCREW          |        | 2       |
| 10  | 734 11 46-01 | WASHER         |        | 2       |
| 11  | 503 44 65-71 | FILTER HOLDER  |        | 1       |
| 12  | 503 44 51-01 | GUIDE BUSHING  |        | 1       |
| 13  | 574 33 16-01 | CARBURETTOR    |        | 1       |
| 14  | 501 29 64-02 | GASKET         |        | 1       |
| 15  | 501 80 66-02 | MANIFOLD       |        | 1       |
| 16  | 501 65 90-01 | SEALING COLLAR |        | 1       |
| 17  | 501 80 68-03 | GASKET         |        | 1       |



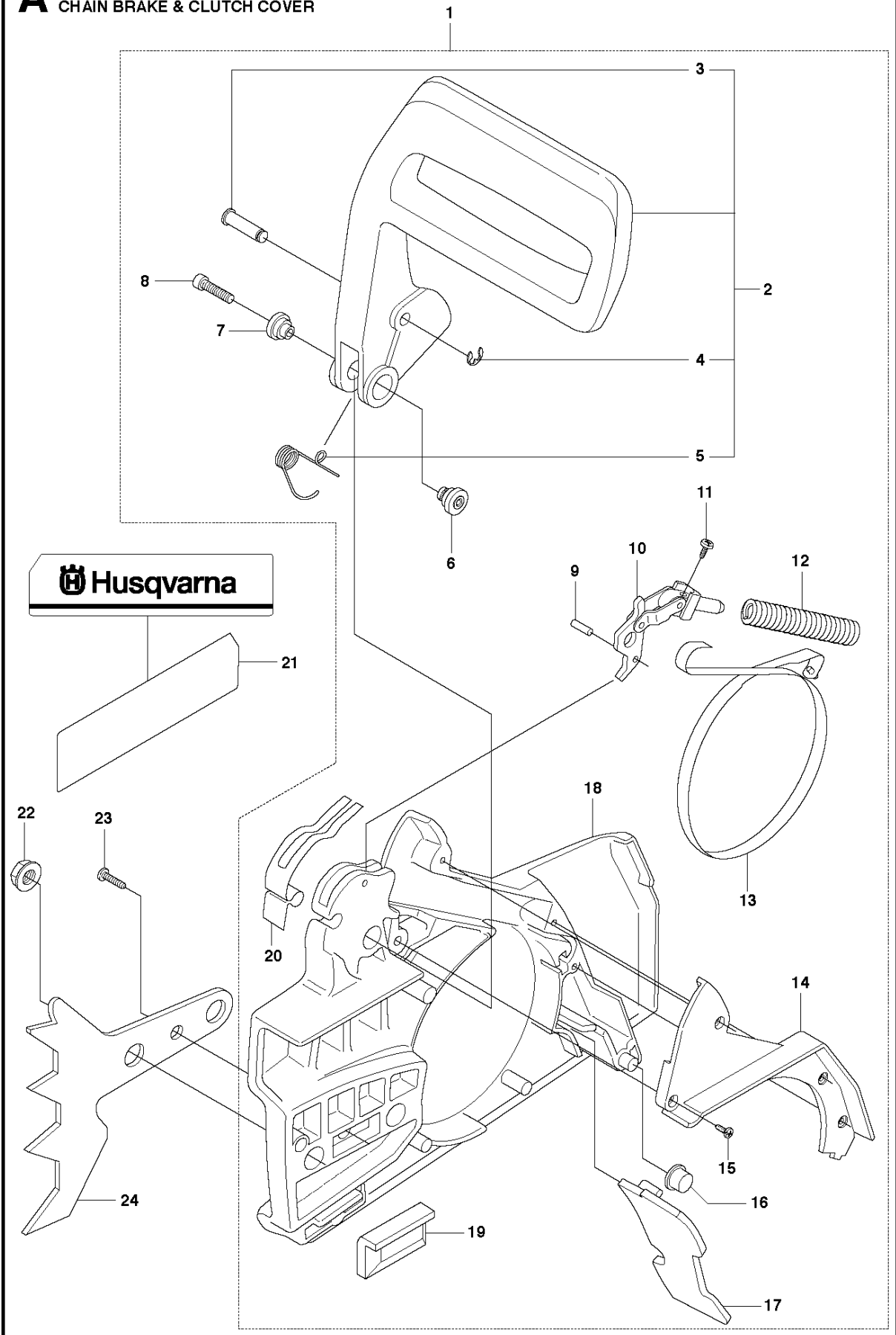


## CARBURETOR DETAILS

268,2017-08

| Ref | Part No      | Description        | Remark                        | QTY | KIT   |
|-----|--------------|--------------------|-------------------------------|-----|-------|
| 1   | 574 33 16-01 | CARBURETTOR        |                               | 1   |       |
| 2   | 503 10 87-01 | SCREW              |                               | 4   | 1     |
| 3   | 505 31 67-02 | COVER              |                               | 1   | 1     |
| 4   | 503 63 58-01 | DIAPHRAGM ASSY     |                               | 1   | 1, 35 |
| 5   | 501 46 75-01 | GASKET             |                               | 1   | 1, 35 |
| 6   | 505 31 67-07 | VALVE-CHOKE        |                               | 1   | 1     |
| 7   | 537 00 34-01 | SCREW              |                               | 1   | 1     |
| 8   | 502 52 59-01 | SHAFT ASSY         |                               | 1   | 1     |
| 9   | 505 31 67-17 | SCREW              |                               | 1   | 1     |
| 10  | 505 31 67-31 | PIN-METERING LEVER |                               | 1   | 1     |
| 11  | 505 31 67-34 | LEVER              |                               | 1   | 1     |
| 12  | 503 11 76-01 | SPRING             |                               | 1   | 1     |
| 13  | 503 11 70-01 | NEEDLE             |                               | 1   | 1     |
| 15  | 503 80 04-01 | NOZZLE             |                               | 1   | 1     |
| 16  | 503 57 41-01 | PLUG               |                               | 1   | 1     |
| 17  | 504 21 00-50 | SPRING             |                               | 2   | 1     |
| 18  | 503 48 37-01 | NEEDLE IDLE SPEED  | Low speed needle              | 1   | 1     |
| 19  | 502 52 65-01 | NEEDLE             | High speed needle             | 1   | 1     |
| 20  | 544 89 76-01 | SCREW              |                               | 1   | 1     |
| 21  | 503 80 05-01 | PLUG               |                               | 1   | 1     |
| 22  | 502 52 64-01 | SPRING             |                               | 1   | 1     |
| 23  | 574 33 17-01 | VALVE              |                               | 1   | 1     |
| 24  | 544 11 15-01 | SCREW              |                               | 1   | 1     |
| 25  | 502 52 58-01 | SHAFT ASSY         |                               | 1   | 1     |
| 28  | 503 11 77-01 | SPRING             |                               | 1   | 1     |
| 29  | 503 11 71-01 | BALL               |                               | 1   | 1     |
| 30  | 501 66 61-01 | SCREEN             |                               | 1   | 1     |
| 31  | 544 89 72-01 | DIAPHRAGM PUMP     |                               | 1   | 1, 35 |
| 32  | 503 11 72-01 | GASKET             |                               | 1   | 1, 35 |
| 33  | 503 59 58-01 | COVER              |                               | 1   | 1     |
| 34  | 503 11 75-01 | SCREW              |                               | 4   | 1     |
| 35  | 502 52 92-01 | GASKET KIT         | B2602-WJ, A = Set of Gasketes | 1   |       |
| 26  | 503 79 95-01 | RING               |                               | 1   | 1     |

**A** 268  
CHAIN BRAKE & CLUTCH COVER

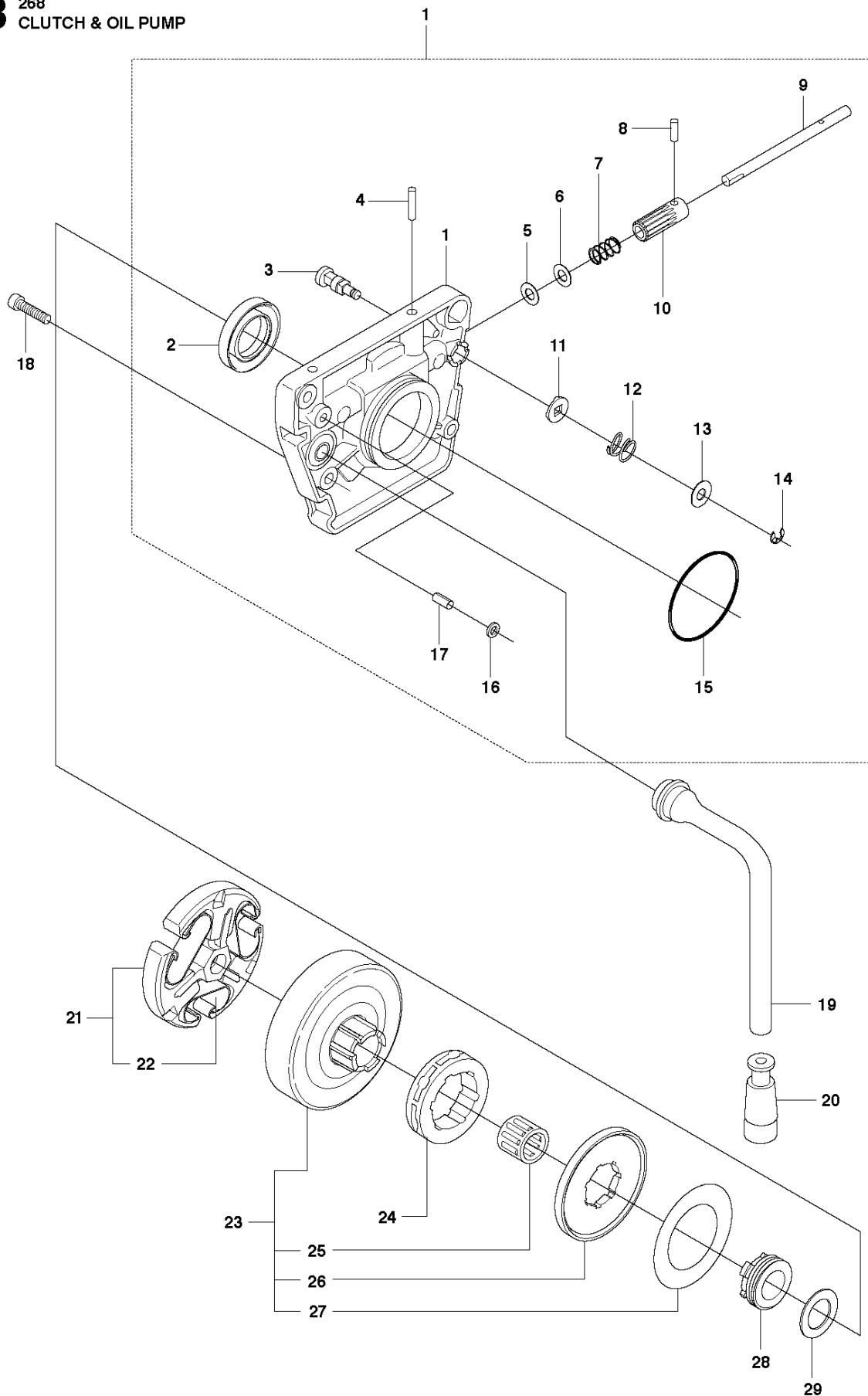


## CHAIN BRAKE &amp; CLUTCH COVER

268,2017-08

| Ref | Part No      | Description       | Remark | QTY | KIT  |
|-----|--------------|-------------------|--------|-----|------|
| 1   | 503 73 66-01 | CLUTCH COVER ASSY |        | 1   |      |
| 2   | 503 72 74-01 | HAND GUARD ASSY   |        | 1   | 1    |
| 3   | 503 80 27-01 | PIVOT PIN         |        | 1   | 2, 1 |
| 4   | 735 31 08-20 | E-CLIP            |        | 1   | 2, 1 |
| 5   | 506 16 48-01 | POSITION SPRING   |        | 1   | 2, 1 |
| 6   | 503 52 08-01 | SHAFT PIVOT       |        | 1   | 1    |
| 7   | 501 76 80-01 | SHAFT PIVOT       |        | 1   | 1    |
| 8   | 503 20 26-16 | SCREW IHSCM       |        | 1   | 1    |
| 9   | 720 12 33-51 | PARALLEL PIN      |        | 1   | 1    |
| 10  | 501 87 53-03 | KNEE JOINT        |        | 1   | 1    |
| 11  | 503 21 28-10 | SCREW CCRPANT     |        | 1   | 1    |
| 12  | 503 70 99-01 | BRAKE SPRING      |        | 1   | 1    |
| 13  | 503 70 40-02 | BRAKE BAND ASSY   |        | 1   | 1    |
| 14  | 503 70 47-01 | LID               |        | 1   | 1    |
| 15  | 503 21 28-10 | SCREW CCRPANT     |        | 4   | 1    |
| 16  | 503 72 31-01 | BUSHING           |        | 1   | 1    |
| 17  | 503 73 05-01 | CHIP GUARD        |        | 1   | 1    |
| 18  | 503 70 46-01 | CLUTCH COVER      |        | 1   | 1    |
| 19  | 501 51 72-01 | CHAIN GUIDE       |        | 1   | 1    |
| 20  | 501 87 47-01 | SPRING            |        | 1   | 1    |
| 21  | 503 76 81-01 | LABEL             |        | 1   |      |
| 22  | 503 22 00-01 | HEXAGON NUT       |        | 2   |      |
| 23  | 725 53 27-55 | SCREW IHSCM       |        | 1   |      |
| 24  | 503 59 07-01 | SPIKE OUTER       |        | 1   |      |

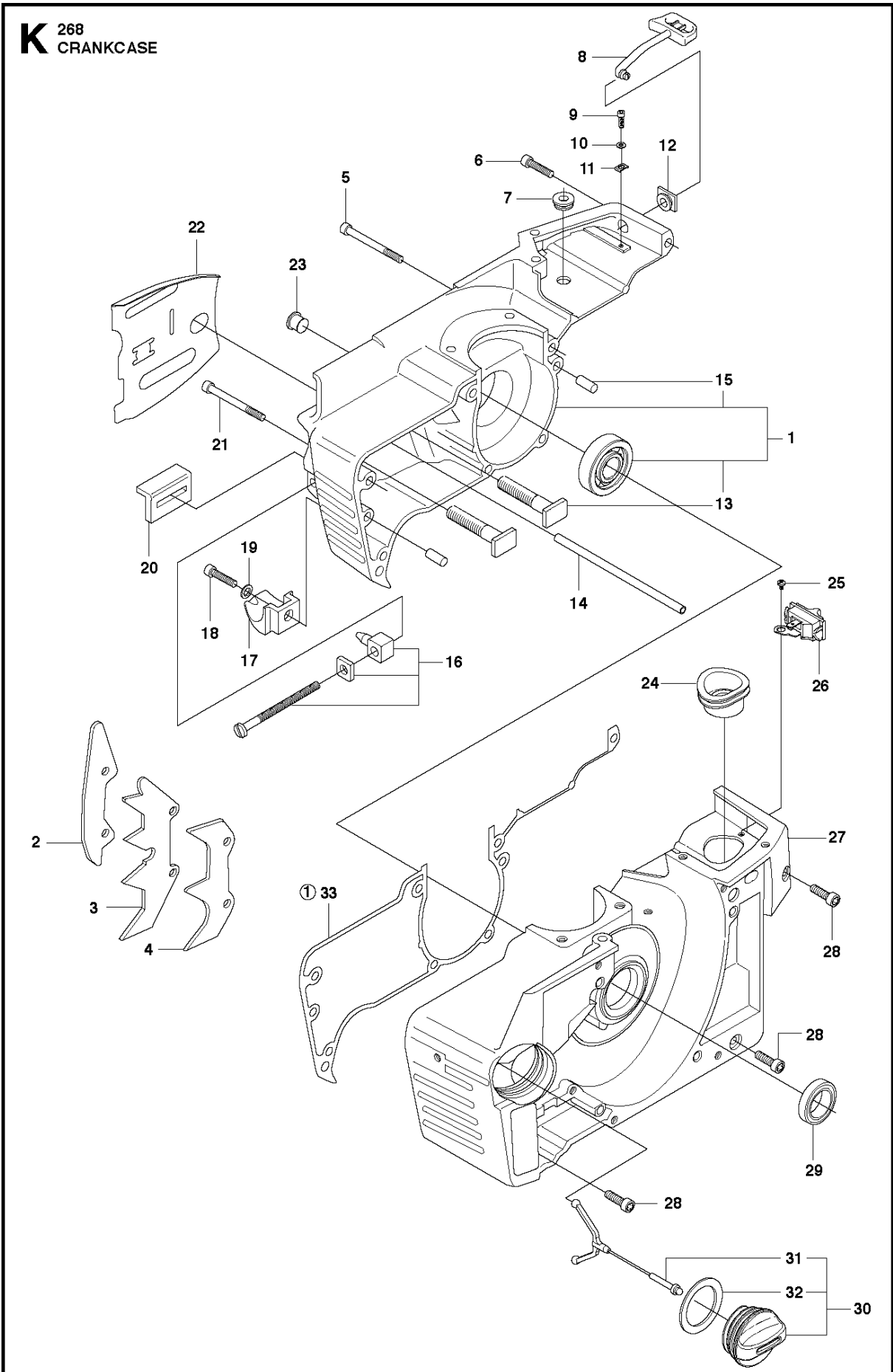
**B** 268  
CLUTCH & OIL PUMP



## CLUTCH &amp; OIL PUMP

268,2017-08

| Ref | Part No      | Description          | Remark | QTY | KIT |
|-----|--------------|----------------------|--------|-----|-----|
| 1   | 501 51 25-01 | OIL PUMP ASSY        |        | 1   |     |
| 2   | 503 26 02-04 | SEALING RING         |        | 1   | 1   |
| 3   | 501 51 36-01 | ADJUSTMENT SCREW     |        | 1   | 1   |
| 4   | 720 12 37-50 | PARALLEL PIN         |        | 1   | 1   |
| 5   | 503 23 10-01 | WASHER               |        | 1   | 1   |
| 6   | 503 23 00-16 | WASHER               |        | 1   | 1   |
| 7   | 501 51 34-01 | SPRING               |        | 1   | 1   |
| 8   | 501 51 33-01 | STOP SCREW           |        | 1   | 1   |
| 9   | 501 51 32-01 | SHAFT                |        | 1   | 1   |
| 10  | 501 51 31-01 | GEAR WHEEL           |        | 1   | 1   |
| 11  | 501 51 37-01 | FIXING WASHER        |        | 1   | 1   |
| 12  | 501 51 39-01 | SPRING               |        | 1   | 1   |
| 13  | 734 48 48-01 | WASHER               |        | 1   | 1   |
| 14  | 735 31 07-20 | E-CLIP               |        | 1   | 1   |
| 15  | 740 42 21-00 | O-RING               |        | 1   | 1   |
| 16  | 501 28 85-01 | X-RING 2.9X6.46X1.78 |        | 1   | 1   |
| 17  | 721 42 03-25 | PINNE FRP-LS3X6 OXSV |        | 1   | 1   |
| 18  | 725 52 93-56 | SCREW IHSCM          |        | 3   |     |
| 19  | 501 51 99-01 | OIL HOSE             |        | 1   |     |
| 20  | 501 54 41-02 | OIL SCREEN           |        | 1   |     |
| 21  | 503 74 44-02 | CLUTCH ASSY          |        | 1   |     |
| 22  | 537 36 06-01 | CLUTCH SPRING        |        | 3   | 21  |
| 23  | 501 83 15-03 | CLUTCH DRUM ASSY     |        | 1   |     |
| 23  | 501 83 15-04 | CLUTCH DRUM ASSY     |        | 1   |     |
| 24  | 505 30 36-61 | RIM                  |        | 1   |     |
| 24  | 501 59 80-02 | RIM                  |        | 1   |     |
| 25  | 503 25 34-01 | NEEDLE BEARING       |        | 1   | 23  |
| 26  | 501 83 17-01 | WASHER               |        | 1   | 23  |
| 27  | 501 53 59-01 | WASHER               |        | 1   | 23  |
| 28  | 501 51 38-01 | GEAR WHEEL           |        |     |     |
| 29  | 503 23 00-13 | WASHER               |        |     |     |

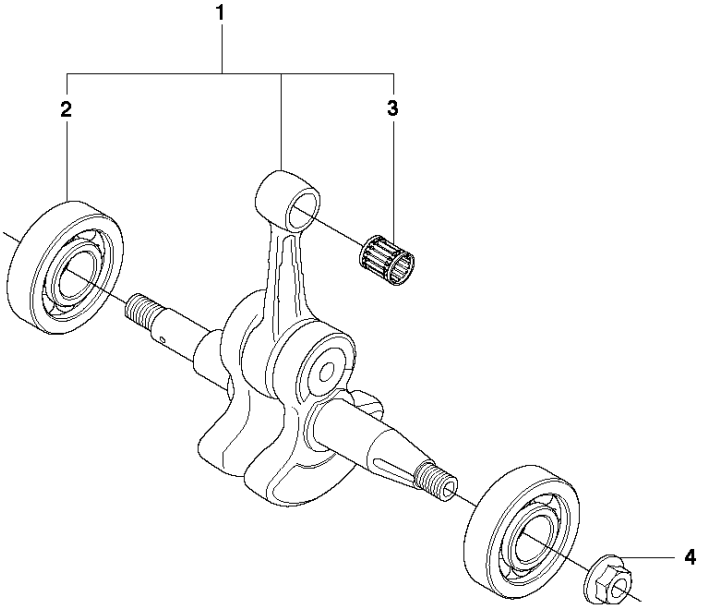


## CRANKCASE

268,2017-08

| Ref | Part No      | Description         | Remark | QTY | KIT |
|-----|--------------|---------------------|--------|-----|-----|
| 1   | 501 77 99-01 | CRANKCASE ASSY      |        | 1   |     |
| 2   | 503 44 57-01 | SPIKE               |        | 1   |     |
| 3   | 503 59 08-01 | INDRE BARKSTØD      |        | 1   |     |
| 4   | 501 52 81-01 | SPIKE               |        | 1   |     |
| 5   | 725 53 37-55 | SCREW IHSCM         |        | 4   |     |
| 6   | 725 53 31-55 | SCREW IHSCM         |        | 1   |     |
| 7   | 503 69 76-01 | GROMMET             |        | 1   |     |
| 8   | 501 52 79-02 | CHOKE CONTROL       |        | 1   |     |
| 9   | 725 52 93-56 | SCREW IHSCM         |        | 1   |     |
| 10  | 503 23 00-01 | WASHER              |        | 1   |     |
| 11  | 503 44 64-01 | BASE                |        | 1   |     |
| 12  | 501 52 78-01 | GROMMET             |        | 1   |     |
| 13  | 501 81 57-01 | BAR BOLT            |        | 2   | 1   |
| 14  | 503 66 84-03 | TANK VENT ASSY      |        | 1   |     |
| 15  | 720 13 07-10 | PARALLEL PIN        |        | 2   | 1   |
| 16  | 501 53 71-01 | CHAIN TENSIONER KIT |        | 1   |     |
| 17  | 503 53 58-01 | CHAIN CATCHER       |        | 1   |     |
| 18  | 725 53 27-55 | SCREW IHSCM         |        | 1   |     |
| 19  | 503 23 00-42 | WASHER              |        | 1   |     |
| 20  | 501 51 72-01 | CHAIN GUIDE         |        | 1   |     |
| 21  | 725 53 41-55 | SCREW IHSCM         |        | 2   |     |
| 22  | 501 81 48-01 | PROTECTIVE PLATE    |        | 1   |     |
| 23  | 503 27 90-04 | PLUG                |        | 1   |     |
| 24  | 503 44 50-01 | BELLOWS             |        | 1   |     |
| 25  | 503 21 28-06 | SCREW CCRPANT       |        | 1   |     |
| 26  | 503 71 79-01 | STOP SWITCH         |        | 1   |     |
| 27  | 501 77 99-01 | CRANKCASE ASSY      |        | 1   |     |
| 28  | 725 53 27-55 | SCREW IHSCM         |        | 6   |     |
| 29  | 503 26 02-04 | SEALING RING        |        | 1   |     |
| 30  | 501 62 66-02 | TANK                |        | 1   |     |
| 31  | 503 57 89-01 | HOLDER              |        | 1   | 30  |
| 32  | 501 62 68-01 | GASKET              |        | 1   | 30  |
| 33  | 501 52 26-04 | GASKET KIT          |        | 1   |     |

**J** 268  
CRANKSHAFT



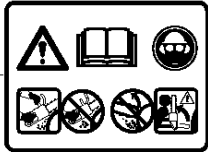
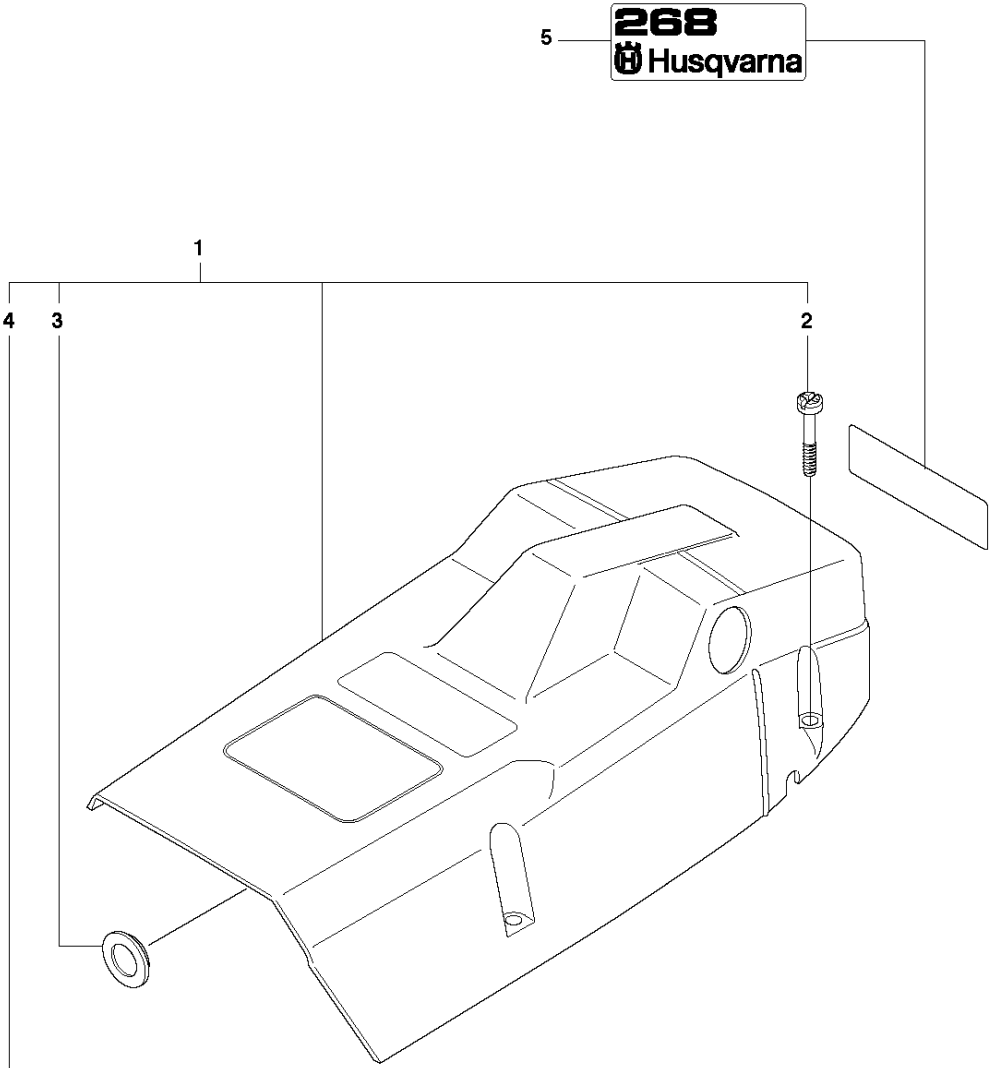


CRANKSHAFT

268,2017-08

| Ref | Part No      | Description     | Remark | QTY | KIT |
|-----|--------------|-----------------|--------|-----|-----|
| 1   | 503 61 33-71 | CRANKSHAFT ASSY |        | 1   |     |
| 2   | 544 06 86-01 | BALL BEARING    |        | 2   | 1   |
| 3   | 577 57 24-01 | NEEDLE BEARING  |        | 1   | 1   |
| 4   | 503 22 04-01 | NUT             |        | 1   |     |

**C** 268  
COVER

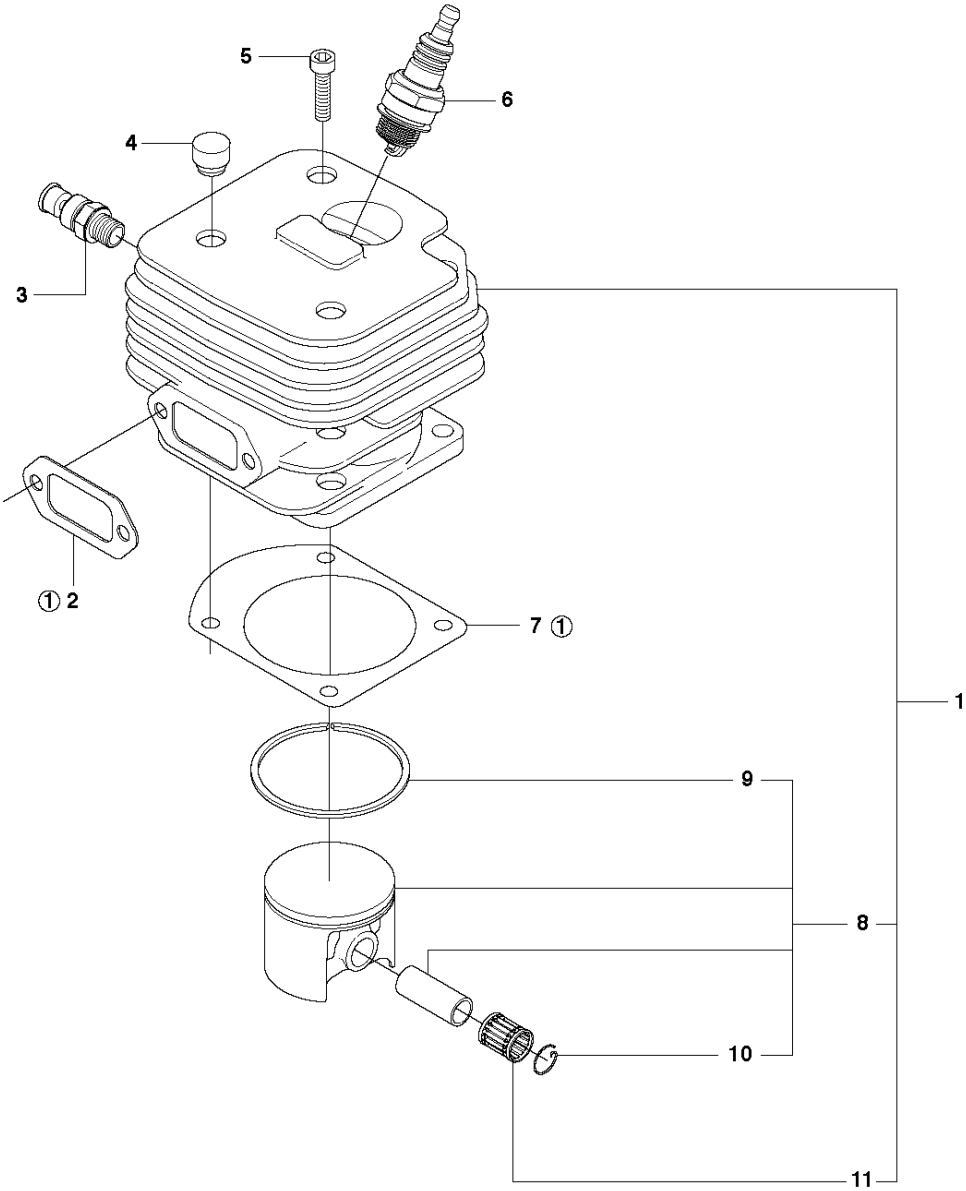


CYLINDER COVER

268,2017-08

| Ref | Part No      | Description         | Remark | QTY | KIT |
|-----|--------------|---------------------|--------|-----|-----|
| 1   | 503 40 60-02 | CYLINDER COVER ASSY |        | 1   |     |
| 2   | 503 20 32-28 | SCREW CCRPANMO      |        | 4   | 1   |
| 3   | 503 40 59-01 | WINTER PLUG         |        | 1   | 1   |
| 4   | 503 98 74-01 | LABEL               |        | 1   | 1   |
| 6   | 503 66 28-10 | DECAL               |        | 1   |     |

**H1** 268  
CYLINDER PISTON

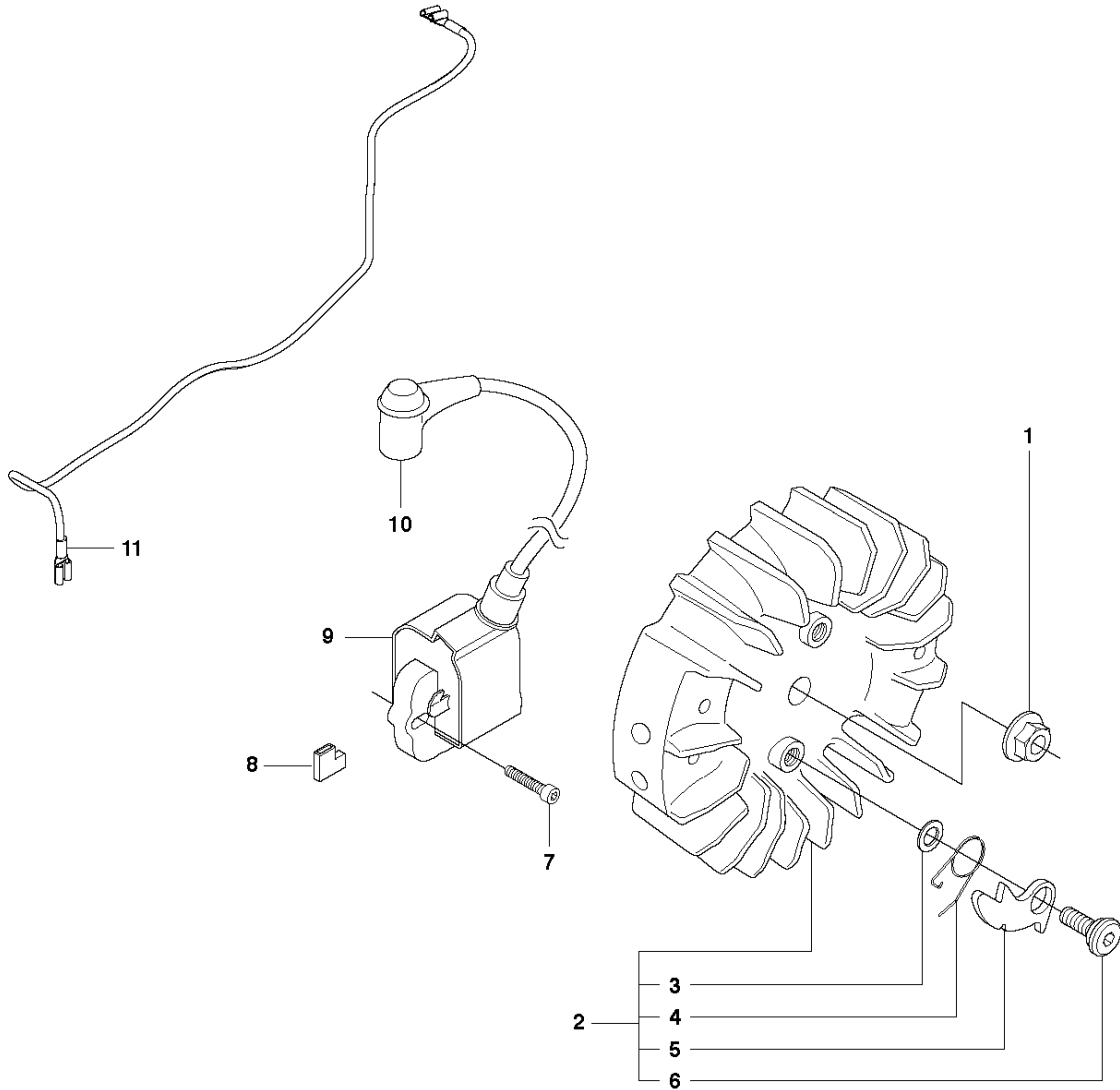


## CYLINDER PISTON

268,2017-08

| Ref | Part No      | Description         | Remark | QTY KIT |      |
|-----|--------------|---------------------|--------|---------|------|
| 1   | 544 22 29-02 | CYLINDER ASSY       | ø 50   | 1       |      |
| 2   | 503 40 54-01 | GASKET              |        | 1       |      |
| 3   | 503 71 53-01 | DECOMPRESSION VALVE |        | 1       |      |
| 4   | 501 51 54-01 | SUPPORT             |        | 1       |      |
| 5   | 503 21 60-25 | SCREW               |        | 4       |      |
| 6   | 503 23 51-08 | SPARK PLUG          |        | 1       |      |
| 7   | 501 51 22-04 | GASKET              |        | 1       |      |
| 8   | 544 22 39-03 | PISTON ASSY         | ø 50   | 1       | 1    |
| 9   | 503 28 90-17 | PISTON RING         |        | 1       | 8, 1 |
| 10  | 737 43 12-00 | SNAP RING           |        | 2       | 8, 1 |
| 11  | 577 57 24-01 | NEEDLE BEARING      |        | 1       | 1    |

**E** 268  
ELECTRICAL

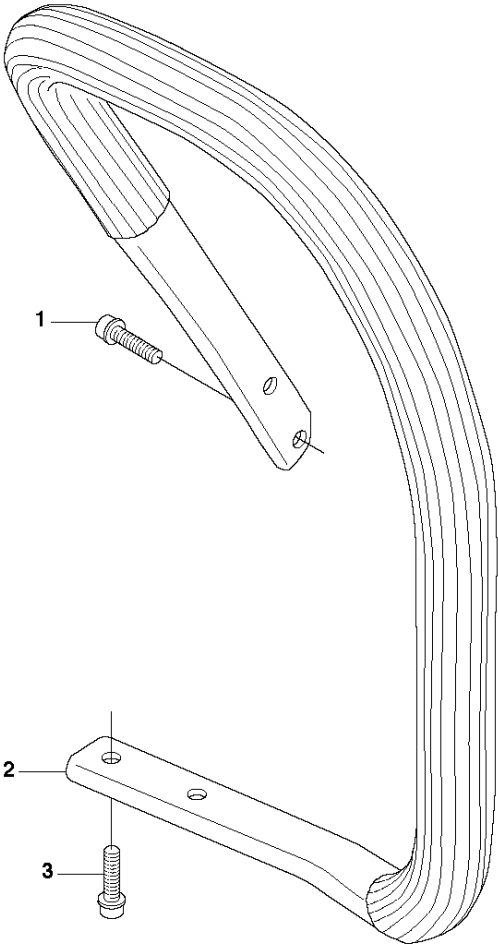


## ELECTRICAL

268,2017-08

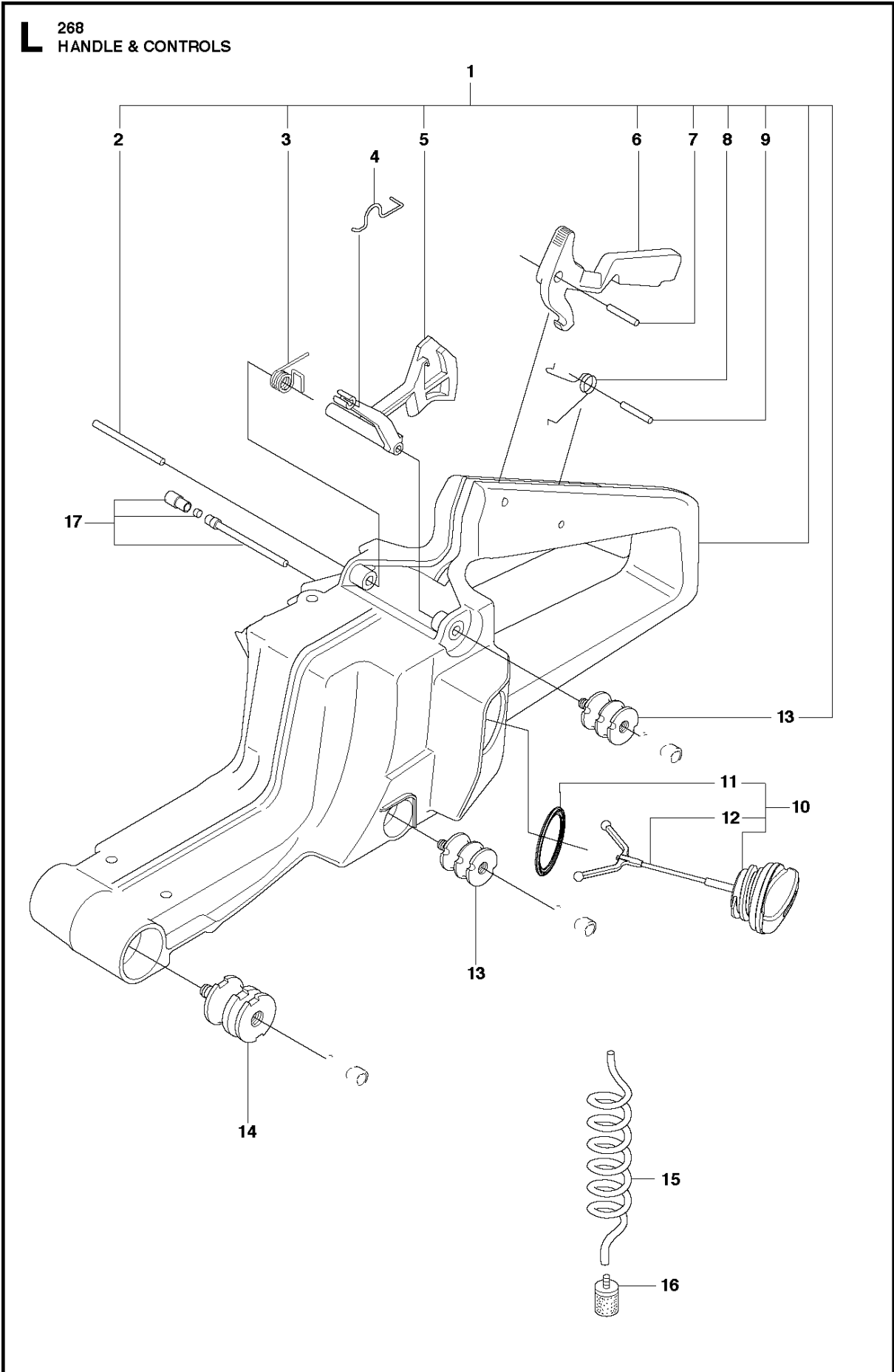
| Ref | Part No      | Description     | Remark | QTY | KIT |
|-----|--------------|-----------------|--------|-----|-----|
| 1   | 503 22 04-01 | NUT             |        | 1   |     |
| 2   | 537 05 16-02 | FLYWHEEL ASSY   |        | 1   |     |
| 3   | 501 67 35-01 | SPRING          |        | 2   | 2   |
| 4   | 503 23 00-42 | WASHER          |        | 2   | 2   |
| 5   | 501 67 32-01 | PAWL            |        | 2   | 2   |
| 6   | 501 81 99-01 | SCREW           |        | 2   | 2   |
| 7   | 503 20 25-20 | SCREW IHSCM     |        | 2   |     |
| 8   | 503 23 72-02 | INSULATING CAP  |        | 1   |     |
| 9   | 587 32 96-01 | IGNITION MODULE |        | 1   |     |
| 10  | 501 48 54-02 | SPARK PLUG CAP  |        | 1   |     |
| 11  | 501 83 98-01 | CABLE           |        | 1   |     |

**M** 268  
HANDLE





| Ref | Part No      | Description       | Remark | QTY KIT |
|-----|--------------|-------------------|--------|---------|
| 1   | 503 21 06-22 | SCREW IHSCT       |        | 2       |
| 2   | 501 53 45-03 | FRONT HANDLE ASSY |        | 1       |
| 3   | 503 21 06-22 | SCREW IHSCT       |        | 2       |

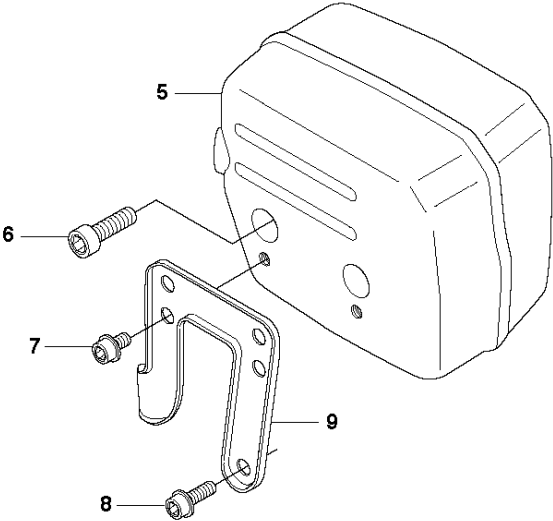
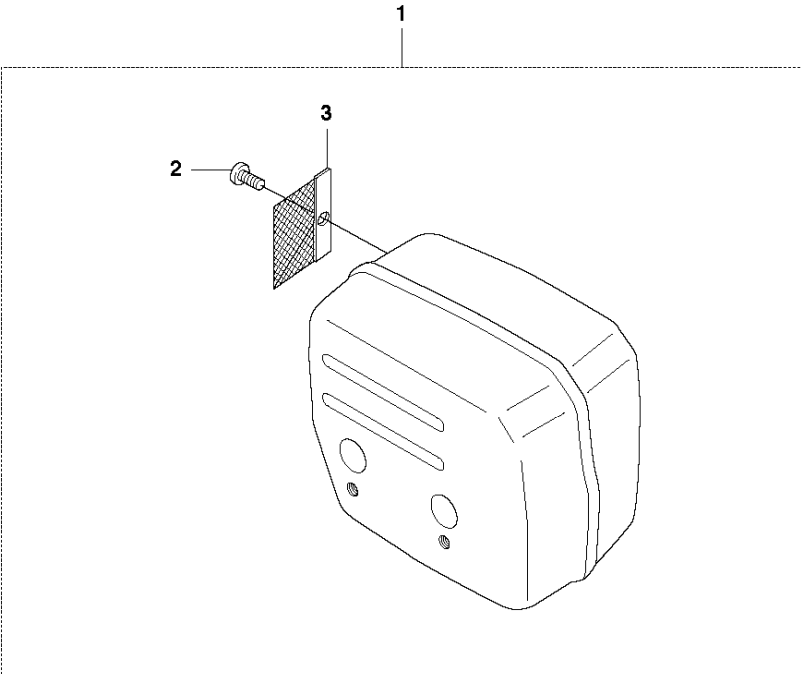


## HANDLE &amp; CONTROLS

268,2017-08

| Ref | Part No      | Description           | Remark                        | QTY | KIT |
|-----|--------------|-----------------------|-------------------------------|-----|-----|
| 1   | 501 69 90-10 | FUEL TANK ASSY        |                               | 1   |     |
| 2   | 501 51 97-02 | ROD                   |                               | 1   | 1   |
| 3   | 501 52 88-01 | RECOIL SPRING         |                               | 1   | 1   |
| 4   | 503 44 58-01 | THROTTLE WIRE         |                               | 1   |     |
| 5   | 501 51 80-02 | THROTTLE LEVER        |                               | 1   | 1   |
| 6   | 501 51 81-02 | THROTTLE LOCKOUT      |                               | 1   | 1   |
| 7   | 721 42 12-26 | SPRING PIN            |                               | 1   | 1   |
| 8   | 501 42 41-01 | SPRING                |                               | 1   | 1   |
| 9   | 721 42 12-26 | SPRING PIN            |                               | 1   | 1   |
| 10  | 501 43 14-02 | TANK CAP ASSY         |                               | 1   |     |
| 11  | 501 27 82-01 | GASKET                |                               | 1   |     |
| 12  | 503 57 89-01 | HOLDER                |                               | 1   |     |
| 13  | 501 77 34-01 | ANTIVIBRATION ELEMENT | Soft, 2 pcs included in kit 1 | 4   | 1   |
| 13  | 501 62 87-01 | ANTIVIBRATION ELEMENT | Hard                          | 4   |     |
| 14  | 501 77 35-01 | ANTIVIBRATION ELEMENT | Soft                          | 2   |     |
| 14  | 501 69 94-01 | ANTIVIBRATION ELEMENT | Hard                          | 2   |     |
| 15  | 581 75 62-01 | FUEL HOSE             |                               | 1   |     |
| 16  | 503 44 32-01 | FUEL FILTER           |                               | 1   |     |
| 17  | 501 62 96-01 | TANK VENT             |                               | 1   |     |

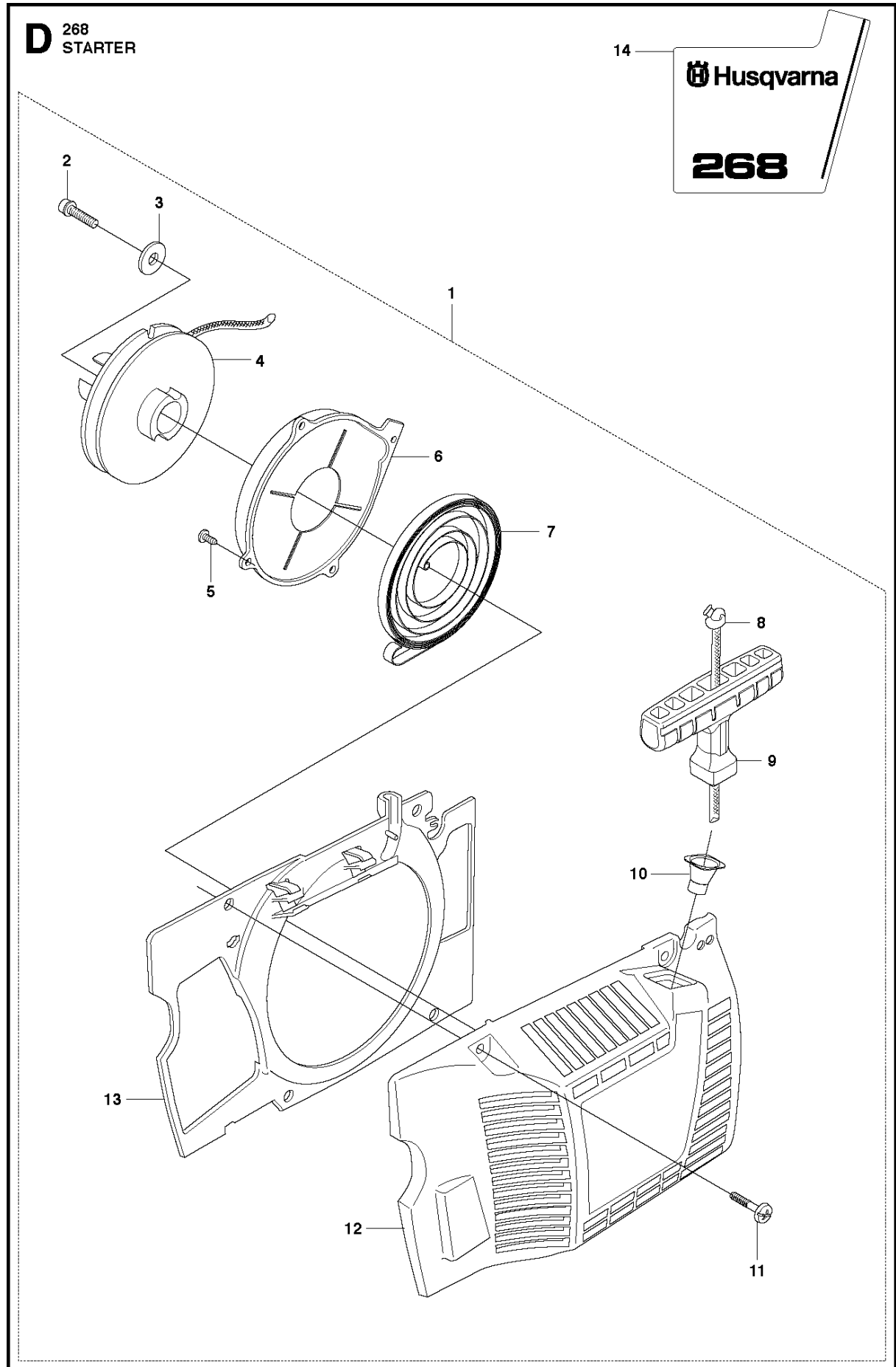
**F** 268  
MUFFLER



## MUFFLER

268,2017-08

| Ref | Part No      | Description           | Remark | QTY KIT |   |
|-----|--------------|-----------------------|--------|---------|---|
| 1   | 503 59 92-06 | MUFFLER ASSY          | FF     | 1       |   |
| 1   | 503 59 92-05 | MUFFLER ASSY          | DF     | 1       |   |
| 2   | 724 12 87-59 | SCREW CRPANM          |        | 1       | 1 |
| 3   | 503 66 91-01 | SPARK ARRESTER SCREEN |        | 1       | 1 |
| 5   | 503 47 69-01 | MUFFLER ASSY          |        | 1       |   |
| 6   | 725 53 70-55 | SCREW IHSCM           |        | 2       |   |
| 7   | 503 20 02-10 | SCREW IHSCFM          |        | 2       |   |
| 8   | 503 20 02-16 | SCREW IHSCFM          |        | 1       |   |
| 9   | 590 47 60-01 | SUPPORT PLATE         |        | 1       |   |



## STARTER

268,2017-08

| Ref | Part No      | Description     | Remark | QTY | KIT |
|-----|--------------|-----------------|--------|-----|-----|
| 1   | 503 61 55-71 | STARTER ASSY    |        | 1   |     |
| 2   | 503 21 49-72 | SCREW IHSCFT    |        | 1   | 1   |
| 3   | 503 23 43-02 | WASHER          |        | 1   | 1   |
| 4   | 503 10 24-05 | STARTER PULLEY  |        | 1   | 1   |
| 5   | 503 21 28-06 | SCREW CCRPANT   |        | 2   | 1   |
| 6   | 501 52 95-02 | GUARD RING      |        | 1   | 1   |
| 7   | 501 52 04-02 | RECOIL SPRING   |        | 1   | 1   |
| 8   | 501 20 15-02 | STARTER CORD    |        | 1   | 1   |
| 9   | 503 54 39-01 | STARTER HANDLE  |        | 1   | 1   |
| 10  | 501 63 06-01 | SLEEVE          |        | 1   | 1   |
| 11  | 503 20 34-16 | SCREW CCRPANMO  |        | 4   | 1   |
| 12  | 503 61 56-01 | STARTER HOUSING |        | 1   | 1   |
| 13  | 501 65 92-01 | AIR CONDUCTOR   |        | 1   | 1   |
| 14  | 503 62 39-02 | LABEL           |        | 1   |     |

# Illustrated Parts List - IPL Update



Product Name(s)

**268**

Description of change

1. New Support plate to muffler in stronger material.

Comments

Fully interchangeable

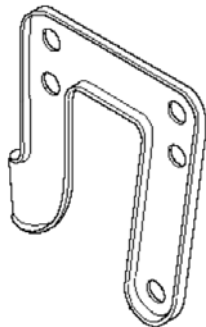
Introduced from

| Serial number / Date | Remark                      |
|----------------------|-----------------------------|
| 20171426548 -        | Support plate. 590 47 60-01 |
|                      |                             |
|                      |                             |

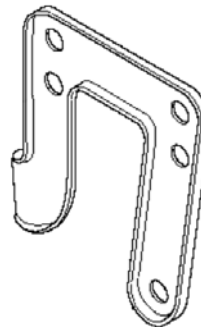
IPL updates

| Page Title | Ref. No | New part no  | Name          | Excl. part no. | Remark |
|------------|---------|--------------|---------------|----------------|--------|
| Muffler    | 9       | 590 47 60-01 | Support plate | 503 53 59-01   |        |
|            |         |              |               |                |        |
|            |         |              |               |                |        |
|            |         |              |               |                |        |

## 1. Muffler



590 47 60-01



503 53 59-01