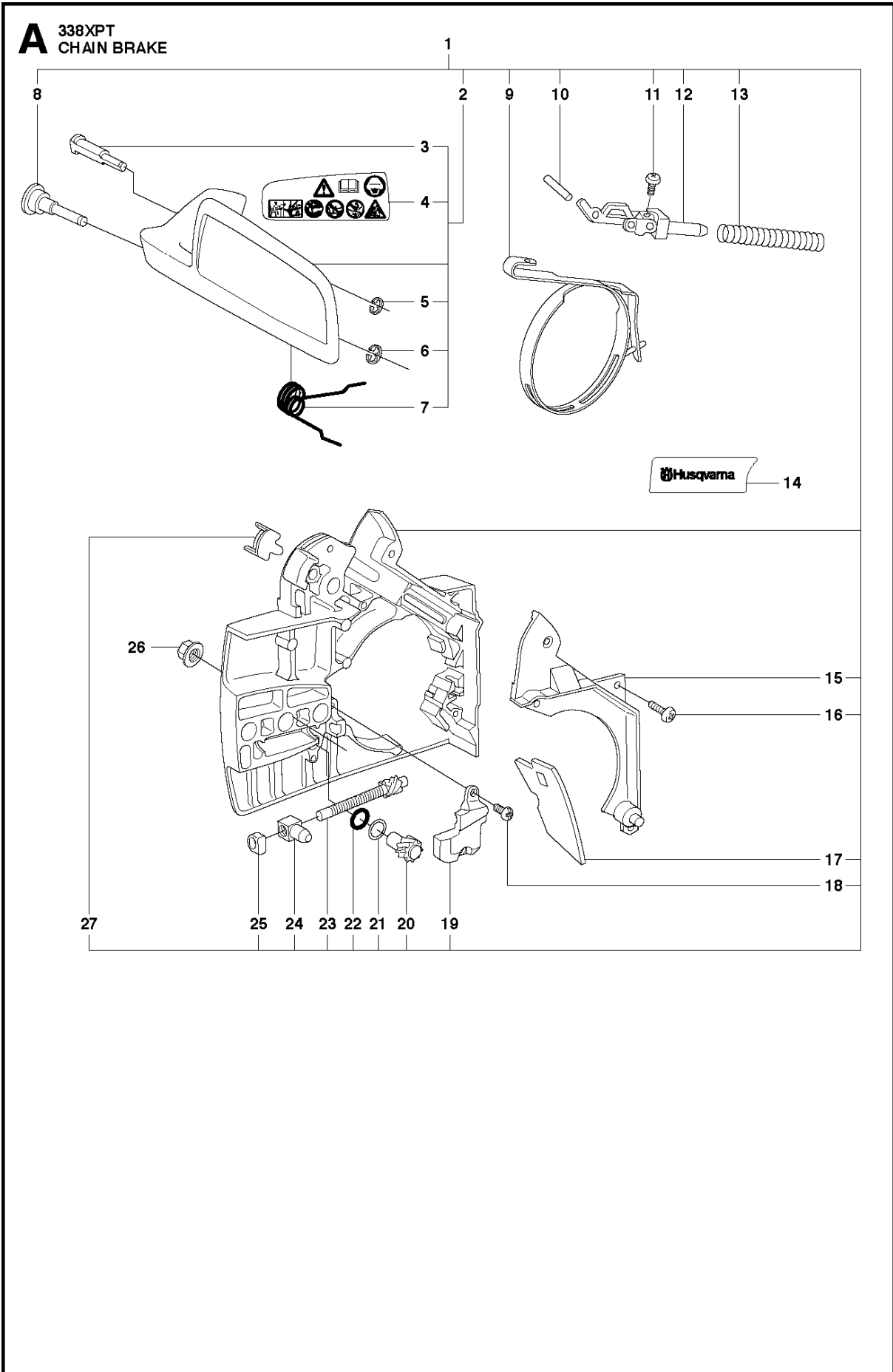




# SPARE PARTS LIST

CHAIN SAWS

338 XPT, 2010-02

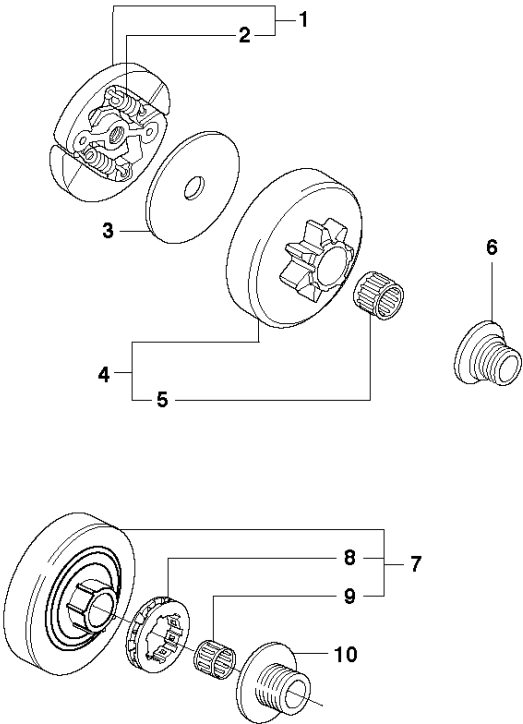


## CHAIN BRAKE

338 XPT, 2010-02

Ref	Part No	Description	Remark	QTY	KIT
1	503 93 52-05	BRAKE ASSY		1	
2	544 01 36-04	HAND GUARD ASSY		1	1
3	503 85 46-01	PIVOT PIN		1	1, 2
4	544 92 71-01	LABEL		1	1, 2
5	735 31 08-20	E-CLIP		1	1, 2
6	735 31 10-20	E-CLIP		1	1, 2
7	537 09 28-02	POSITION SPRING		1	1, 2
8	503 81 71-01	SHAFT PIVOT		1	1
9	503 80 97-03	BRAKE BAND ASSY		1	1
10	720 12 33-00	PARALLEL PIN		1	1
11	503 21 28-10	SCREW CCRPANT		1	1
12	501 87 53-01	KNEE JOINT ASSY		1	1
13	503 90 83-01	BRAKE SPRING		1	1
14	537 42 95-01	LABEL		1	
15	503 80 52-01	HUB CAP		1	1
16	503 21 28-10	SCREW CCRPANT		4	1
17	503 85 51-01	CHIP GUARD		1	1
18	503 21 28-10	SCREW CCRPANT		2	1
19	537 39 69-01	COVER LID		1	1
20	537 07 94-02	WORM WHEEL		1	1
21	503 23 00-63	WASHER		1	1
22	740 48 07-02	O-RING		1	1
23	537 39 70-01	WORM SCREW		1	1
24	588 85 03-01	PIN		1	1
25	537 01 74-01	BEARING SLEEVE		1	1
26	503 22 00-01	HEXAGON NUT		1	
27	503 86 20-01	SPRING GUIDE		1	1

**B** 338XPT  
CLUTCH

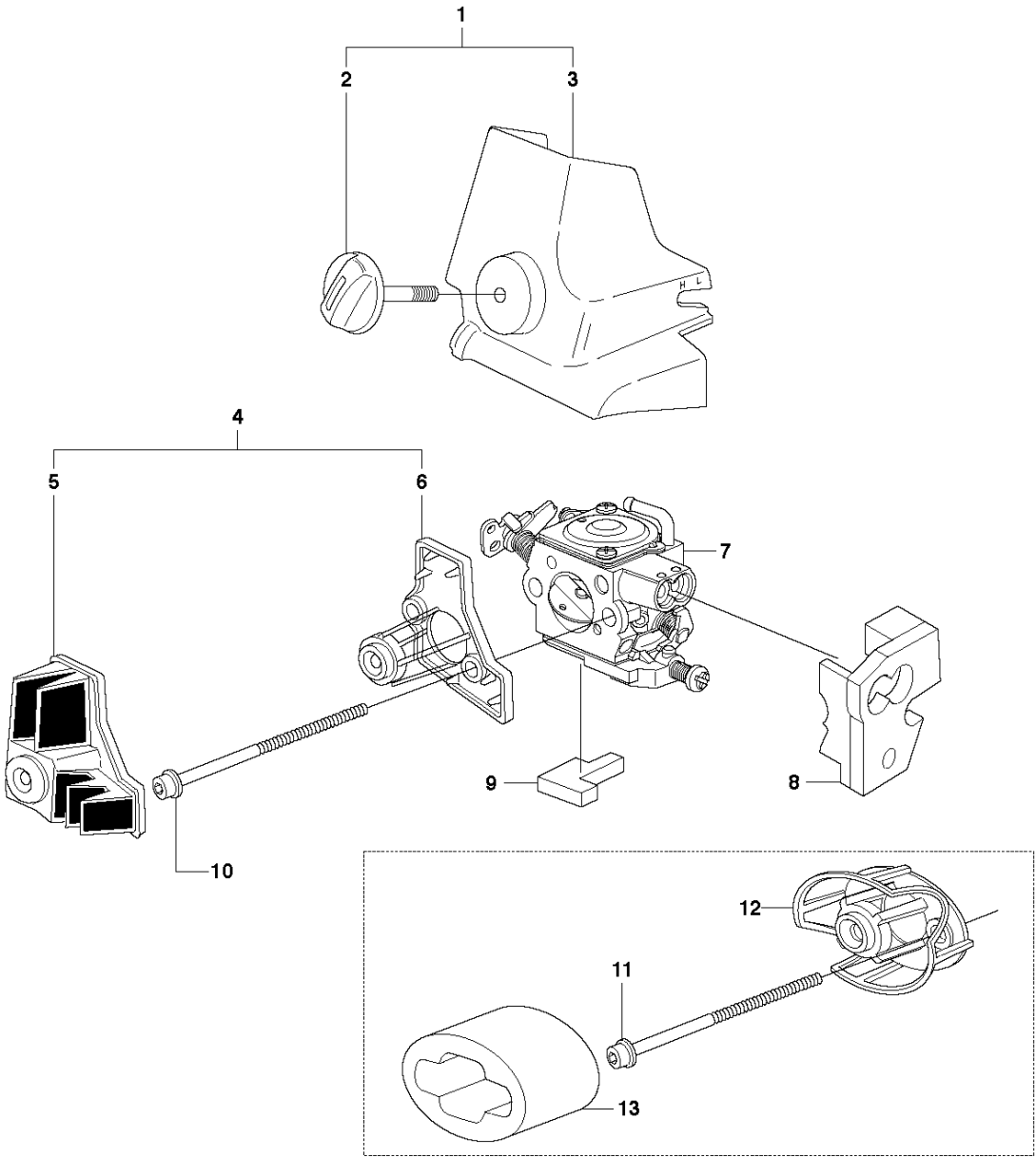


## CLUTCH

338 XPT, 2010-02

Ref	Part No	Description	Remark	QTY KIT
1	503 71 40-03	CLUTCH ASSY		1
2	503 74 95-01	CLUTCH SPRING		1
3	503 52 12-04	WASHER		1
4	503 82 22-71	CLUTCH DRUM ASSY	"3/8""	1
5	503 25 46-01	NEEDLE BEARING		1
6	503 78 92-01	PUMP PINION	"3/8""	1
7	537 32 60-02	CLUTCH DRUM ASSY	.325x7	1
8	501 45 74-02	RIM		1
9	503 25 46-01	NEEDLE BEARING		1
10	503 78 92-04	PUMP PINION	.325x7	1

**C** 338XPT  
CARBURETTOR & AIR FILTER/FILTER COVER

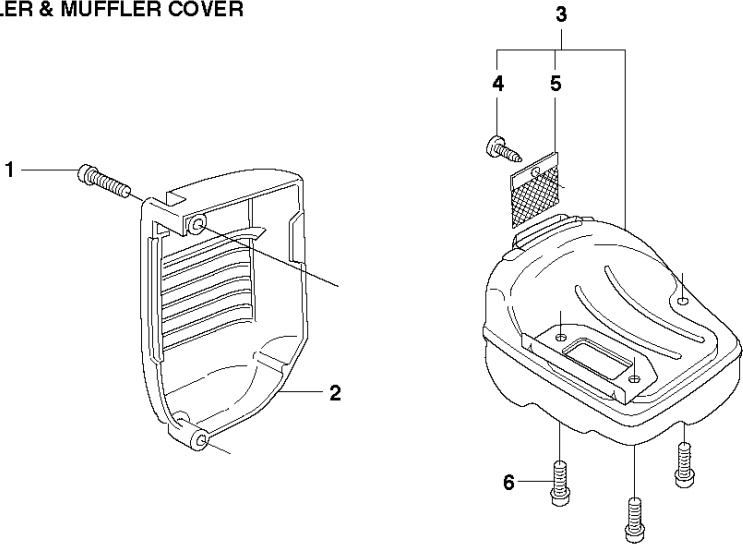


## CARBURETOR &amp; AIR FILTER

338 XPT, 2010-02

Ref	Part No	Description	Remark	QTY	KIT
1	503 79 26-04	AIR FILTER COVER		1	
2	537 21 32-10	KNOB		1	1
3	503 82 09-04	AIR FILTER COVER		1	1
4	537 02 15-02	AIR FILTER ASSY	80?	1	
4	537 02 15-01	AIR FILTER ASSY	52?	1	
5	503 96 72-02	AIR FILTER	80?	1	4
5	503 96 72-01	AIR FILTER	52?	1	4
6	503 96 71-02	AIR FILTER BOTTOM		1	4
6	503 96 71-01	AIR FILTER BOTTOM		1	4
7	544 16 09-01	CARBURETTOR	Zama C1Q-EL33A	1	
8	537 33 28-02	SEALING		1	
9	537 24 19-02	SEALING		1	
10	503 21 75-50	SCREW IHSCFT		2	
11	503 21 75-50	SCREW IHSCFT		2	
12	503 82 29-01	FILTER HOLDER		1	
13	503 84 49-01	AIR FILTER		1	

**D** 338XPT  
MUFFLER & MUFFLER COVER



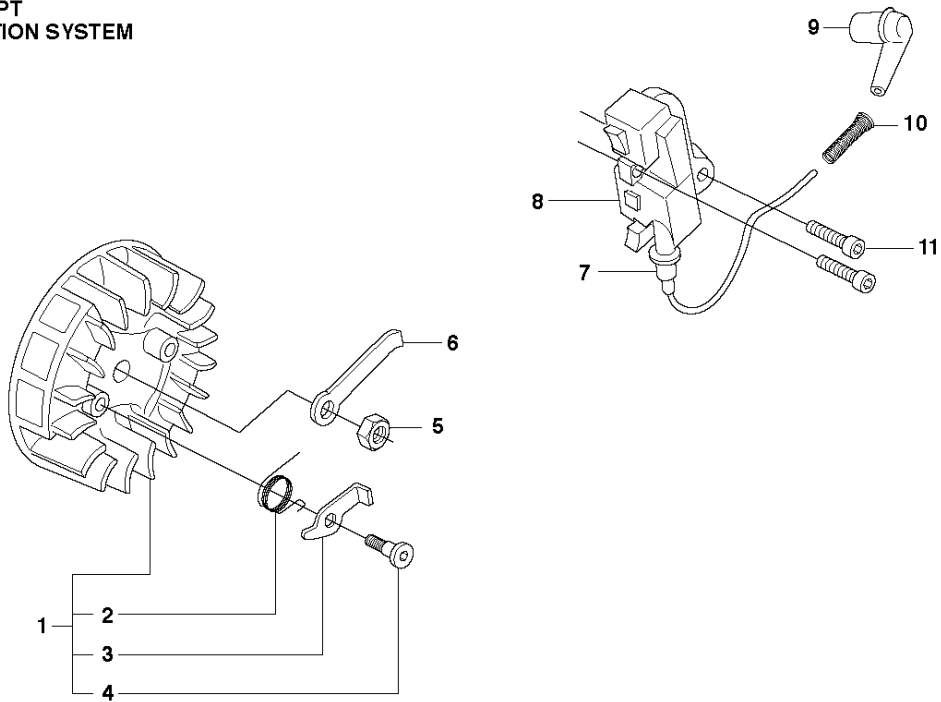


## MUFFLER

338 XPT, 2010-02

Ref	Part No	Description	Remark	QTY	KIT
1	503 21 58-25	SCREW CIHSCTO		2	
2	503 81 14-02	MUFFLER COVER		1	
3	503 93 03-03	MUFFLER ASSY		1	
4	724 12 87-59	SCREW CRPANM		1	3
5	503 82 17-01	SPARK ARRESTER SCREEN		1	3
6	503 20 02-16	SCREW IHSCFM		3	

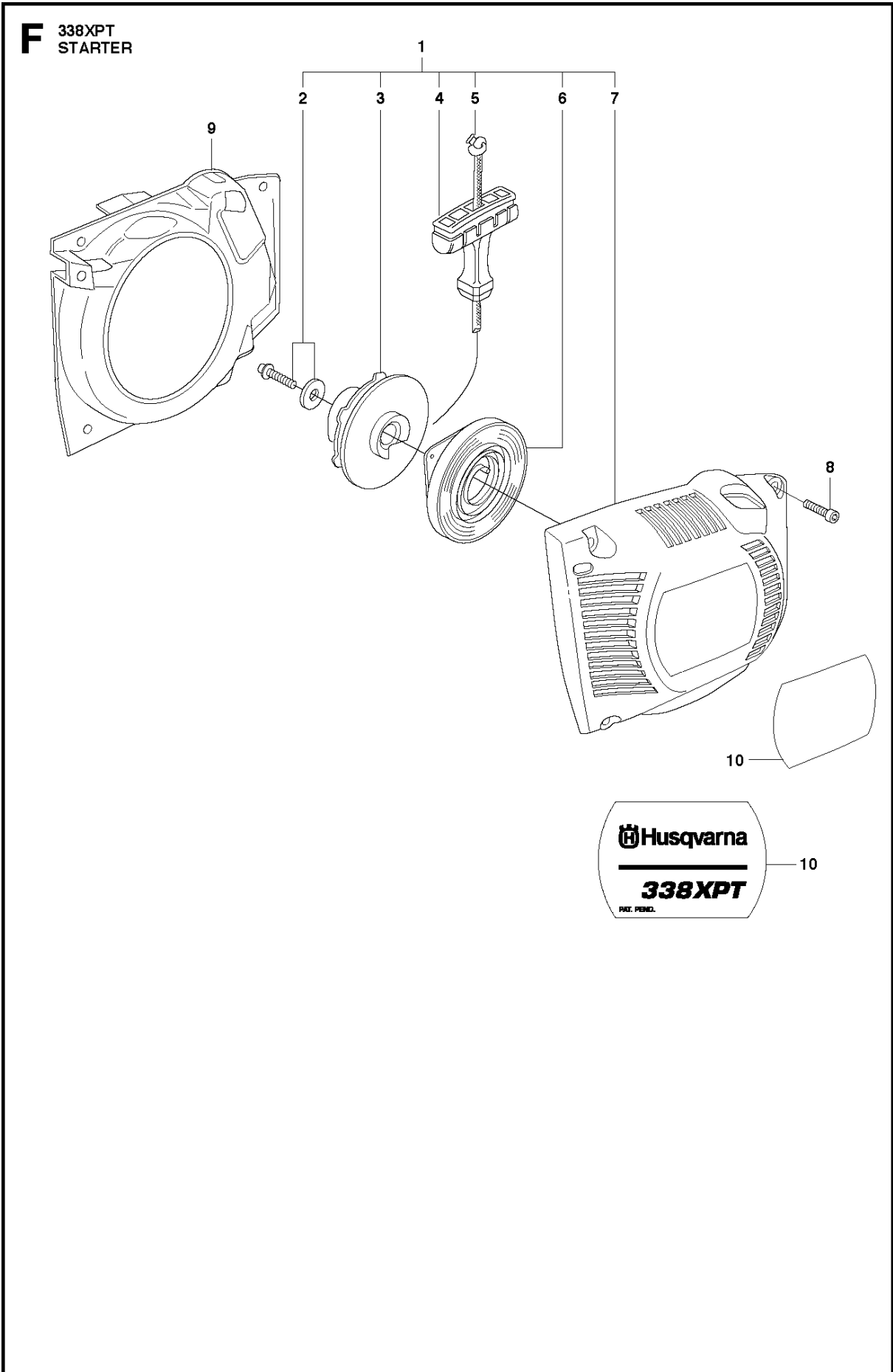
**E** 338XPT  
IGNITION SYSTEM



## IGNITION SYSTEM

338 XPT, 2010-02

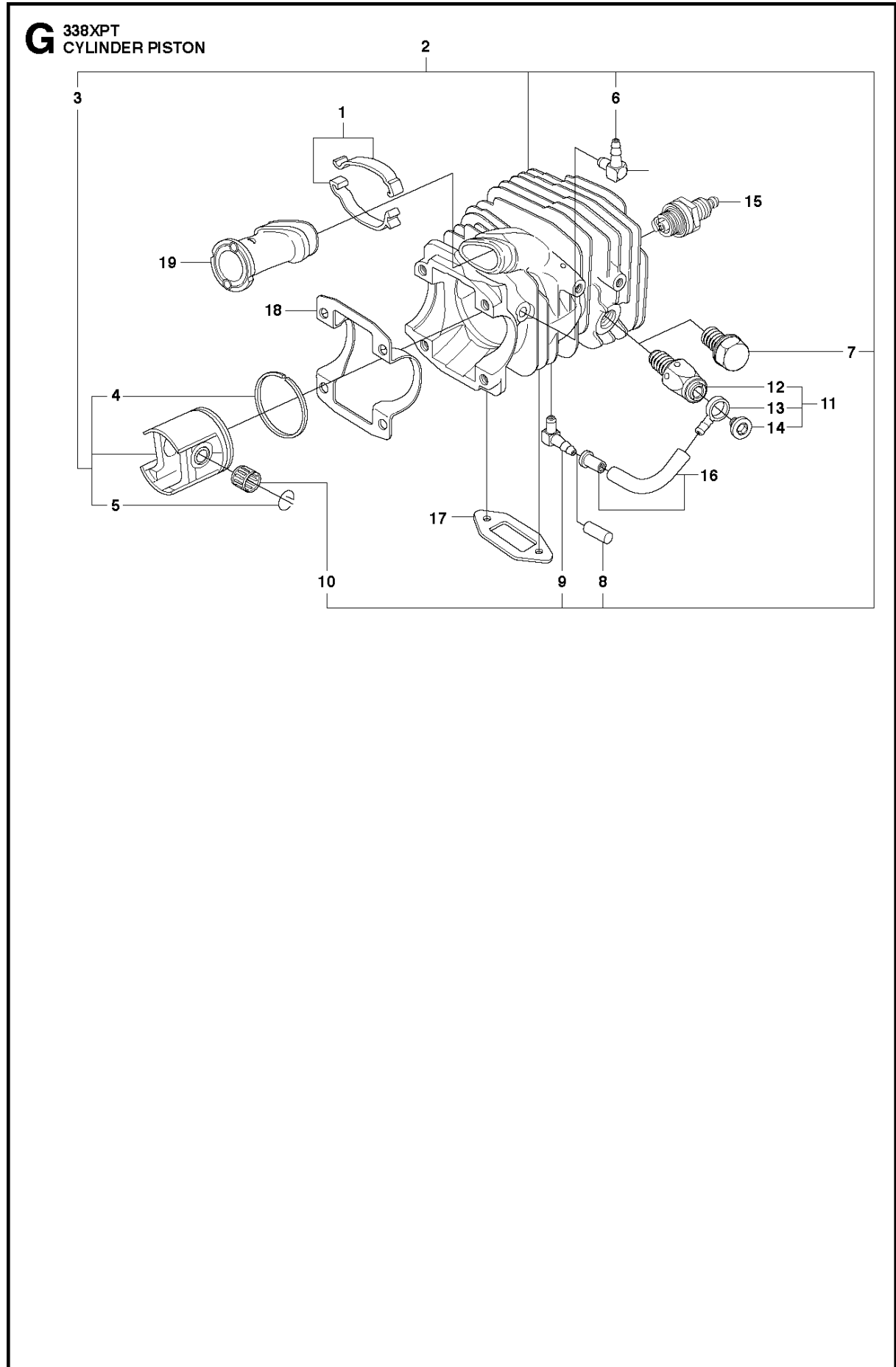
Ref	Part No	Description	Remark	QTY	KIT
1	537 23 39-01	FLYWHEEL		1	
2	503 81 81-01	SPRING		2	1
3	503 71 02-03	STARTER PAWL		2	1
4	501 81 99-05	SCREW		2	1
5	503 22 10-11	HEXAGON NUT		1	
6	503 90 98-02	COUNTERWEIGHT		1	
7	505 54 84-01	CABLE GUIDE		1	
8	544 04 70-01	IGNITION MODULE		1	
9	501 48 54-02	SPARK PLUG CAP		1	
10	505 54 93-01	CABLE COVER		1	
11	503 20 25-16	SCREW IHSCM		2	



## STARTER

338 XPT, 2010-02

Ref	Part No	Description	Remark	QTY	KIT
1	544 06 43-04	STARTER ASSY		1	
2	503 21 77-16	SCREW IHST		1	1
3	537 20 19-01	STARTER PULLEY		1	1
4	503 54 39-01	STARTER HANDLE		1	1
5	505 30 51-25	STARTER CORD		1	1
6	501 76 31-01	SPRING CASSETTE ASSY		1	1
7	544 06 42-01	STARTER HOUSING		1	1
8	503 21 58-25	SCREW CIHSCTO		4	
9	503 82 25-03	AIR CONDUCTOR		1	
10	544 11 65-03	DECAL		1	

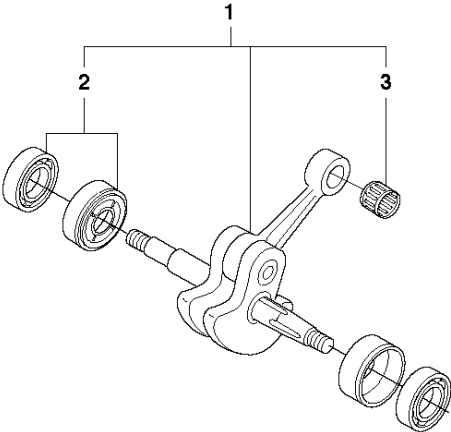


## CYLINDER PISTON

338 XPT, 2010-02

Ref	Part No	Description	Remark	QTY	KIT
1	537 16 73-01	CLIP		1	
2	537 13 20-01	CYLINDER		1	
3	537 13 27-02	PISTON		1	2
4	503 28 90-04	PISTON RING		1	3
5	737 44 10-00	SNAP RING		1	3
6	504 34 00-04	FITTING		1	2
7	503 55 22-01	PLUG		1	2
8	537 18 00-01	PROTECTIVE CAP		1	2
9	504 34 00-04	FITTING		1	2
10	503 41 41-01	NEEDLE BEARING		1	2
11	537 12 68-06	KIT		1	
12	537 35 94-01	DECOMPRESSION VALVE		1	11
13	537 13 70-01	NIPPLE		1	11
14	537 22 29-01	SCREW		1	11
15	503 23 51-08	SPARK PLUG	RCJ-7Y	1	
16	537 11 32-03	HOSE ASSY		1	
17	503 82 11-01	GASKET		1	
18	537 10 04-01	GASKET		1	
19	537 15 77-01	INLET PIPE		1	

**H** 338XPT  
CRANK SHAFT

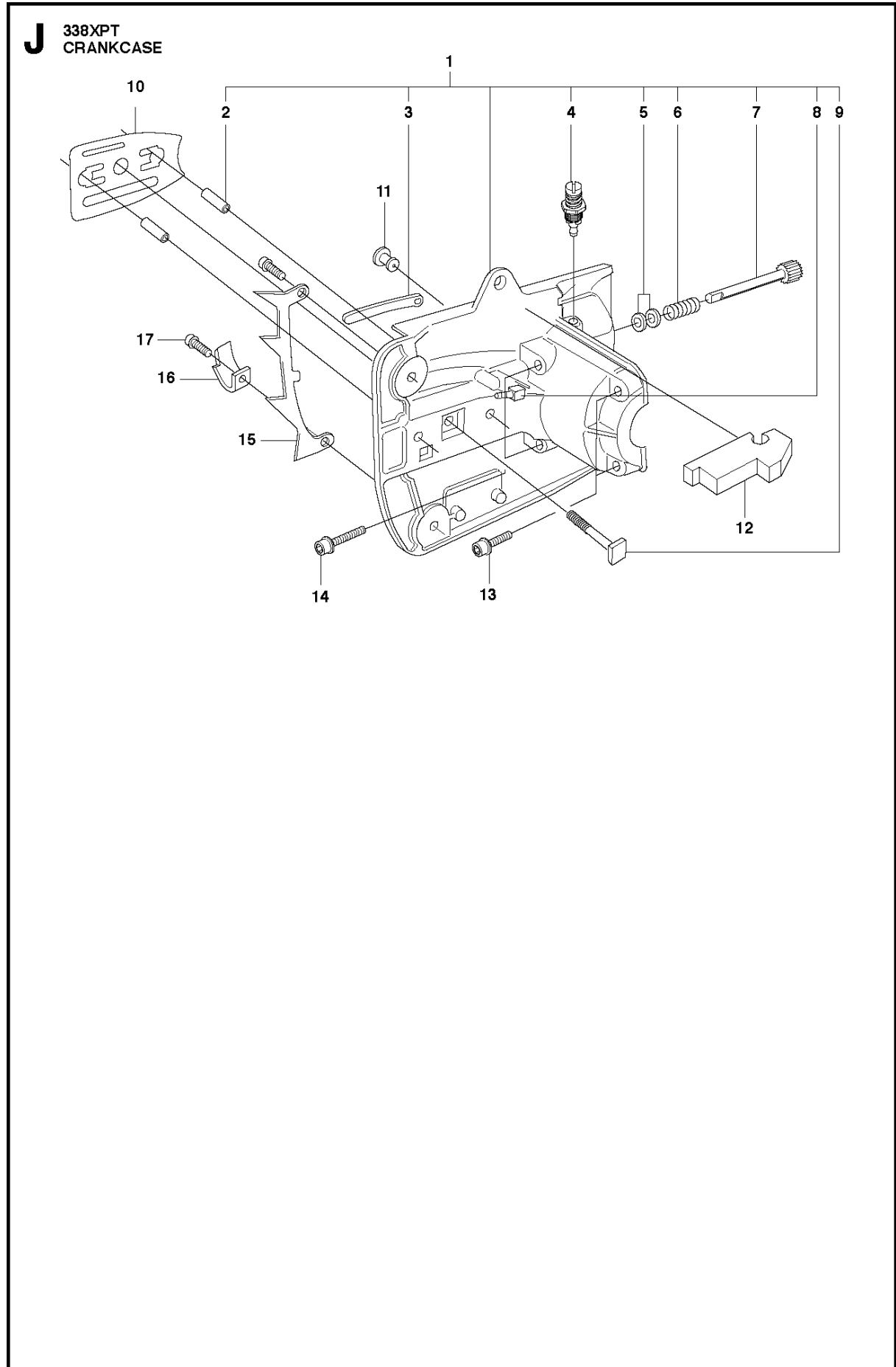




CRANKSHAFT

338 XPT, 2010-02

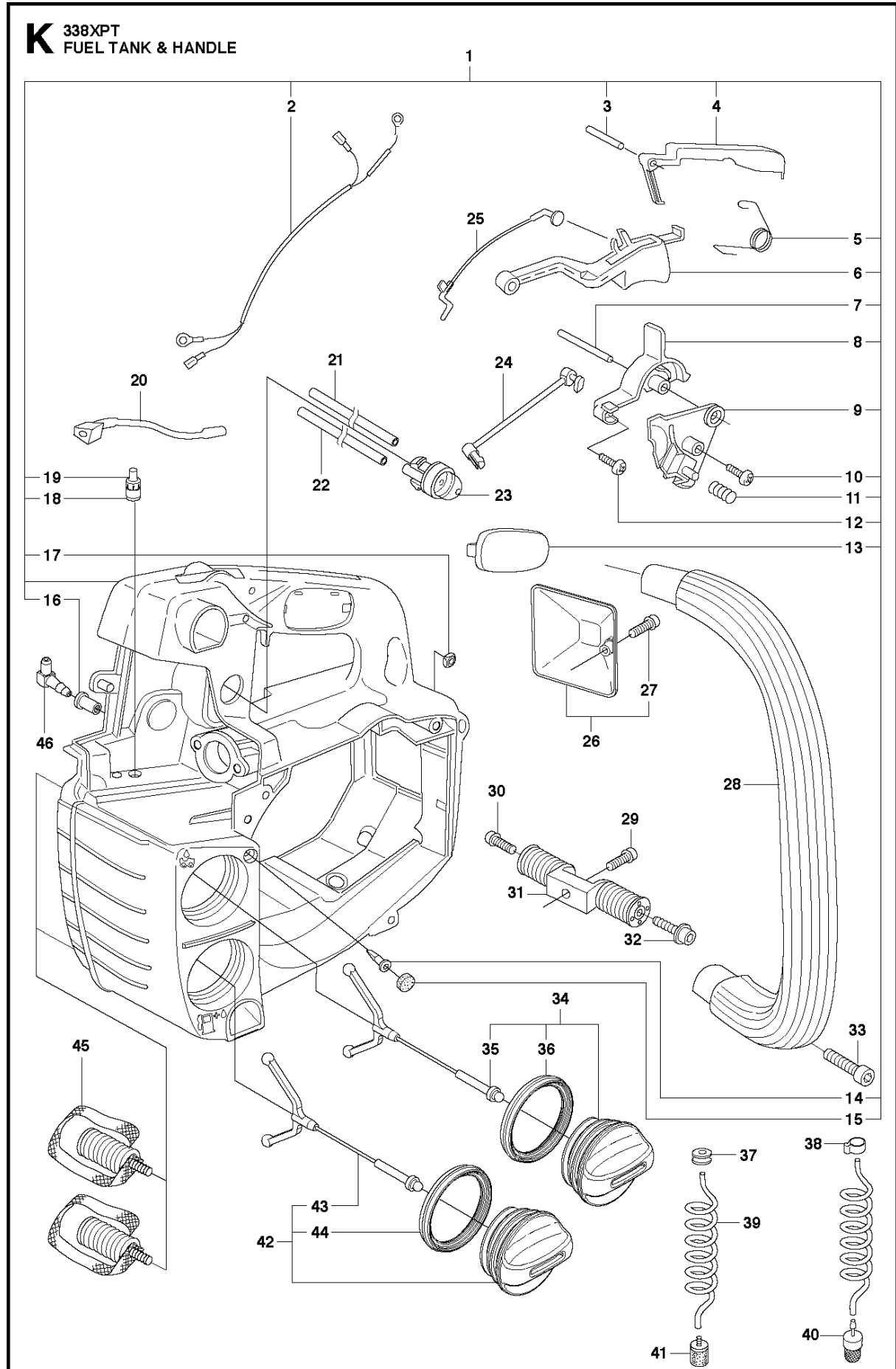
Ref	Part No	Description	Remark	QTY	KIT
1	537 37 67-02	CRANKSHAFT ASSY		1	
2	503 93 45-02	BEARING CAGE		2	1
3	503 41 41-01	NEEDLE BEARING		1	1



## CRANKCASE

338 XPT, 2010-02

Ref	Part No	Description	Remark	QTY	KIT
1	503 79 22-06	CRANKCASE ASSY		1	
2	501 62 33-01	SPRING PIN		2	1
3	503 98 62-01	SEALING		1	1
4	537 39 60-01	INSERT		1	1
5	503 23 00-16	WASHER		2	1
6	503 18 49-01	SPRING		1	1
7	503 80 83-03	PUMP PISTON		1	1
8	537 04 61-01	NIPPLE		1	1
9	501 45 43-01	BAR BOLT		1	1
10	544 33 99-01	CHAIN GUIDE PLATE		1	
11	503 72 31-01	BUSHING		1	
12	503 84 27-01	HEAT SEALING		1	
13	503 20 02-25	SCREW IHSCFM		2	
14	503 20 02-40	SCREW IHSCFM		2	
15	503 81 73-01	SPIKE		1	
16	501 68 68-01	CHAIN CATCHER		1	
17	503 20 02-16	SCREW IHSCFM		2	



Ref	Part No	Description	Remark	QTY	KIT
1	544 11 09-04	TANK UNIT ASSY		1	
2	503 96 32-01	WIRING		1	1
3	720 12 40-20	PARALLEL PIN		1	1
4	503 81 33-01	THROTTLE LOCKOUT		1	1
5	503 85 13-01	SPRING		1	1
6	503 81 32-01	THROTTLE TRIGGER		1	1
7	720 12 46-20	PARALLEL PIN		1	1
8	503 81 34-01	CHOKE		1	1
9	503 81 35-01	PLATE		1	1
10	503 21 28-10	SCREW CCRPANT		1	1
11	503 92 96-01	SPRING		1	1
12	729 56 55-01	SCREW CCRPANT		1	1
13	544 04 20-01	HANDLE INSERT		2	1
14	530 02 61-19	CHECK VALVE		1	1
15	503 98 13-01	PLUG		1	1
16	537 05 28-01	VALVE SLEEVE		1	1
17	503 22 65-04	SQUARE NUT		1	1
18	537 35 95-01	TANK VENT ASSY		1	1
19	537 13 97-01	PROTECTIVE CAP		1	1
20	503 84 26-01	IMPULSE HOSE		1	
21	537 04 24-08	FUEL HOSE		1	
22	537 04 24-09	FUEL HOSE		1	
23	503 93 66-01	PURGE		1	
24	503 82 27-02	CHOKE ROD		1	
25	503 82 28-01	THROTTLE ROD		1	
26	537 39 05-01	SPARK PLUG		1	
27	503 21 56-01	SCREW CIHSCMO		1	26
28	503 81 69-01	FRONT HANDLE		1	
29	503 20 02-16	SCREW IHSCFM		1	
30	503 20 02-16	SCREW IHSCFM		1	
31	503 82 33-02	ANTIVIBRATION ELEMENT		1	
32	503 20 02-16	SCREW IHSCFM		1	
33	503 21 88-30	SCREW IHSCFM		2	
34	537 21 52-02	TANK CAP ASSY		1	
35	503 57 89-01	HOLDER		1	34
36	537 21 50-01	SEALING		1	34
37	503 73 58-01	BUSHING		1	
38	537 05 11-01	HOSE CLAMP		1	
39	544 32 50-02	FUEL HOSE		2	
40	503 96 75-01	OIL PLUMMET		1	
41	503 44 32-01	FUEL FILTER		1	
42	537 21 52-04	TANK CAP ASSY		1	
43	503 57 89-01	HOLDER		1	42
44	537 21 50-01	SEALING		1	42
45	503 85 38-04	ANTIVIBRATION ELEMENT		2	
46	537 19 23-01	NIPPLE		1	

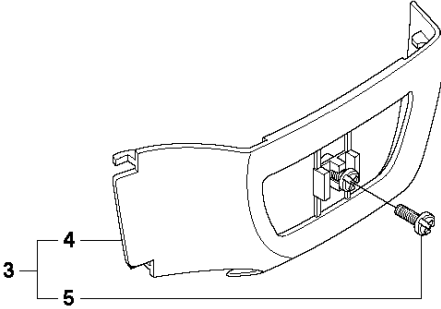
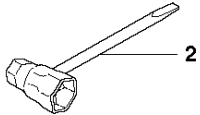
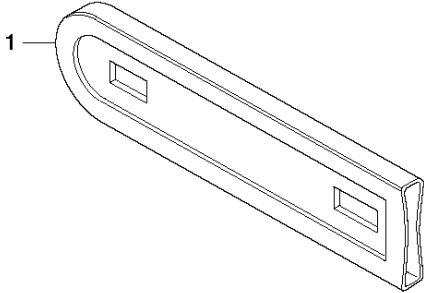


## CARBURETOR DETAILS

338 XPT, 2010-02

Ref	Part No	Description	Remark	QTY	KIT
1	544 16 09-01	CARBURETTOR	Zama C1Q-EL33A	1	
2	503 48 05-01	SCREW		2	1
3	503 97 43-01	COVER		1	1
4	537 04 89-01	DIAPHRAGM		1	1, 39
5	537 02 04-01	GASKET		1	1, 39
6	503 47 90-01	SCREW		1	1
7	537 27 41-01	LEVER		1	1
8	503 47 89-01	COLLAR		1	1
9	537 41 35-01	NOZZLE ASSY		1	1
10	503 48 01-01	SCREW		1	1
11	503 48 00-01	PIN RETAINING SCREW		1	1
12	503 66 59-01	LEVER		1	1
13	503 47 97-01	VALVE		1	1
14	537 27 34-01	SPRING		1	1
15	503 53 56-01	PLUG WELCH		1	1
16	537 27 38-01	SHAFT ASSY		1	1
17	537 27 44-01	COLLAR		1	1
18	537 27 43-01	LEVER		1	1
19	537 26 68-01	VALVE		1	1
20	503 48 18-01	SCREW		1	1
21	537 13 49-01	SPRING		1	1
22	537 41 69-01	SCREW	L	1	1
23	537 41 70-01	LIMITER CAP		1	1
24	537 41 70-01	LIMITER CAP		1	1
25	537 38 75-01	SCREW	H	1	1
26	537 01 26-01	SPRING		1	1
27	537 01 25-01	BALL		1	1
28	503 53 57-01	STRAINER		1	1
29	537 02 00-01	DIAPHRAGM PUMP		1	1, 39
30	537 02 01-01	GASKET		1	1, 39
31	537 01 97-01	SPRING		1	1
32	503 48 18-01	SCREW		1	1
33	537 38 83-01	VALVE		1	1
34	544 11 90-01	SHAFT		1	1
35	537 27 33-01	COVER		1	1
36	537 27 37-01	SCREW		1	1
37	503 48 11-01	PIECE		1	1
38	503 47 96-01	SCREW		1	1
39	531 00 45-52	GASKET KIT	1 = Set of gaskets	1	

**M** 338XPT  
ACCESSORIES





## ACCESSORIES

338 XPT, 2010-02

Ref	Part No	Description	Remark	QTY	KIT
1	501 83 44-09	BAR COVER		1	
2	501 69 17-01	COMBINATION WRENCH		1	
3	544 93 16-01	WINTER COVER ASSY		1	
4	544 85 06-01	WINTER COVER		1	3
5	503 21 28-10	SCREW CCRPANT		1	3