

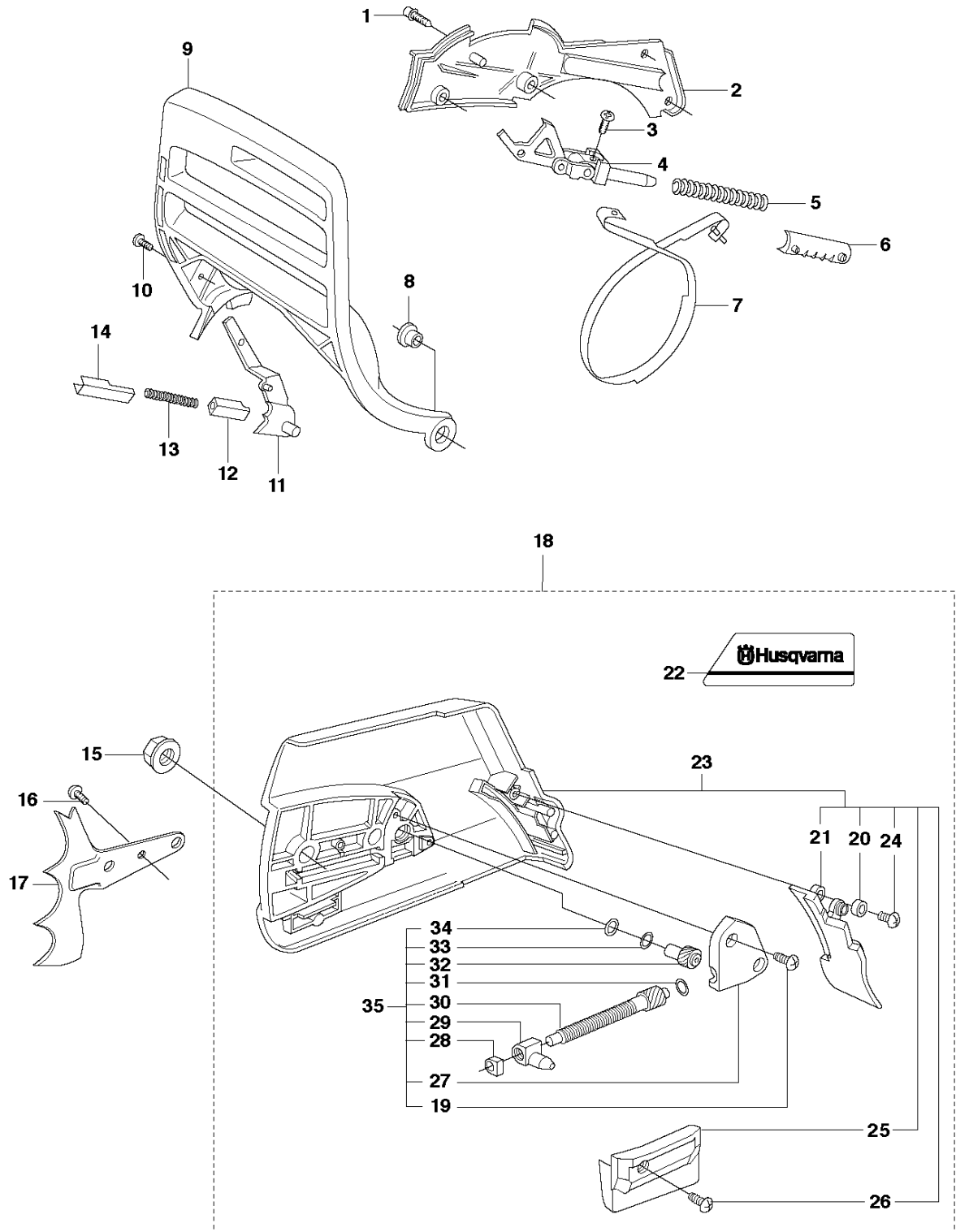


SPARE PARTS LIST

CHAIN SAWS

390XP from 2018-12

A1 390, 390EPA
CHAIN BRAKE & CLUTCH COVER

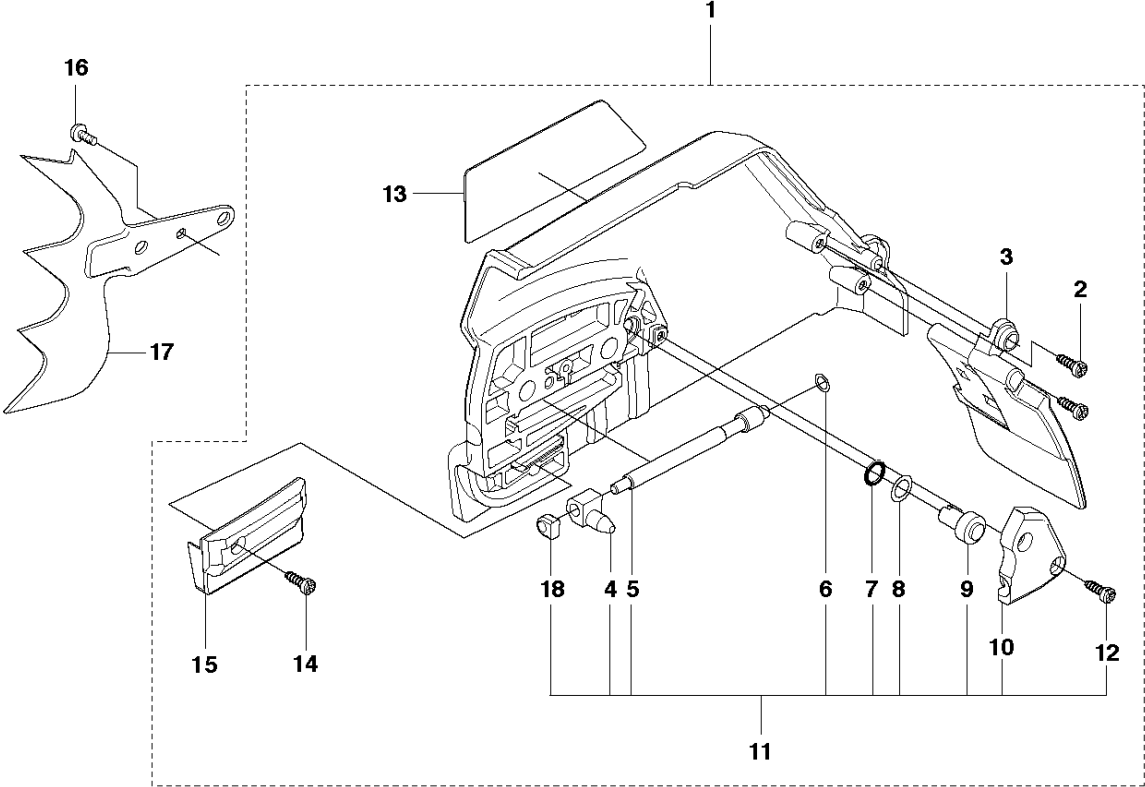


CHAIN BRAKE & CLUTCH COVER

390XP from 2018-12

| Ref | Part No | Description | Remark | QTY | KIT |
|-----|--------------|-------------------|--------|-----|------------|
| 1 | 503 20 02-12 | SCREW IHSCFM | | 4 | |
| 2 | 503 75 11-03 | HUB CAP | | 1 | |
| 3 | 503 21 28-10 | SCREW CCRPANT | | 1 | |
| 4 | 501 87 53-04 | KNEE JOINT | | 1 | |
| 5 | 503 70 99-02 | BRAKE SPRING | | 1 | |
| 6 | 503 79 27-01 | SUPPORT | | 1 | |
| 7 | 503 75 22-02 | BRAKE BAND ASSY | | 1 | |
| 8 | 503 77 52-01 | BUSHING | | 1 | |
| 9 | 537 01 69-01 | HAND GUARD | | 1 | |
| 10 | 503 20 26-02 | SCREW IHSCM | | 1 | |
| 11 | 537 00 87-02 | BRAKE LEVER | | 1 | |
| 12 | 503 83 81-02 | LOCK | | 1 | |
| 13 | 503 43 65-01 | POSITION SPRING | | 1 | |
| 14 | 537 01 67-01 | WEAR PROTECTION | | 1 | |
| 15 | 503 22 00-01 | HEXAGON NUT | | 2 | |
| 16 | 503 21 28-10 | SCREW CCRPANT | | 1 | |
| 17 | 503 71 97-01 | SPIKE | | 1 | |
| 18 | 537 03 35-02 | CLUTCH COVER ASSY | | 1 | |
| 19 | 503 21 28-10 | SCREW CCRPANT | | 2 | 18, 23, 35 |
| 20 | 503 89 70-01 | SLEEVE | | 1 | 18, 23 |
| 21 | 503 76 29-02 | CHIP GUARD | | 1 | 18, 23 |
| 22 | 537 03 38-03 | LABEL | | 1 | 18 |
| 23 | 537 03 35-72 | CLUTCH COVER ASSY | | 1 | 18 |
| 24 | 503 21 28-10 | SCREW CCRPANT | | 1 | 18, 23 |
| 25 | 537 04 34-01 | CHAIN GUIDE | | 1 | 18, 23 |
| 26 | 503 21 28-10 | SCREW CCRPANT | | 1 | 18, 23 |
| 27 | 537 01 68-01 | COVER | | 1 | 18, 35 |
| 28 | 537 01 74-01 | BEARING SLEEVE | | 1 | 18, 35 |
| 29 | 503 99 83-01 | PAWL | | 1 | 18, 35 |
| 30 | 537 07 95-02 | WORM SCREW | | 1 | 18, 35 |
| 31 | 503 23 00-66 | WASHER | | 1 | 18, 35 |
| 32 | 537 07 94-02 | WORM WHEEL | | 1 | 18, 35 |
| 33 | 503 23 00-63 | WASHER | | 1 | 18, 35 |
| 34 | 740 48 07-02 | O-RING | | 1 | 18, 35 |
| 35 | 537 04 41-02 | CHAIN TENSIONER | | 1 | 18 |

A2 390, 390EPA
CHAIN BRAKE

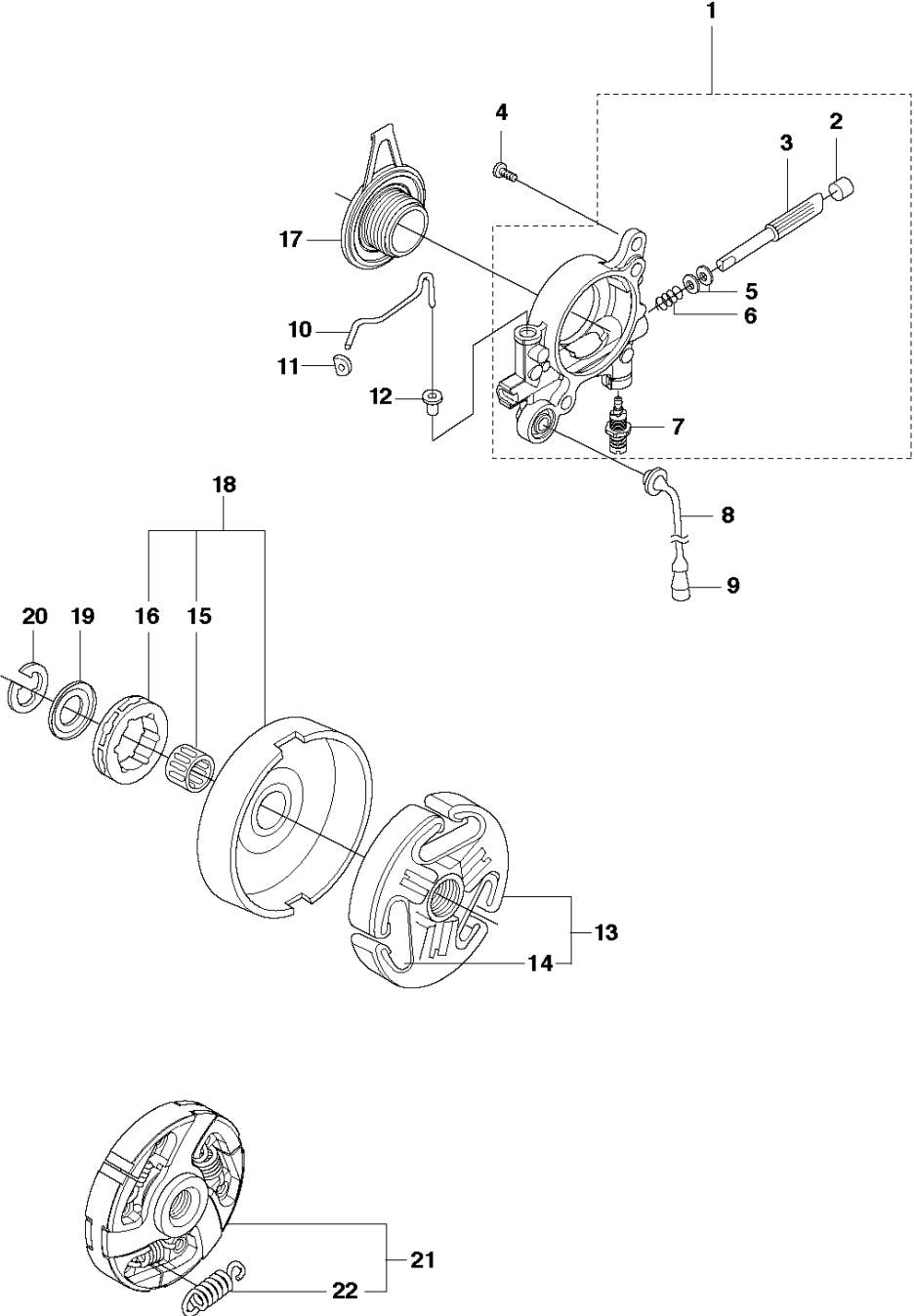


CHAIN BRAKE

390XP from 2018-12

| Ref | Part No | Description | Remark | QTY | KIT |
|-----|--------------|-------------------|--------|-----|-------|
| 1 | 537 33 10-01 | CLUTCH COVER ASSY | WA | 1 | |
| 2 | 503 21 28-10 | SCREW CCRPANT | | 2 | 1 |
| 3 | 537 17 41-01 | CHIP GUARD | | 1 | 1 |
| 4 | 503 99 83-01 | PAWL | | 1 | 1, 11 |
| 5 | 537 07 95-02 | WORM SCREW | | 1 | 1, 11 |
| 6 | 503 23 00-66 | WASHER | | 1 | 1, 11 |
| 7 | 740 48 07-02 | O-RING | | 1 | 1, 11 |
| 8 | 503 23 00-63 | WASHER | | 1 | 1, 11 |
| 9 | 537 07 94-02 | WORM WHEEL | | 1 | 1, 11 |
| 10 | 537 01 68-01 | COVER | | 1 | 1, 11 |
| 11 | 537 04 41-02 | CHAIN TENSIONER | | 1 | 1 |
| 12 | 503 21 28-10 | SCREW CCRPANT | | 2 | 1, 11 |
| 13 | 537 03 38-03 | LABEL | | 1 | 1 |
| 14 | 503 21 28-10 | SCREW CCRPANT | | 1 | 1 |
| 15 | 537 04 34-01 | CHAIN GUIDE | | 1 | 1 |
| 16 | 503 21 28-10 | SCREW CCRPANT | | 1 | |
| 17 | 503 92 27-01 | SPIKE | WA | 1 | |
| 18 | 537 01 74-01 | BEARING SLEEVE | | 1 | 1, 11 |

B 390, 390EPA
CLUTCH & OIL PUMP

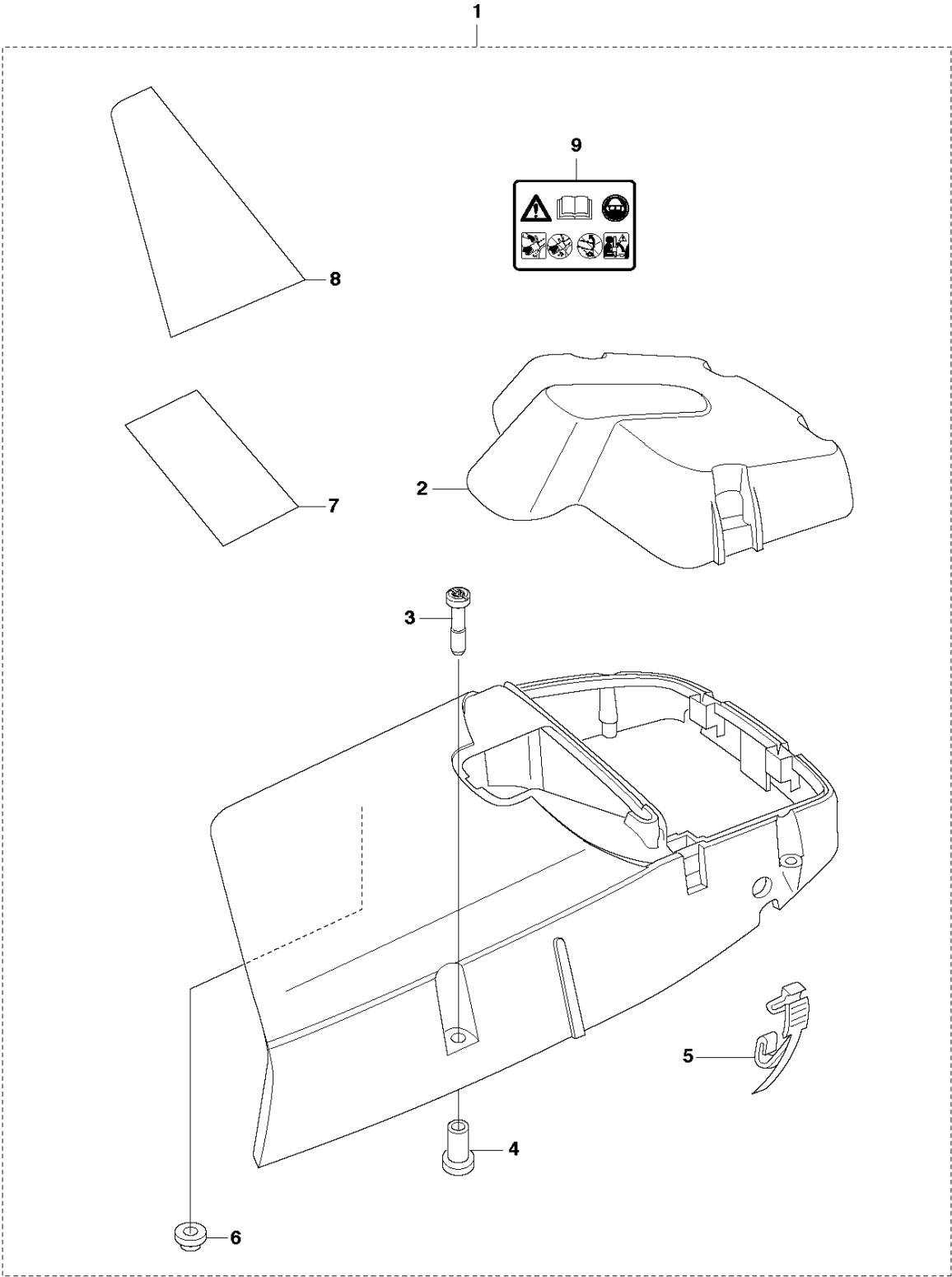


CLUTCH & OIL PUMP

390XP from 2018-12

| Ref | Part No | Description | Remark | QTY | KIT |
|-----|--------------|------------------|-----------|-----|-----|
| 1 | 503 52 13-05 | OIL PUMP ASSY | | 1 | |
| 2 | 503 62 49-01 | SEALING PLUG | | 1 | 1 |
| 3 | 537 10 64-01 | PUMP PISTON | | 1 | 1 |
| 4 | 725 53 29-56 | SCREW IHSCM | | 2 | |
| 5 | 503 23 00-04 | WASHER | | 2 | 1 |
| 6 | 501 61 58-01 | SPRING | | 1 | 1 |
| 7 | 537 39 60-01 | INSERT | | 1 | 1 |
| 8 | 503 42 67-01 | OIL HOSE | | 1 | |
| 9 | 501 54 41-02 | OIL SCREEN | | 1 | |
| 10 | 503 77 43-01 | OIL PIPE | | 1 | |
| 11 | 503 64 47-01 | INLET PIPE | | 1 | |
| 12 | 504 30 00-26 | SEALING | | 1 | |
| 13 | 503 97 50-01 | CLUTCH ASSY | | 1 | |
| 14 | 503 97 51-01 | CLUTCH SPRING | | 3 | 13 |
| 15 | 503 43 20-01 | NEEDLE HOLDER | | 1 | 18 |
| 16 | 501 59 80-02 | RIM | "3/8"x7T" | 1 | 18 |
| 16 | 505 30 36-61 | RIM | "3/8"x8T" | 1 | 18 |
| 16 | 501 59 79-02 | RIM | .404x7 | 1 | 18 |
| 17 | 537 20 78-06 | PUMP PINION | | 1 | |
| 18 | 537 13 79-71 | CLUTCH DRUM ASSY | "3/8"x7T" | 1 | |
| 18 | 537 13 79-72 | CLUTCH DRUM ASSY | "3/8"x8T" | 1 | |
| 18 | 537 13 79-02 | CLUTCH DRUM | .404x7 | 1 | |
| 19 | 503 75 24-01 | WASHER | | 1 | |
| 20 | 503 27 21-01 | E-CLIP | | 1 | |
| 21 | 537 25 75-01 | CLUTCH ASSY | | 1 | |
| 22 | 503 14 51-01 | CLUTCH SPRING | | 3 | 21 |

C 390XP
CYLINDER COVER

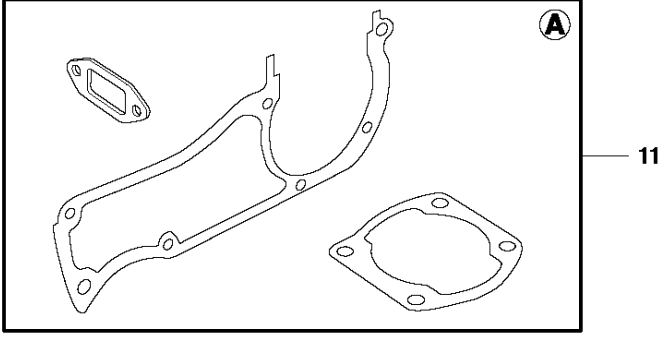
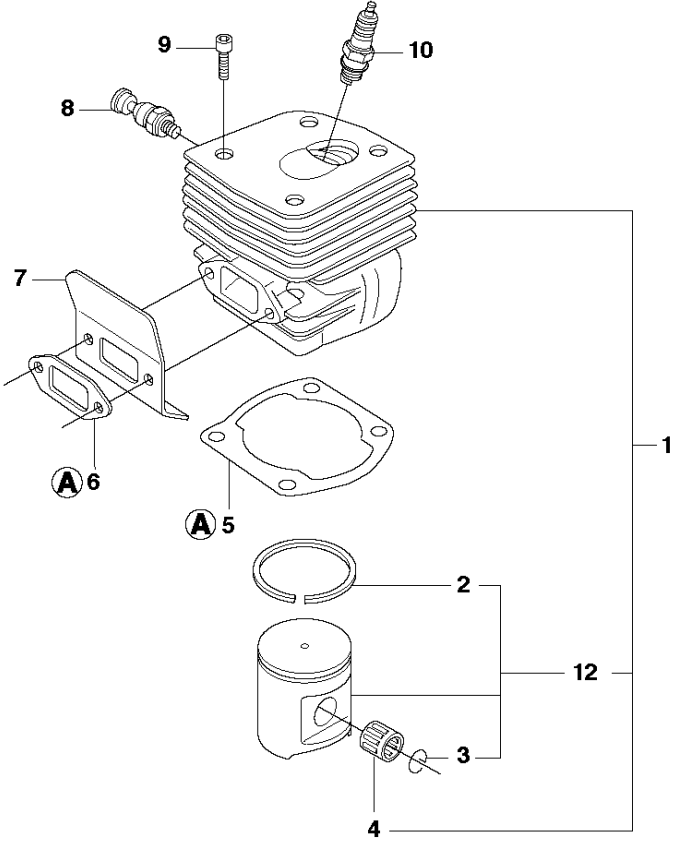


CYLINDER COVER

390XP from 2018-12

| Ref | Part No | Description | Remark | QTY KIT | |
|-----|--------------|---------------------|--------|---------|---|
| 1 | 537 00 07-01 | CYLINDER COVER ASSY | Std | 1 | |
| 1 | 537 00 07-02 | CYLINDER COVER ASSY | Hd | 1 | 1 |
| 2 | 537 00 09-01 | FILTER COVER | Std | 1 | |
| 2 | 537 00 10-01 | FILTER COVER | Hd | 1 | 1 |
| 3 | 588 48 73-01 | SCREW CITXPANMO | | 3 | 1 |
| 4 | 537 13 72-01 | SLEEVE | | 3 | 1 |
| 5 | 503 74 01-02 | SNAP LOCKING | | 4 | 1 |
| 6 | 537 01 65-01 | SUPPORT | | 1 | 1 |
| 7 | 537 07 23-01 | HEAT PROTECTOR | | 1 | 1 |
| 8 | 537 06 96-01 | HEAT PROTECTOR | | 1 | 1 |
| 9 | 503 98 74-01 | LABEL | | 1 | 1 |

D 390, 390EPA
CYLINDER PISTON

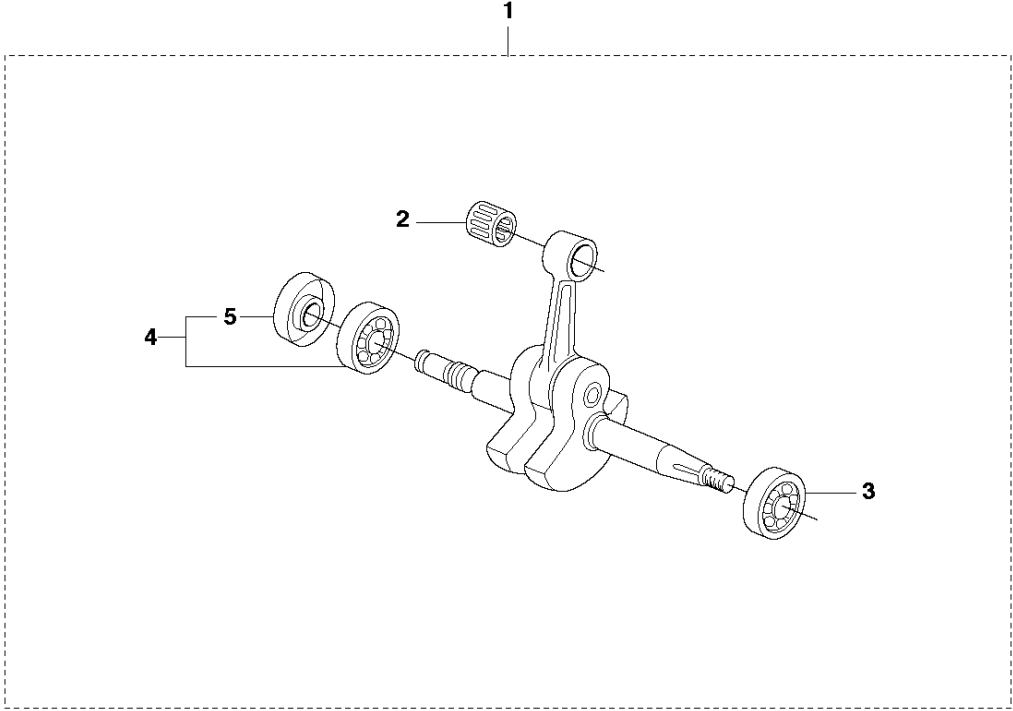


CYLINDER PISTON

390XP from 2018-12

| Ref | Part No | Description | Remark | QTY | KIT |
|-----|--------------|---------------------|--------------------|-----|-----|
| 1 | 544 00 65-02 | CYLINDER ASSY | | 1 | |
| 2 | 503 28 90-53 | PISTON RING | | 2 | 12 |
| 3 | 737 44 13-00 | CIRCLIP | | 2 | 12 |
| 4 | 503 25 61-01 | NEEDLE BEARING | | 1 | 1 |
| 5 | 537 00 57-01 | GASKET | | 1 | 11 |
| 6 | 503 77 59-01 | GASKET | | 1 | 11 |
| 7 | 537 08 62-01 | HEAT DEFLECTOR | | 1 | |
| 8 | 503 71 53-01 | DECOMPRESSION VALVE | | 1 | |
| 9 | 725 53 33-55 | SCREW IHSCM | | 4 | |
| 10 | 503 23 51-11 | SPARK PLUG | BPMR7A | 1 | |
| 11 | 537 03 39-01 | GASKET KIT | A = Set of gaskets | 1 | |
| 12 | 537 42 02-02 | PISTON ASSY | | 1 | 1 |

E 390, 390EPA
CRANKSHAFT

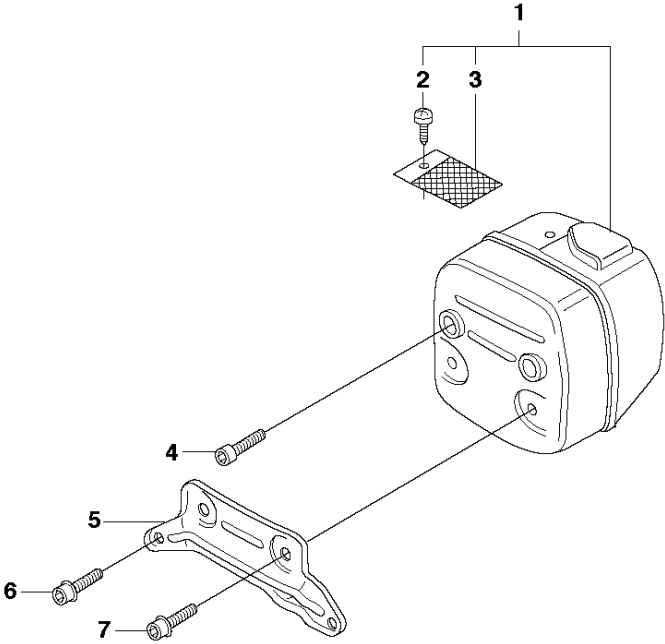


CRANKSHAFT

390XP from 2018-12

| Ref | Part No | Description | Remark | QTY KIT | |
|-----|--------------|----------------|--------|---------|------|
| 1 | 503 99 34-04 | CRANKSHAFT | | 1 | |
| 2 | 503 25 61-01 | NEEDLE BEARING | | 1 | 1 |
| 3 | 738 22 03-25 | BALL BEARING | | 1 | 1 |
| 4 | 503 25 13-02 | BALL BEARING | | 1 | 1 |
| 5 | 584 22 65-01 | SEALING RING | | 1 | 1, 4 |

F 390, 390EPA
MUFFLER

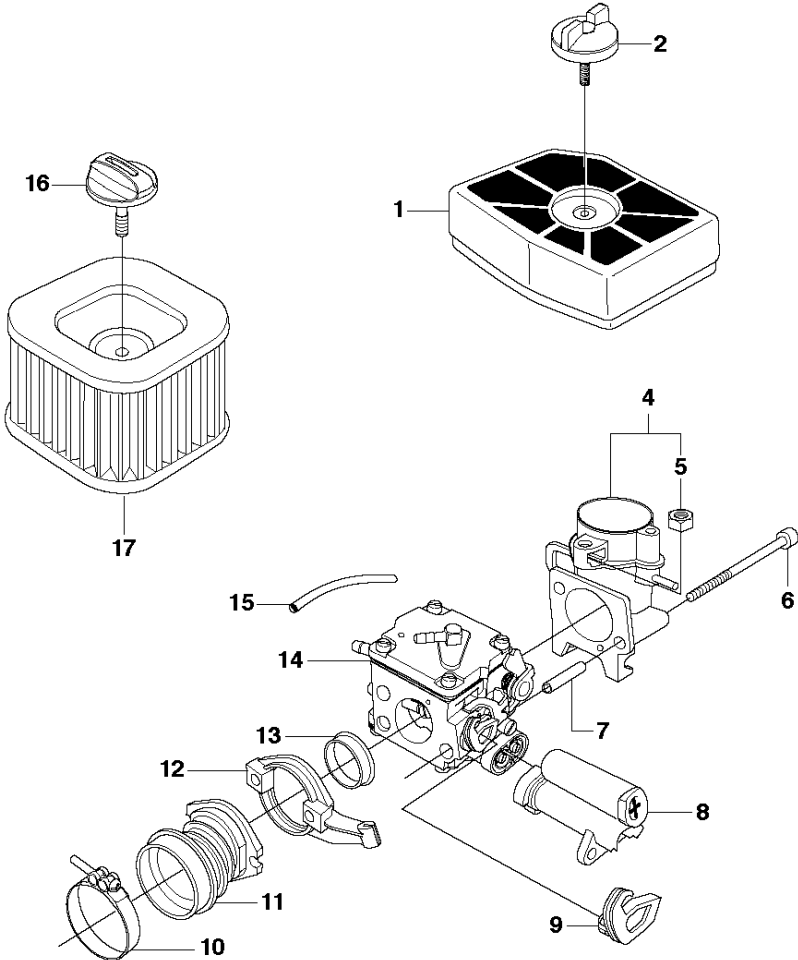


MUFFLER

390XP from 2018-12

| Ref | Part No | Description | Remark | QTY | KIT |
|-----|--------------|-----------------------|--------|-----|-----|
| 1 | 585 44 83-01 | MUFFLER ASSY | DF | 1 | |
| 1 | 585 44 82-01 | MUFFLER ASSY | Jungle | 1 | |
| 2 | 724 12 87-59 | SCREW CRPANM | | 1 | 1 |
| 3 | 503 76 64-02 | SPARK ARRESTER SCREEN | | 1 | 1 |
| 4 | 725 53 70-55 | SCREW IHSCM | | 2 | |
| 5 | 579 02 59-01 | SUPPORT | | 1 | |
| 6 | 503 20 02-16 | SCREW IHSCFM | | 2 | |
| 7 | 503 20 07-12 | SCREW IHSCFM | | 2 | |

G 390XP
CARBURETOR & AIRFILTER

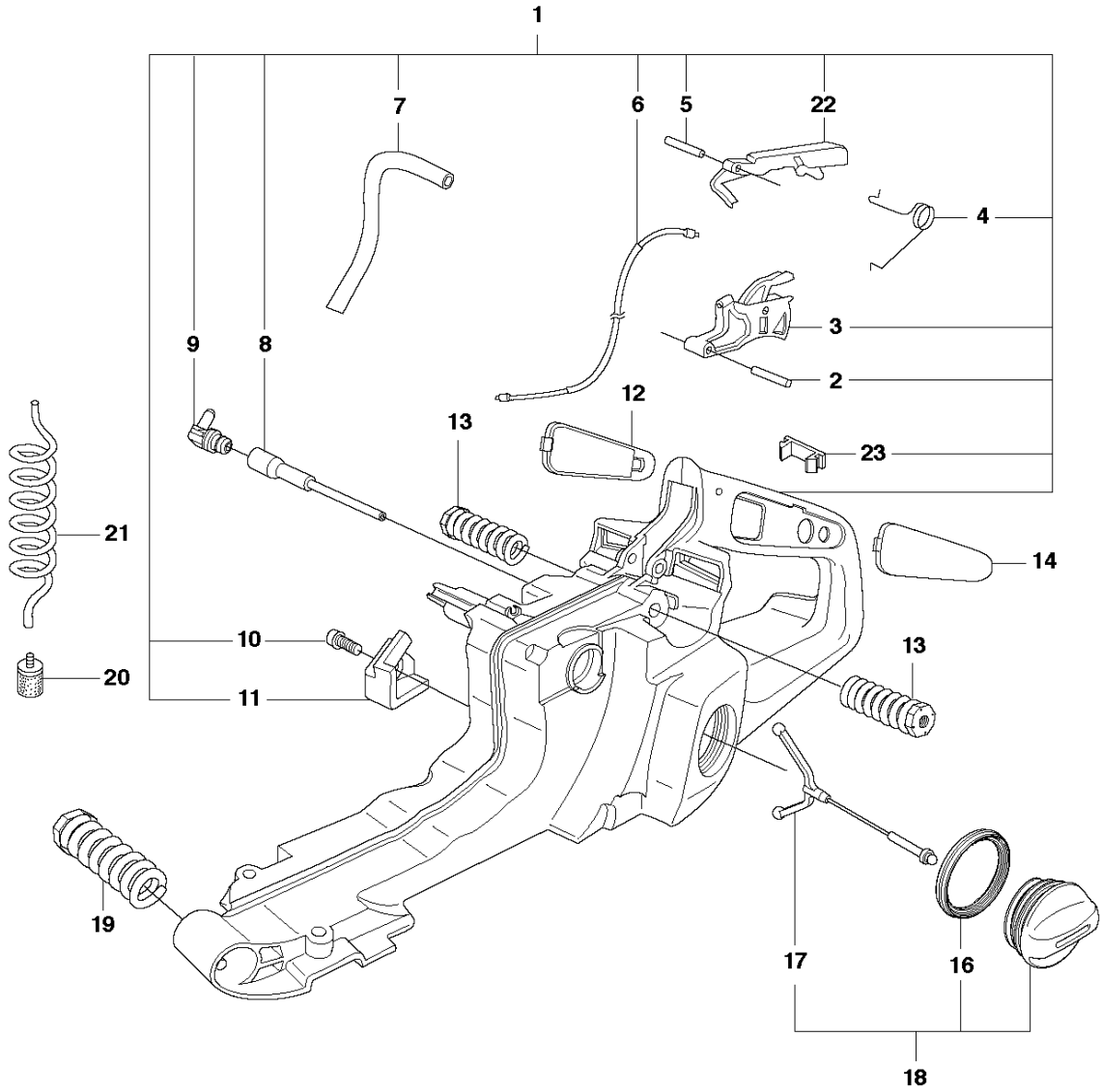


CARBURETOR & AIR FILTER

390XP from 2018-12

| Ref | Part No | Description | Remark | QTY | KIT |
|-----|--------------|-----------------|---------------------|-----|-----|
| 1 | 537 01 47-01 | AIR FILTER ASSY | 80μ | 1 | |
| 1 | 537 01 47-02 | AIR FILTER ASSY | 44μ | 1 | |
| 1 | 537 01 47-03 | AIR FILTER ASSY | Felt | 1 | |
| 2 | 537 21 32-01 | KNOB | | 1 | |
| 4 | 537 00 91-01 | FILTER HOLDER | | 1 | |
| 5 | 731 23 14-01 | HEXAGON NUT | | 1 | 4 |
| 6 | 725 53 09-55 | SCREW IHSCM | | 2 | |
| 7 | 503 70 11-01 | TUBE | | 2 | |
| 8 | 544 97 51-01 | GUIDE BUSHING | | 1 | |
| 9 | 503 68 41-01 | LEVER | | 1 | |
| 10 | 588 77 55-02 | HOSE CLAMP | | 1 | |
| 11 | 537 11 14-01 | INLET PIPE | | 1 | |
| 11 | 537 11 14-02 | INLET PIPE | For cold conditions | 1 | |
| 12 | 537 00 37-01 | FLANGE | | 1 | |
| 13 | 503 96 22-01 | SUPPORT SLEEVE | | 1 | |
| 14 | 501 35 54-01 | CARBURETTOR | WJ118 | 1 | |
| 14 | 501 35 52-01 | CARBURETTOR | WJ116 (EPA) | 1 | |
| 15 | 503 40 06-04 | IMPULSE HOSE | | 1 | |
| 16 | 537 21 32-05 | KNOB | | 1 | |
| 17 | 537 00 93-01 | AIR FILTER | Felt | 1 | |

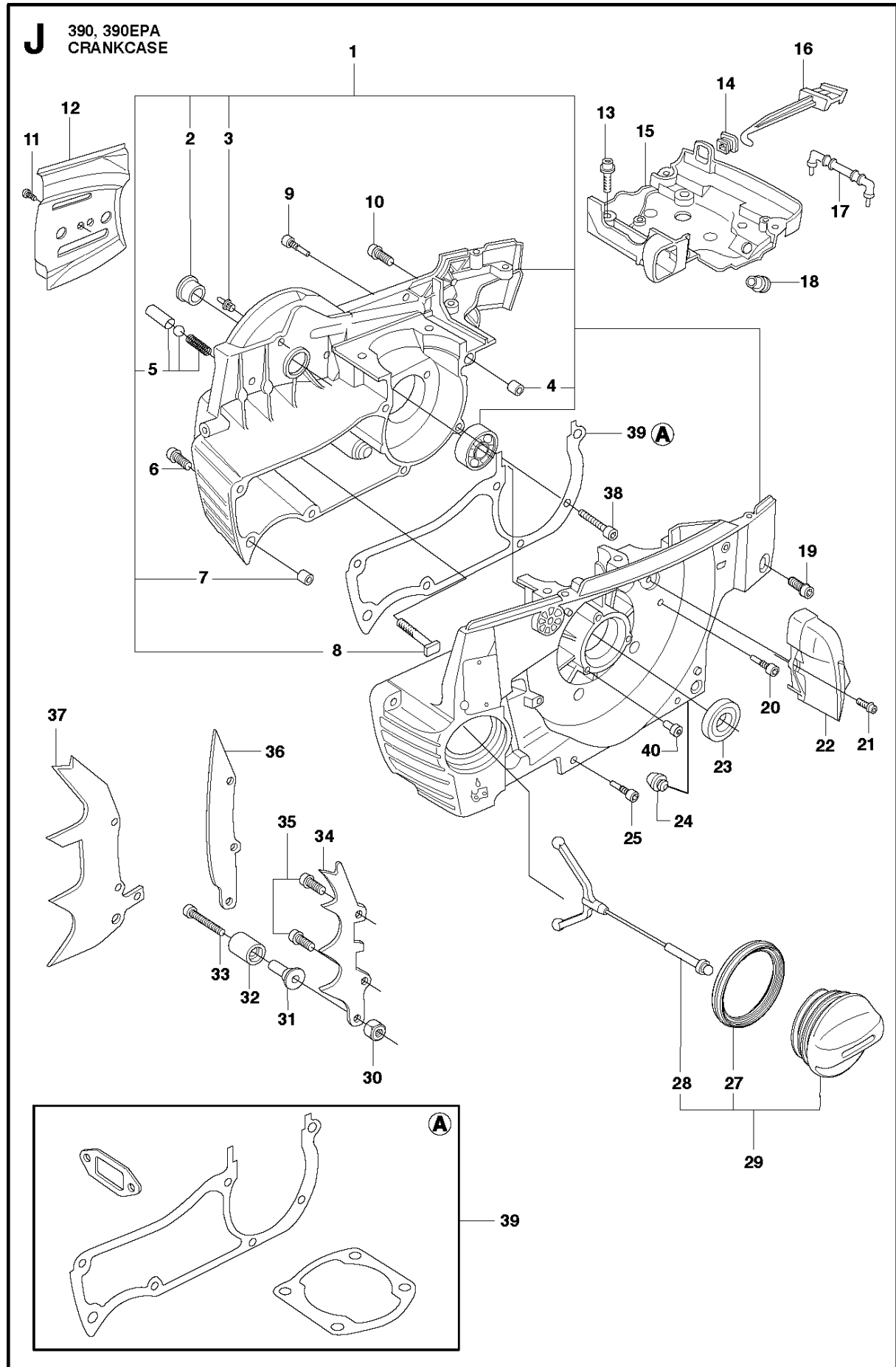
H 390, 390EPA
FUEL TANK & HANDLE



FUEL TANK & HANDLE

390XP from 2018-12

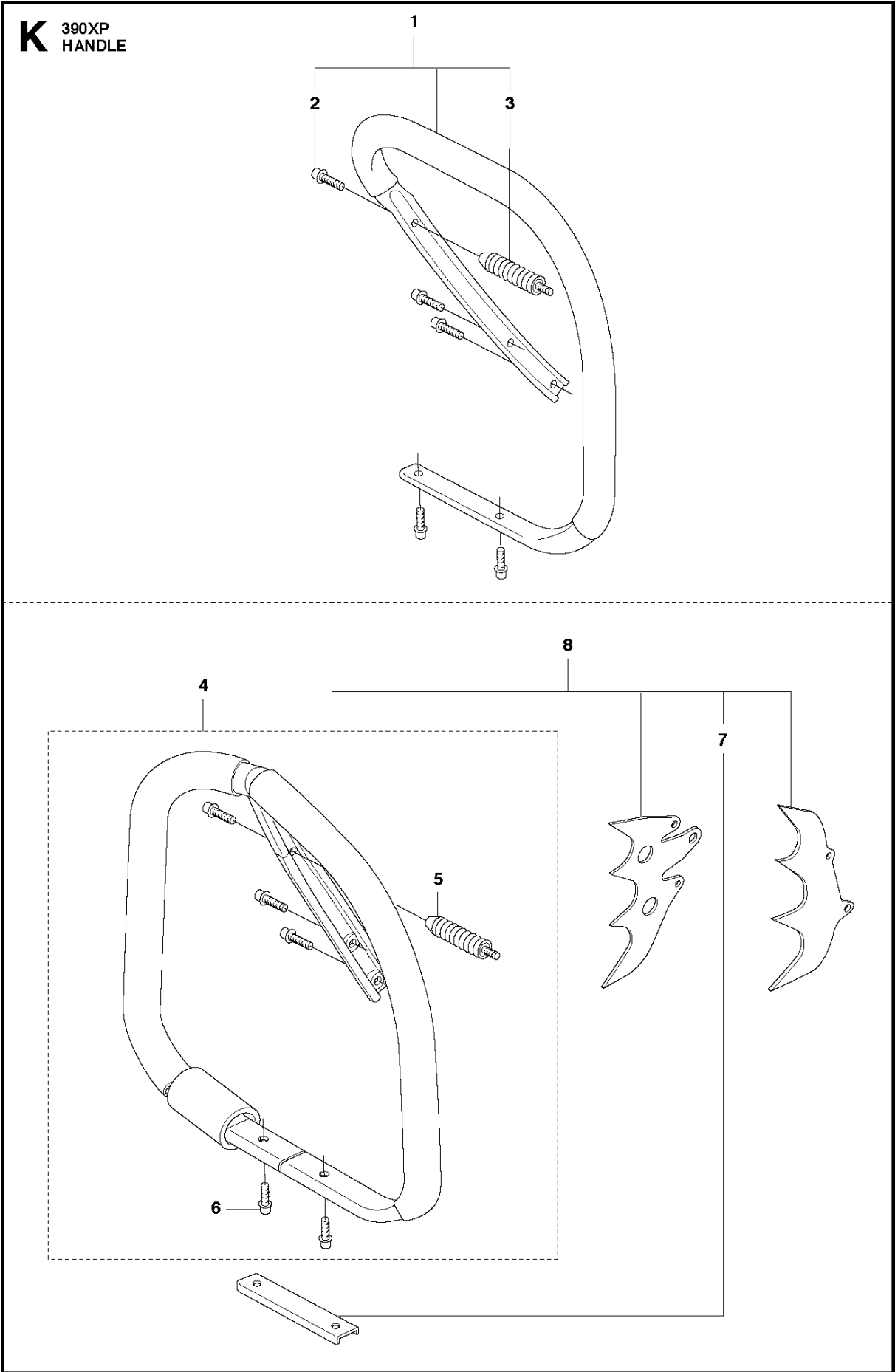
| Ref | Part No | Description | Remark | QTY | KIT |
|-----|--------------|---------------------|--------|-----|-----|
| 1 | 537 00 03-71 | FUEL TANK | | 1 | |
| 2 | 720 12 72-20 | PARALLEL PIN | | 1 | 1 |
| 3 | 503 82 98-01 | TRIGGER | | 1 | 1 |
| 4 | 503 73 64-01 | SPRING | | 1 | 1 |
| 5 | 720 12 40-20 | PARALLEL PIN | | 1 | 1 |
| 6 | 503 71 76-01 | THROTTLE CABLE ASSY | | 1 | 1 |
| 7 | 581 75 61-06 | FUEL HOSE | | 1 | 1 |
| 8 | 537 09 22-01 | TANK VENT ASSY | | 1 | 1 |
| 9 | 537 09 93-01 | CONNECTION BEND | | 1 | 1 |
| 10 | 503 21 88-74 | SCREW IHSCT | | 1 | 1 |
| 11 | 537 00 88-01 | COVER | | 1 | 1 |
| 12 | 537 03 34-01 | HANDLE INSERT | | 1 | |
| 13 | 537 01 79-01 | INSULATOR | | 2 | |
| 13 | 537 01 79-02 | INSULATOR | Hard | 2 | |
| 14 | 537 03 34-01 | HANDLE INSERT | | 1 | |
| 16 | 589 24 11-01 | GASKET | | 1 | 18 |
| 17 | 503 57 89-01 | HOLDER | | 1 | 18 |
| 18 | 537 21 52-07 | TANK CAP ASSY | | 1 | |
| 19 | 537 01 75-01 | INSULATOR | | 1 | |
| 19 | 537 01 75-02 | INSULATOR | Hard | 1 | |
| 20 | 503 44 32-01 | FUEL FILTER | | 1 | |
| 21 | 581 75 62-02 | FUEL HOSE | | 1 | |
| 22 | 503 55 66-01 | THROTTLE LOCKOUT | | 1 | 1 |
| 23 | 501 49 27-03 | BLIND COVER | | 1 | 1 |



CRANKCASE

390XP from 2018-12

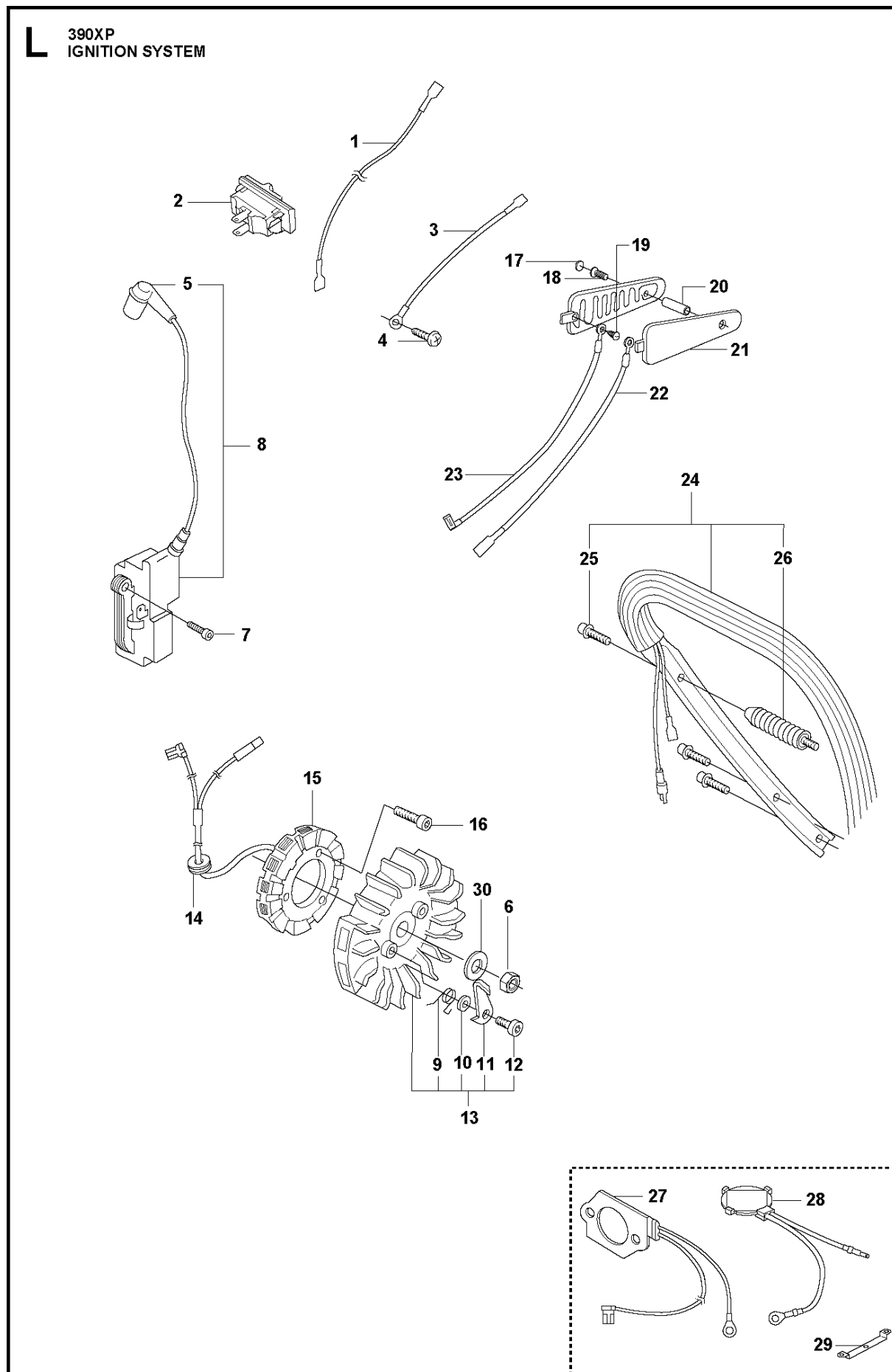
| Ref | Part No | Description | Remark | QTY | KIT |
|-----|--------------|-----------------|--------------------|-----|-----|
| 1 | 503 99 11-05 | CRANKCASE ASSY | | 1 | |
| 2 | 503 96 70-01 | BUSHING | | 1 | 1 |
| 3 | 503 75 18-01 | PIN KNEE-JOINT | | 1 | 1 |
| 4 | 501 27 08-01 | GUIDE BUSHING | | 1 | 1 |
| 5 | 537 04 03-01 | VALVE | | 1 | 1 |
| 6 | 503 21 88-74 | SCREW IH SCT | | 1 | |
| 7 | 501 27 08-01 | GUIDE BUSHING | | 1 | 1 |
| 8 | 537 05 13-01 | BAR BOLT | | 2 | 1 |
| 9 | 503 74 93-01 | SCREW | | 1 | |
| 10 | 503 21 88-74 | SCREW IH SCT | | 1 | |
| 11 | 503 21 28-10 | SCREW CCRPANT | | 1 | |
| 12 | 537 04 66-01 | KIT | | 1 | |
| 13 | 503 20 02-12 | SCREW IHSCFM | | 4 | |
| 14 | 503 73 44-01 | GROMMET | | 1 | |
| 15 | 537 00 14-02 | CARBURETTOR | | 1 | |
| 16 | 537 00 12-01 | CHOKE CONTROL | | 1 | |
| 17 | 579 46 89-01 | SUPPORT | | 1 | |
| 18 | 537 09 54-01 | GROMMET | | 1 | |
| 19 | 503 21 88-74 | SCREW IH SCT | | 1 | |
| 20 | 503 74 93-01 | SCREW | | 1 | |
| 21 | 503 20 02-12 | SCREW IHSCFM | | 1 | |
| 22 | 537 00 79-01 | AIR NOZZLE | | 1 | |
| 23 | 503 26 02-05 | SEALING RING | | 1 | |
| 24 | 503 84 61-01 | BUFFER | | 2 | |
| 25 | 503 74 93-01 | SCREW | | 1 | |
| 27 | 589 24 11-01 | GASKET | | 1 | 29 |
| 28 | 503 57 89-01 | HOLDER | | 1 | 29 |
| 29 | 537 21 52-07 | TANK CAP ASSY | | 1 | |
| 30 | 503 22 24-01 | LOCK NUT | | 1 | |
| 31 | 537 08 92-01 | CHAIN CATCHER | | 1 | |
| 32 | 537 02 44-01 | WEAR PROTECTION | | 1 | |
| 33 | 503 20 02-30 | SCREW IHSCFM | | 1 | |
| 34 | 537 01 71-01 | SPIKE | | 1 | |
| 35 | 503 21 26-16 | SCREW IHPANM | | 2 | |
| 36 | 537 04 29-01 | BUMPER | | 1 | |
| 37 | 537 01 72-01 | SPIKE | WA | 1 | |
| 38 | 503 20 16-35 | SCREW IHSCFM | | 6 | |
| 39 | 537 03 39-01 | GASKET KIT | A = Set of gaskets | 1 | |
| 40 | 725 52 87-56 | SCREW IHSCM | | 3 | |



HANDLE

390XP from 2018-12

| Ref | Part No | Description | Remark | QTY KIT | |
|-----|--------------|-----------------------|--------|---------|---|
| 1 | 503 98 66-71 | FRONT HANDLE ASSY | | 1 | |
| | 503 98 66-02 | FRONT HANDLE ASSY | (G) | 1 | |
| 2 | 503 21 88-74 | SCREW IHSCT | | 5 | 1 |
| 3 | 503 52 87-02 | INSULATOR | | 1 | 1 |
| 4 | 503 98 67-71 | FRONT HANDLE ASSY | WA | 1 | |
| 4 | 503 98 67-72 | FRONT HANDLE ASSY | WA (G) | 1 | |
| 5 | 503 52 87-02 | INSULATOR | WA | 1 | 4 |
| 5 | 503 68 45-03 | ANTIVIBRATION ELEMENT | WA (G) | 1 | |
| 6 | 503 21 88-74 | SCREW IHSCT | WA | 5 | 4 |
| 7 | 537 03 73-01 | REINFORCING PLATE | WA | 1 | 8 |
| 8 | 588 84 63-01 | HANDLE | | 1 | |

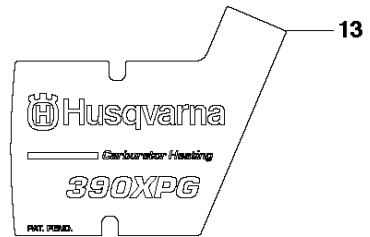
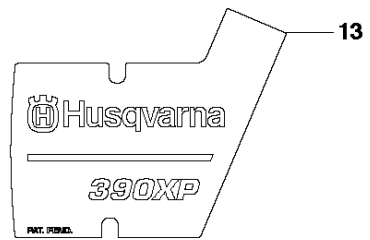
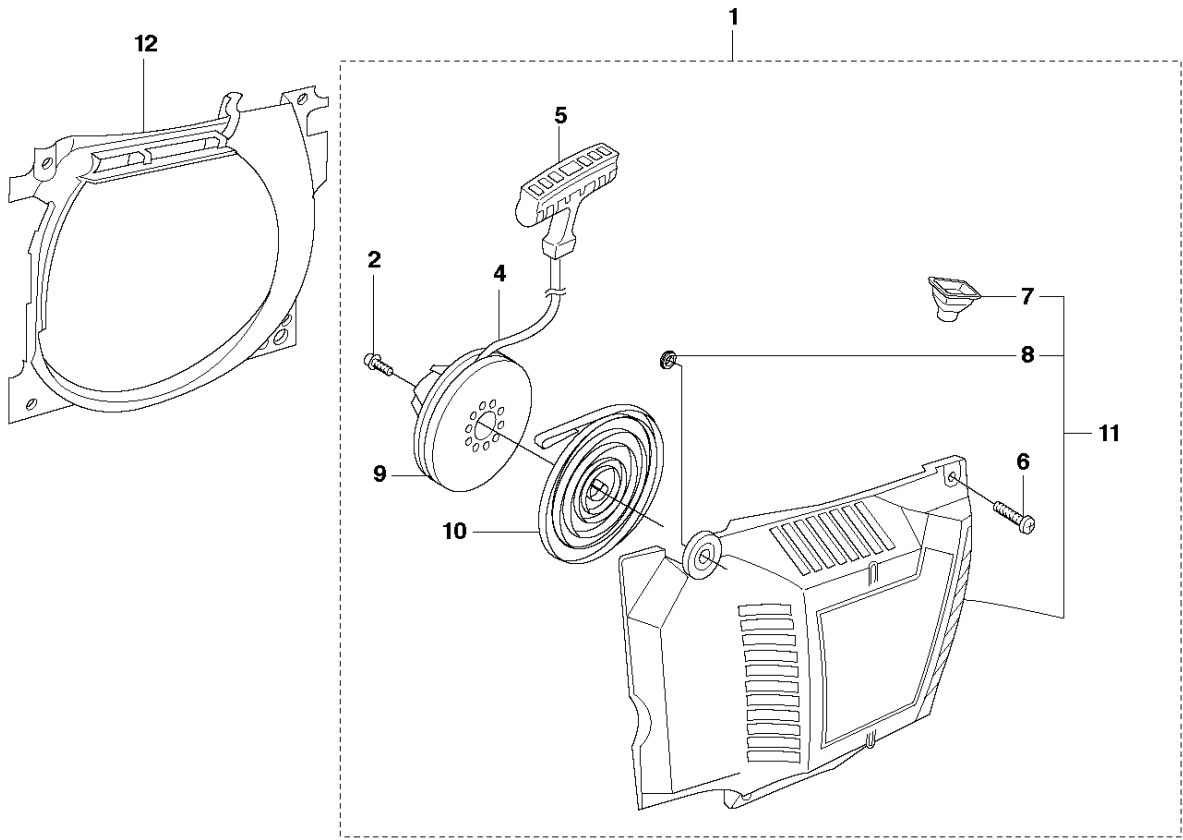


IGNITION SYSTEM

390XP from 2018-12

| Ref | Part No | Description | Remark | QTY | KIT |
|-----|--------------|-----------------------|---------------|-----|-----|
| 1 | 503 62 61-02 | CABLE | | 1 | |
| 2 | 503 71 82-01 | SWITCH | | 1 | |
| 2 | 503 71 82-02 | SWITCH | G | 1 | |
| 3 | 503 89 76-01 | CABLE | | 1 | |
| 4 | 503 21 28-10 | SCREW CCRPANT | | 1 | |
| 5 | 501 48 54-02 | SPARK PLUG CAP | | 1 | |
| 6 | 503 22 10-11 | HEXAGON NUT | | 1 | |
| 7 | 586 28 93-01 | SCREW IHSCM | | 2 | |
| 8 | 510 11 49-02 | IGNITION MODULE | Speed limited | 1 | |
| 9 | 501 67 35-01 | SPRING | | 2 | 13 |
| 10 | 503 23 00-42 | WASHER | | 2 | 13 |
| 11 | 537 01 55-01 | STARTER PAWL | | 2 | 13 |
| 12 | 501 81 99-01 | SCREW | | 2 | 13 |
| 13 | 537 05 16-05 | FLYWHEEL ASSY | | 1 | |
| 13 | 537 05 16-06 | FLYWHEEL ASSY | G | 1 | |
| 14 | 501 27 13-02 | CABLE GROMMET | G | 1 | |
| 15 | 537 07 18-02 | STATOR ASSY | G | 1 | |
| 16 | 725 52 91-56 | SCREW IHSCM | G | 3 | |
| 17 | 501 79 51-02 | COVER WASHER | G | 2 | |
| 18 | 724 32 24-05 | SCREW CRCSFM | G | 2 | |
| 19 | 503 21 29-06 | SCREW CCRPANT | G | 2 | |
| 20 | 537 05 26-01 | SPACER | G | 1 | |
| 21 | 501 62 93-08 | HANDLE INSERT | G | 2 | |
| 22 | 537 04 06-01 | CABLE | G | 1 | |
| 23 | 537 04 05-01 | CABLE | G | 1 | |
| 24 | 503 98 66-72 | FRONT HANDLE ASSY | G | 1 | |
| 25 | 503 21 88-74 | SCREW IHSCM | | 5 | 24 |
| 26 | 503 68 45-03 | ANTIVIBRATION ELEMENT | | 1 | 24 |
| 27 | 537 06 53-02 | FOIL ELEMENT | | 1 | |
| 28 | 537 18 98-01 | THERMOSTAT ASSY | | 1 | |
| 29 | 537 06 32-01 | RETAINER | | 1 | |
| 30 | 503 08 52-01 | WASHER | | 1 | |

M 390, 390EPA
STARTER



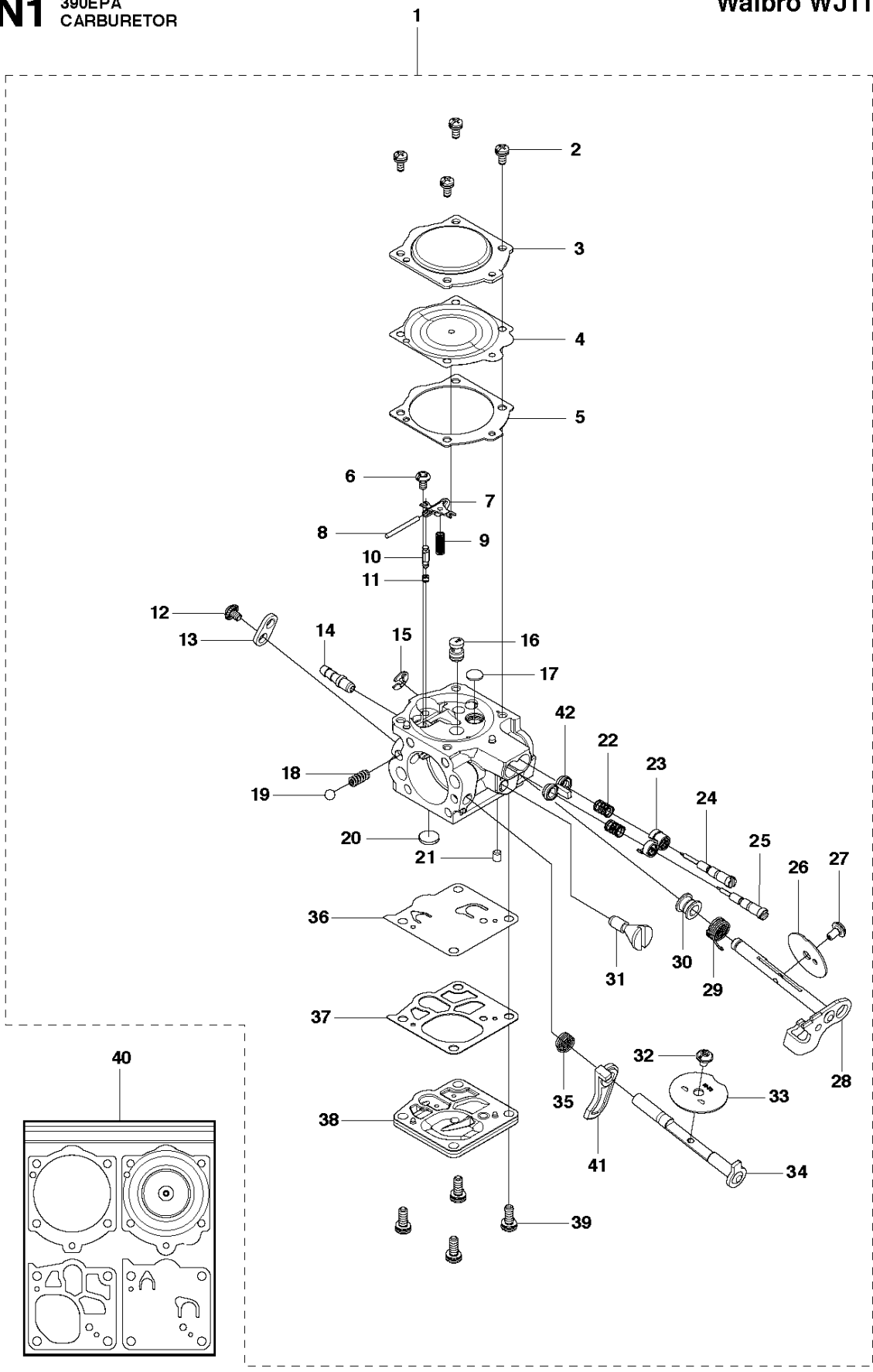
STARTER

390XP from 2018-12

| Ref | Part No | Description | Remark | QTY | KIT |
|-----|--------------|-----------------|--------|-----|------|
| 1 | 537 00 38-71 | STARTER ASSY | | 1 | |
| 2 | 503 21 52-16 | SCREW IHSCFT | | 1 | 1 |
| 4 | 503 43 29-02 | STARTER CORD | | 1 | 1 |
| 5 | 503 54 39-01 | STARTER HANDLE | | 1 | 1 |
| 6 | 544 08 03-01 | SCREW | | 4 | 1,11 |
| 7 | 501 63 06-01 | SLEEVE | | 1 | 1,11 |
| 8 | 537 08 67-01 | BUSHING | | 1 | 1,11 |
| 9 | 503 85 96-01 | STARTER PULLEY | | 1 | 1 |
| 10 | 503 78 72-01 | RECOIL SPRING | | 1 | 1 |
| 11 | 537 00 39-71 | STARTER HOUSING | | 1 | 1 |
| 12 | 537 00 13-01 | AIR CONDUCTOR | | 1 | |
| 13 | 537 32 70-03 | LABEL | | 1 | |
| 13 | 537 32 70-04 | LABEL | G | 1 | |

N1 390EPA
CARBURETOR

Walbro WJ116



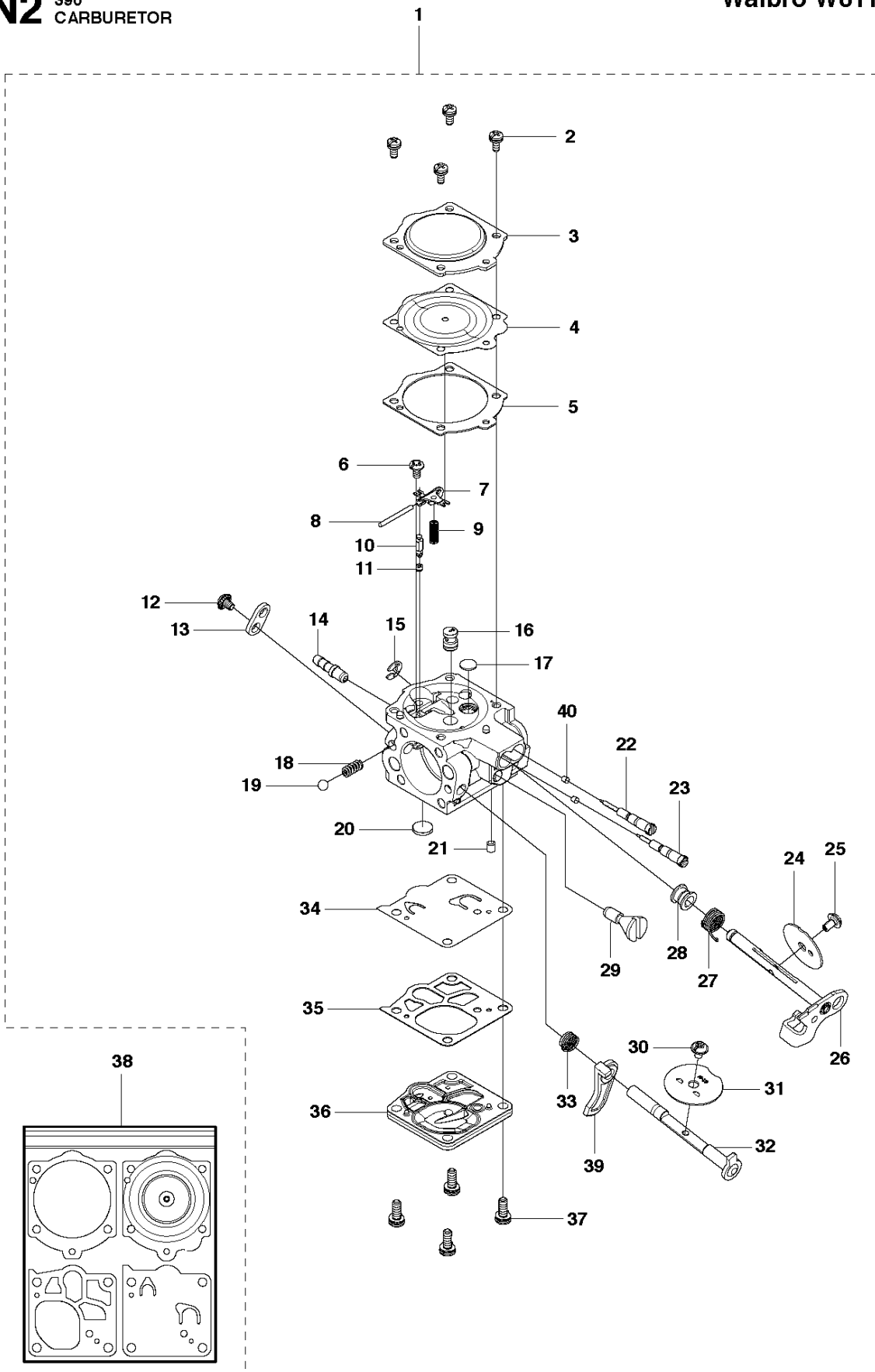
CARBURETOR

390XP from 2018-12

| Ref | Part No | Description | Remark | QTY | KIT |
|-----|--------------|----------------------|----------------|-----|-------|
| 1 | 501 35 52-01 | CARBURETTOR | | 1 | |
| 2 | 503 10 87-01 | SCREW | | 4 | 1 |
| 3 | 505 31 67-02 | COVER | | 1 | 1 |
| 4 | 505 31 67-15 | DIAPHRAGM ASSY | | 1 | 1, 40 |
| 5 | 501 46 75-01 | GASKET | | 1 | 1, 40 |
| 6 | 505 31 67-17 | SCREW | | 1 | 1 |
| 7 | 505 31 67-34 | LEVER | | 1 | 1 |
| 8 | 505 31 67-31 | PIN | | 1 | 1 |
| 9 | 504 79 12-01 | SPRING | | 1 | 1 |
| 10 | 503 56 34-01 | NEEDLE VALVE | | 1 | 1 |
| 11 | 503 59 23-01 | SEAT-IN VALVE PLATED | | 1 | 1 |
| 12 | 501 46 87-01 | SCREW | | 1 | 1 |
| 13 | 504 79 07-01 | LEVER | | 1 | 1 |
| 14 | 505 69 69-01 | FITTING | | 1 | 1 |
| 15 | 505 31 67-36 | RING | | 1 | 1 |
| 16 | 504 79 09-01 | NOZZLE | | 1 | 1 |
| 17 | 504 79 08-01 | PLUG | | 1 | 1 |
| 18 | 503 11 77-01 | SPRING | | 1 | 1 |
| 19 | 503 11 71-01 | BALL | | 1 | 1 |
| 20 | 501 66 61-01 | SCREEN | | 1 | 1 |
| 21 | 503 80 05-01 | PLUG | | 1 | 1 |
| 22 | 544 97 10-01 | SPRING | | 2 | 1 |
| 23 | 544 97 08-01 | LIMITER CAP | | 2 | 1 |
| 24 | 504 79 18-01 | NEEDLE | Low speed | 1 | 1 |
| 25 | 544 97 13-01 | NEEDLE | High speed | 1 | 1 |
| 26 | 503 80 00-01 | VALVE | | 1 | 1 |
| 27 | 544 11 15-01 | SCREW | | 1 | 1 |
| 28 | 504 79 04-01 | SHAFT ASSY | | 1 | 1 |
| 29 | 576 13 82-01 | SPRING | | 1 | 1 |
| 30 | 502 10 31-01 | BUSHING | | 1 | 1 |
| 31 | 504 79 11-01 | SCREW | | 1 | 1 |
| 32 | 537 00 34-01 | SCREW | | 1 | 1 |
| 33 | 505 31 67-07 | VALVE-CHOKE | | 1 | 1 |
| 34 | 504 79 05-01 | SHAFT ASSY | | 1 | 1 |
| 35 | 504 79 15-01 | SPRING | | 1 | 1 |
| 36 | 544 89 72-01 | DIAPHRAGM PUMP | | 1 | 1, 40 |
| 37 | 503 11 72-01 | GASKET | | 1 | 1, 40 |
| 38 | 504 79 03-01 | COVER | | 1 | 1 |
| 39 | 503 11 75-01 | SCREW | | 4 | 1 |
| 40 | 522 59 18-01 | KIT | Set of gaskets | 1 | |
| 41 | 537 40 92-01 | LEVER | | 1 | |
| 42 | 544 97 14-01 | RETAINER | | 1 | |

N2 390
CARBURETOR

Walbro WJ118

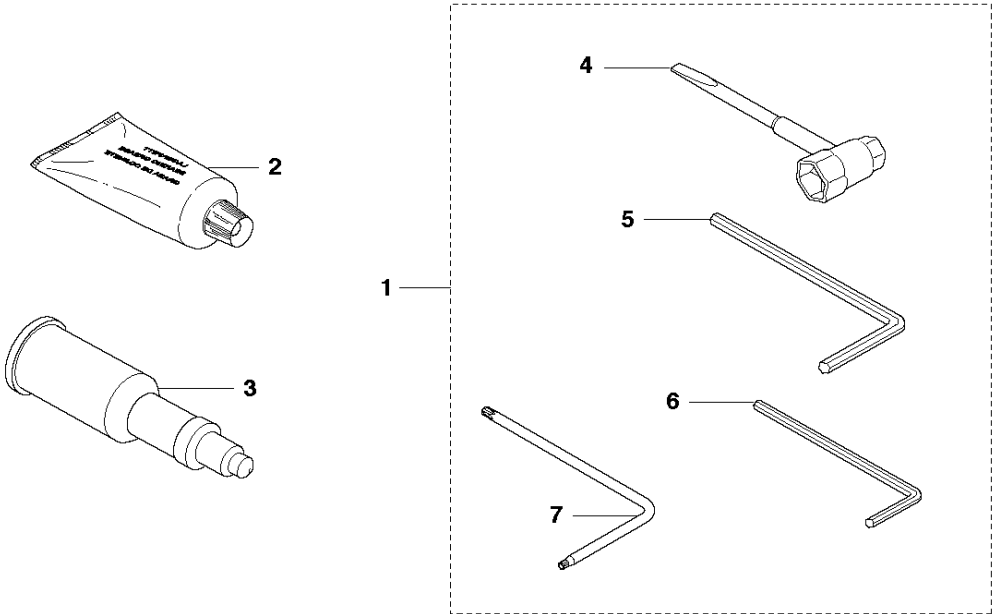


CARBURETOR

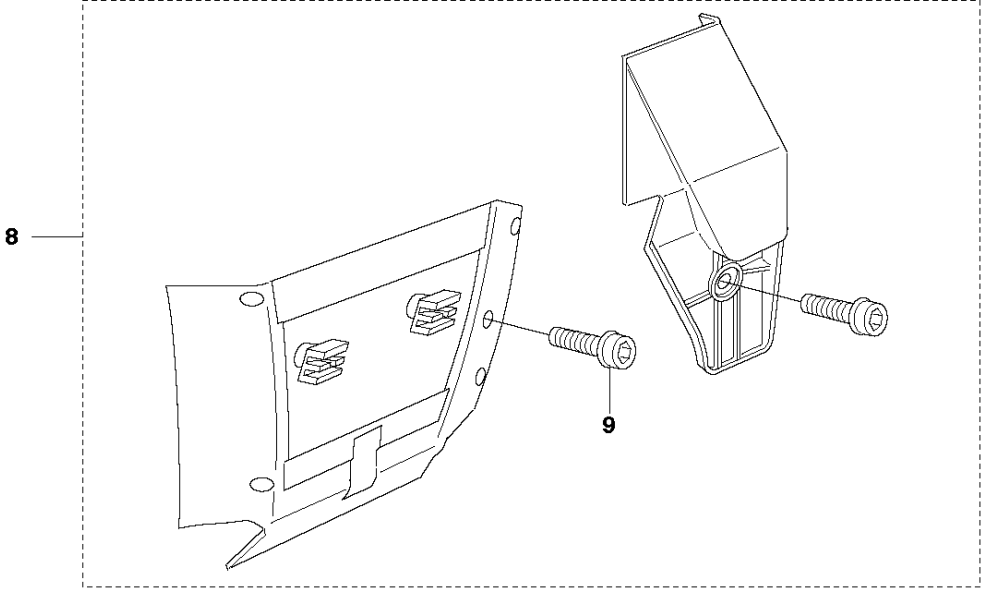
390XP from 2018-12

| Ref | Part No | Description | Remark | QTY | KIT |
|-----|--------------|----------------------|----------------|-----|-------|
| 1 | 501 35 54-01 | CARBURETTOR | | 1 | |
| 2 | 503 10 87-01 | SCREW | | 4 | 1 |
| 3 | 505 31 67-02 | COVER | | 1 | 1 |
| 4 | 505 31 67-15 | DIAPHRAGM ASSY | | 1 | 1, 38 |
| 5 | 501 46 75-01 | GASKET | | 1 | 1, 38 |
| 6 | 505 31 67-17 | SCREW | | 1 | 1 |
| 7 | 505 31 67-34 | LEVER | | 1 | 1 |
| 8 | 505 31 67-31 | PIN | | 1 | 1 |
| 9 | 504 79 12-01 | SPRING | | 1 | 1 |
| 10 | 503 56 34-01 | NEEDLE VALVE | | 1 | 1 |
| 11 | 503 59 23-01 | SEAT-IN VALVE PLATED | | 1 | 1 |
| 12 | 501 46 87-01 | SCREW | | 1 | 1 |
| 13 | 504 79 07-01 | LEVER | | 1 | 1 |
| 14 | 505 69 69-01 | FITTING | | 1 | 1 |
| 15 | 505 31 67-36 | RING | | 1 | 1 |
| 16 | 504 79 09-01 | NOZZLE | | 1 | 1 |
| 17 | 504 79 08-01 | PLUG | | 1 | 1 |
| 18 | 503 11 77-01 | SPRING | | 1 | 1 |
| 19 | 503 11 71-01 | BALL | | 1 | 1 |
| 20 | 501 66 61-01 | SCREEN | | 1 | 1 |
| 21 | 503 80 05-01 | PLUG | | 1 | 1 |
| 22 | 505 50 91-01 | NEEDLE | Low speed | 1 | 1 |
| 23 | 505 50 92-01 | NEEDLE | High speed | 1 | 1 |
| 24 | 503 80 00-01 | VALVE | | 1 | 1 |
| 25 | 544 11 15-01 | SCREW | | 1 | 1 |
| 26 | 504 79 04-01 | SHAFT ASSY | | 1 | 1 |
| 27 | 576 13 82-01 | SPRING | | 1 | 1 |
| 28 | 502 10 31-01 | BUSHING | | 1 | 1 |
| 29 | 504 79 11-01 | SCREW | | 1 | 1 |
| 30 | 537 00 34-01 | SCREW | | 1 | 1 |
| 31 | 505 31 67-07 | VALVE-CHOKE | | 1 | 1 |
| 32 | 504 79 05-01 | SHAFT ASSY | | 1 | 1 |
| 33 | 504 79 15-01 | SPRING | | 1 | 1 |
| 34 | 544 89 72-01 | DIAPHRAGM PUMP | | 1 | 1, 38 |
| 35 | 503 11 72-01 | GASKET | | 1 | 1, 38 |
| 36 | 504 79 03-01 | COVER | | 1 | 1 |
| 37 | 503 11 75-01 | SCREW | | 4 | 1 |
| 38 | 522 59 18-01 | KIT | Set of gaskets | 1 | |
| 39 | 537 40 92-01 | LEVER | | 1 | 1 |
| 40 | 544 89 81-01 | BUSHING | | 1 | 1 |

P 390XP
ACCESSORIES



WINTER KIT



ACCESSORIES

390XP from 2018-12

| Ref | Part No | Description | Remark | QTY KIT | |
|-----|--------------|--------------------|--------------|---------|---|
| 1 | 501 75 47-01 | TOOL KIT | | 1 | |
| 2 | 503 62 12-01 | GREASE | | 1 | |
| 3 | 501 91 14-01 | GREASE GUN | | 1 | |
| 4 | 503 13 96-01 | COMBINATION WRENCH | | 1 | 1 |
| 5 | 503 55 86-02 | SPANNER | NV5 | 1 | 1 |
| 6 | 503 55 86-01 | SPANNER | NV4 | 1 | 1 |
| 7 | 575 88 07-01 | WRENCH | TORX T27/T20 | 1 | 1 |
| 8 | 537 04 38-01 | WINTER KIT | Winter kit | 1 | |
| 9 | 503 21 70-16 | SCREW CCRPANT | | 2 | 8 |