

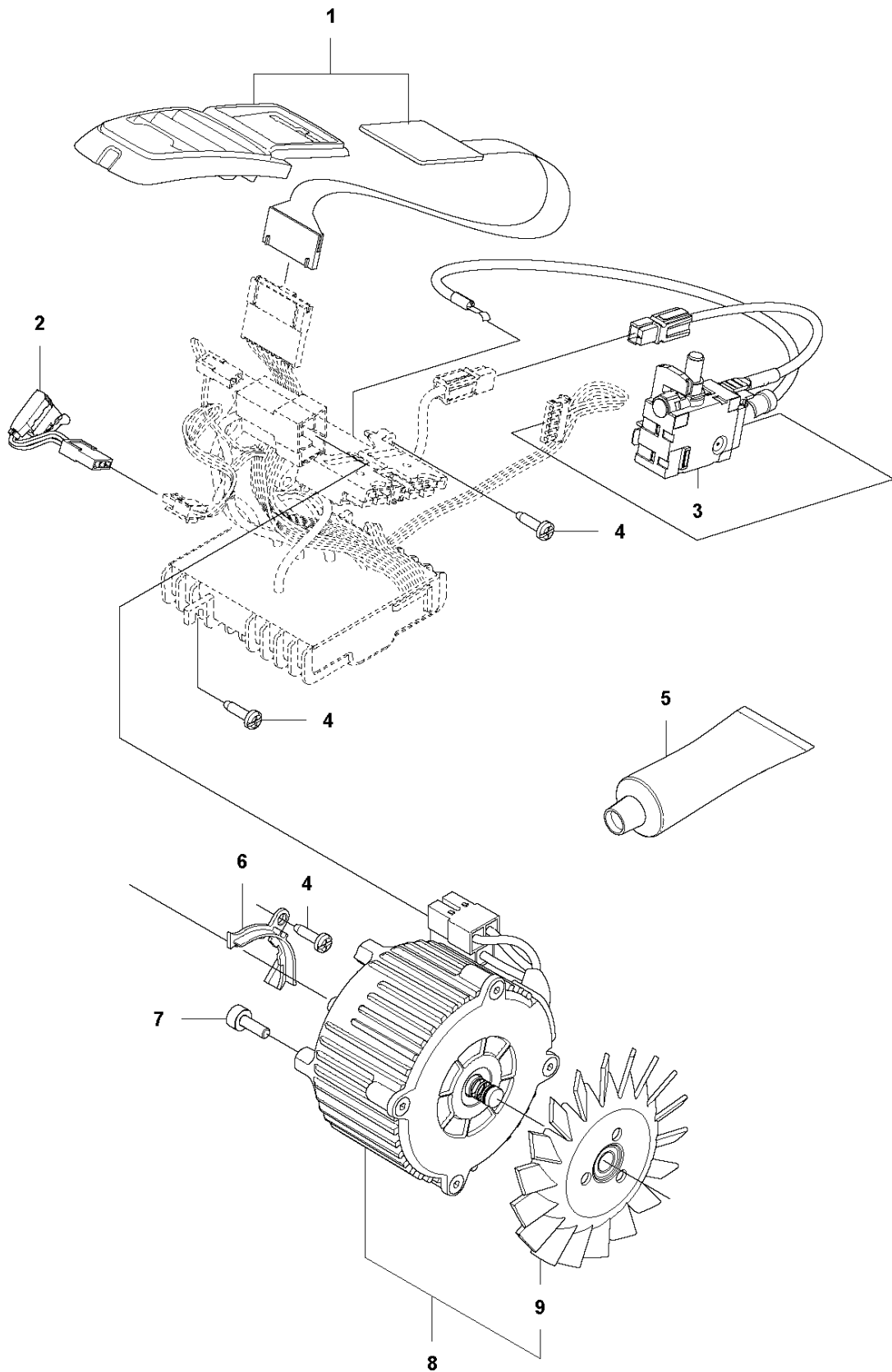


SPARE PARTS LIST

CHAIN SAWS

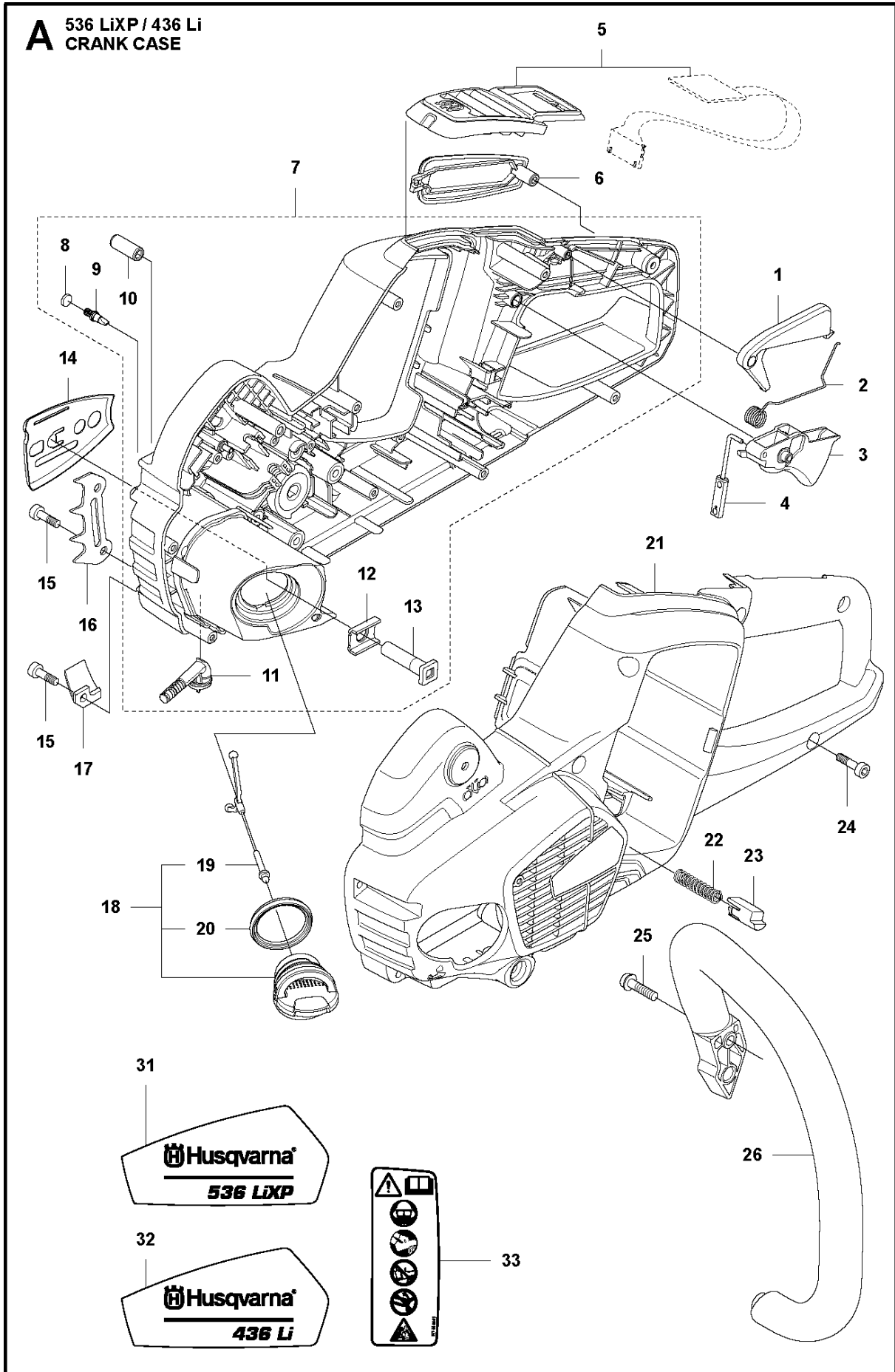
436Li

D1 536 LiXP / 436 Li
ELECTRIC, CONTROL UNIT GEN 1



Ref	Part No	Description	Remark	QTY KIT
1	581 65 96-01	COVER		1
2	577 82 77-01	WIRING ASSY		1
3	578 14 29-01	WIRING ASSY		1
4	503 21 28-13	SCREW CCRPANT		5
5	588 17 64-01	GREASE	For application instruction, see SB-1500022	1
6	577 58 52-01	COVER		1
7	503 20 25-12	SCREW IHSCM		4
8	577 31 58-02	MOTOR ASSY	Complete with fan	1
9	581 30 09-01	FAN		1

A 536 LiXP / 436 Li
CRANK CASE

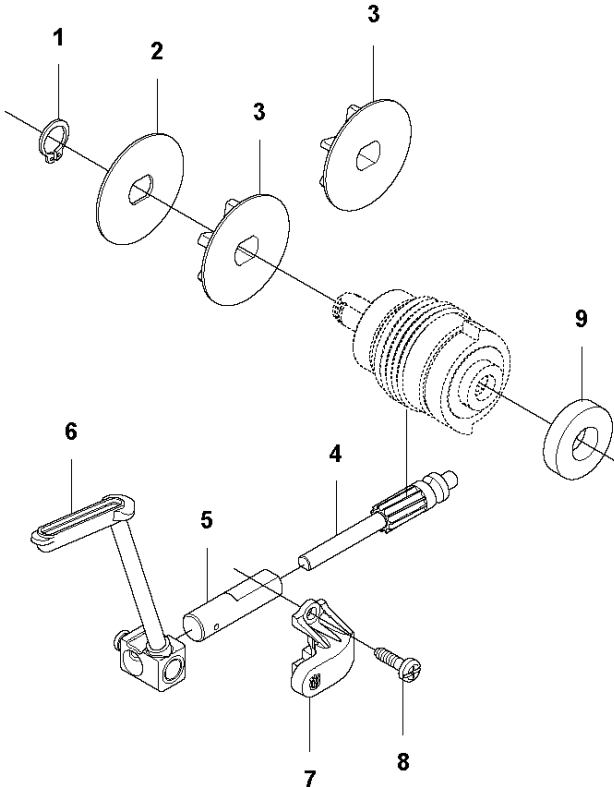


CRANKCASE

436Li

Ref	Part No	Description	Remark	QTY	KIT
1	506 49 57-01	THROTTLE LOCKOUT		2	
2	544 09 99-01	SPRING		1	
3	577 31 27-01	THROTTLE CONTROL		1	
4	577 85 51-01	THROTTLE ROD ASSY		1	
5	581 65 96-01	COVER	Only for products with Control unit - gen 1, 578 26 1 68-01	1	
6	577 26 19-01	HANDLE INSERT		1	
7	581 26 84-01	CRANKCASE ASSY		1	
8	537 40 35-01	FILTER		1	7
9	530 02 61-19	CHECK VALVE		1	7
10	501 62 33-01	SPRING PIN		1	7
11	581 12 02-01	OIL SCREEN		1	7
12	576 99 97-01	STIFFENING PLATE		1	7
13	503 87 54-01	BAR BOLT		1	7
14	576 90 14-01	CHAIN GUIDE		1	
15	503 21 74-16	SCREW IHST	Only 1 for 436Li	3	
16	577 28 66-01	INDRE BARKSTØD	Only for 536LiXP	1	
17	505 28 85-01	CHAIN CATCHER		1	
18	522 62 00-01	TANK CAP ASSY		1	
19	503 57 89-01	HOLDER		1	18
20	537 21 50-01	SEALING		1	18
21	577 06 34-02	CRANKCASE		1	
22	585 48 00-01	SPRING		1	
23	577 99 66-01	PUSH BUTTON		1	
24	503 21 66-74	SCREW IHST		9	
25	503 21 88-76	SCREW IHST		2	
26	577 06 35-01	FRONT HANDLE		1	
31	578 22 91-01	DECAL		1	
32	578 22 92-01	DECAL		1	
33	577 84 43-01	DECAL		1	

B 536 LiXP / 436 Li
CLUTCH

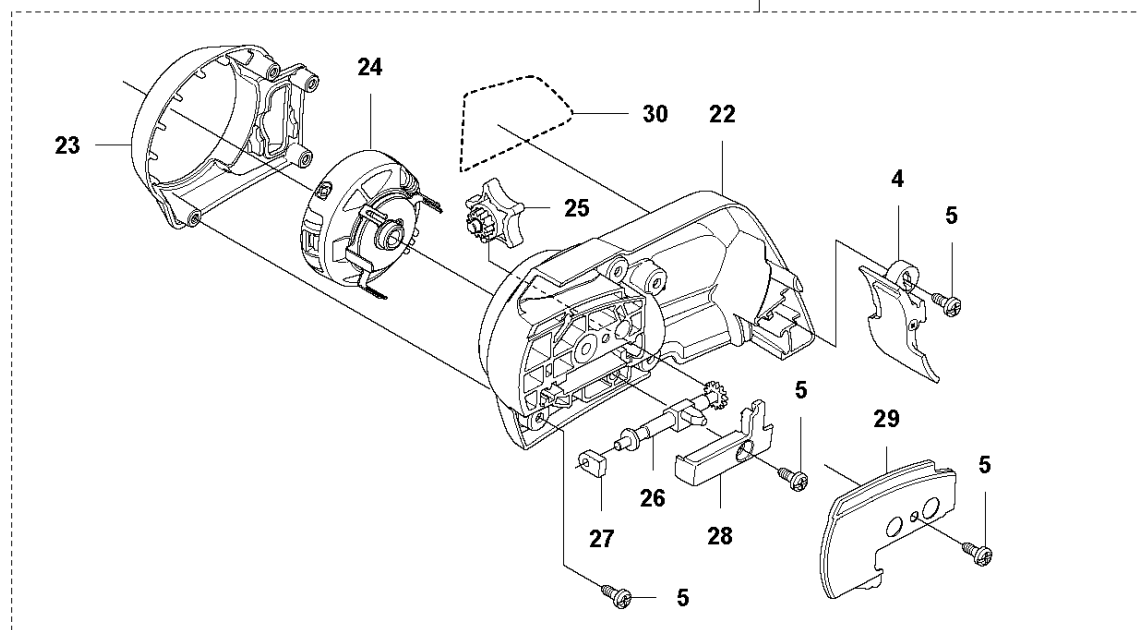
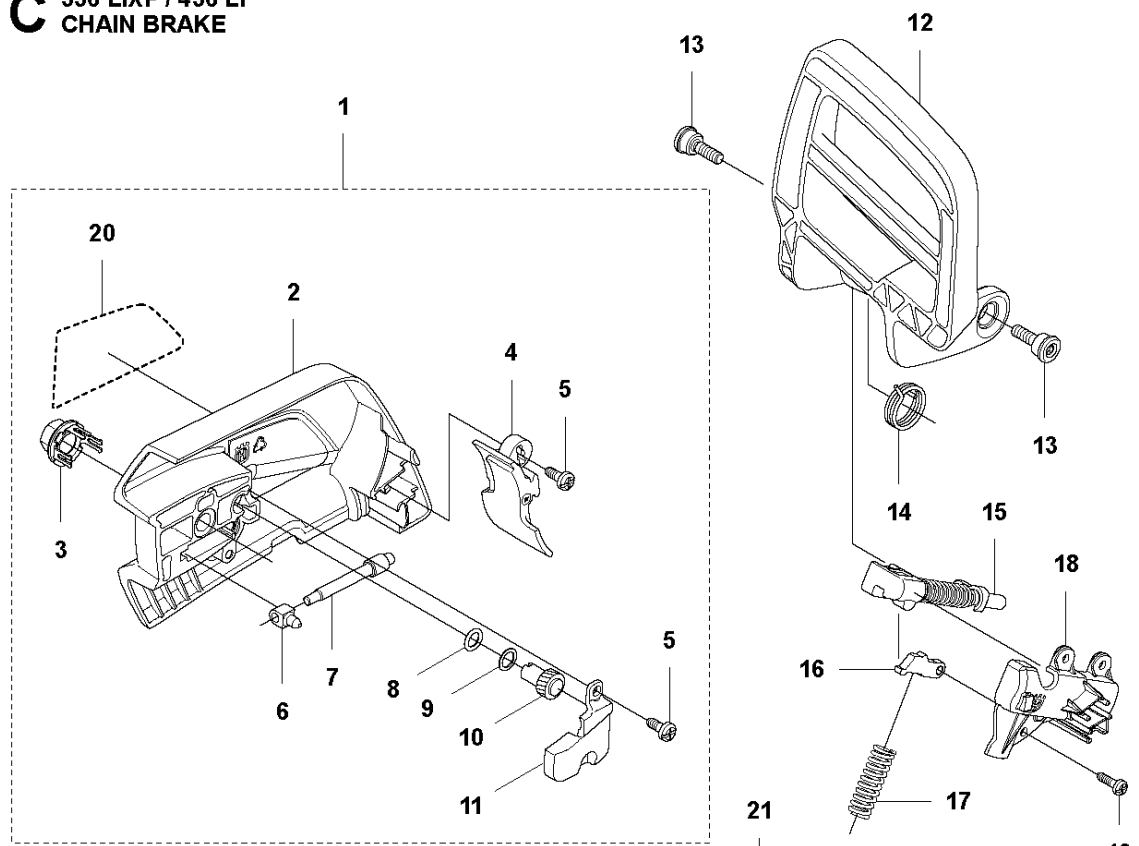


CLUTCH

436Li

Ref	Part No	Description	Remark	QTY KIT
1	735 31 12-00	CIRCLIP		1
2	577 27 15-01	WASHER		1
3	577 60 76-01	SPUR SPROCKET	"3/8"" - 6T"	1
3	579 53 45-01	SPUR SPROCKET	"1/4"" - 8T"	1
4	540 05 79-01	PUMP PISTON		1
5	537 15 48-01	PUMP CYLINDER		1
6	577 27 25-01	OIL HOSE		1
7	579 24 69-01	BRACKET		1
8	503 21 28-13	SCREW CCRPANT		2
9	580 76 06-01	DISTANCE		1

C 536 LiXP / 436 Li
CHAIN BRAKE



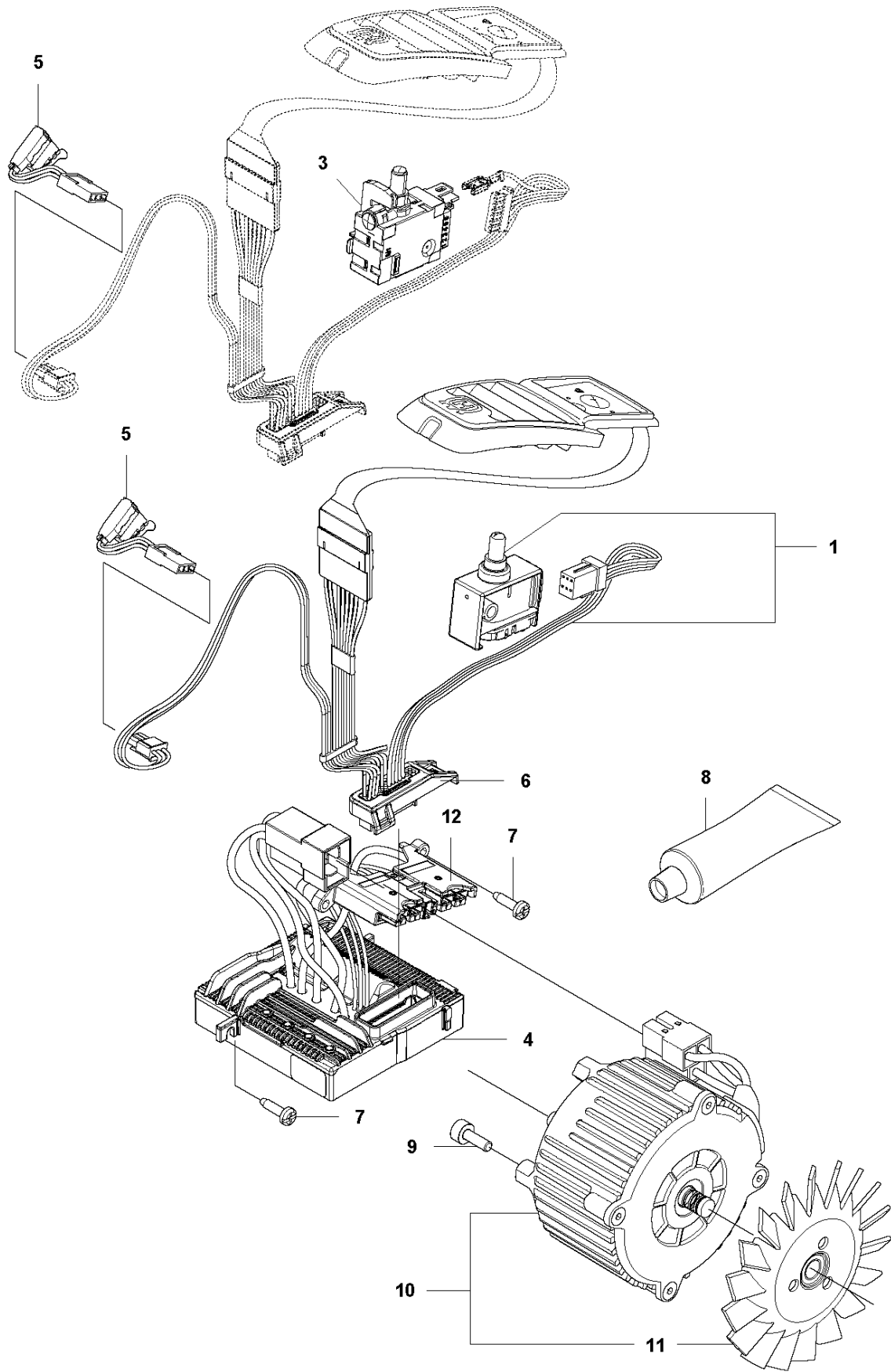
CHAIN BRAKE

436Li

Ref	Part No	Description	Remark	QTY KIT	
1	576 90 56-01	CLUTCH COVER ASSY	536 LiXP	1	
2	576 90 57-01	CLUTCH COVER		1	1
3	505 19 73-01	NUT		1	1
4	577 72 21-01	CHIP GUARD		1	1, 21.
5	503 21 70-72	SCREW CCRPANT			1, 21.
6	501 45 41-02	NUT		1	1
7	537 39 70-01	WORM SCREW		1	1
8	740 48 07-02	O-RING		1	1
9	503 23 00-63	WASHER		1	1
10	537 07 94-02	WORM WHEEL		1	1
11	505 21 45-01	COVER LID		1	1
12	576 90 39-01	HAND GUARD		1	
13	503 89 30-01	SCREW		2	
14	577 64 98-01	TORSION SPRING		1	
15	577 54 95-01	SHAFT ASSY		1	
16	577 27 20-01	CATCH		1	
17	576 90 46-01	SPRING		1	
18	577 36 56-01	BRACKET		1	
19	503 21 28-13	SCREW CCRPANT		3	
20	578 22 89-01	DECAL		1	1
21	578 91 42-01	CLUTCH COVER ASSY	436 Li	1	
22	578 79 06-01	CLUTCH COVER		1	21
23	578 77 94-01	COVER		1	21
24	537 34 78-03	KNOB		1	21
25	578 77 65-01	CHAIN TENSIONER		1	21
26	537 39 29-02	CHAIN TENSION SCREW		1	21
27	525 35 43-01	BEARING SLEEVE		1	21
28	504 54 28-01	COVER LID		1	21
29	578 77 82-01	WEAR PLATE		1	21
30	578 91 58-01	DECAL		1	21

D2 536 LiXP / 436 Li
ELECTRIC, CONTROL UNIT GEN 2

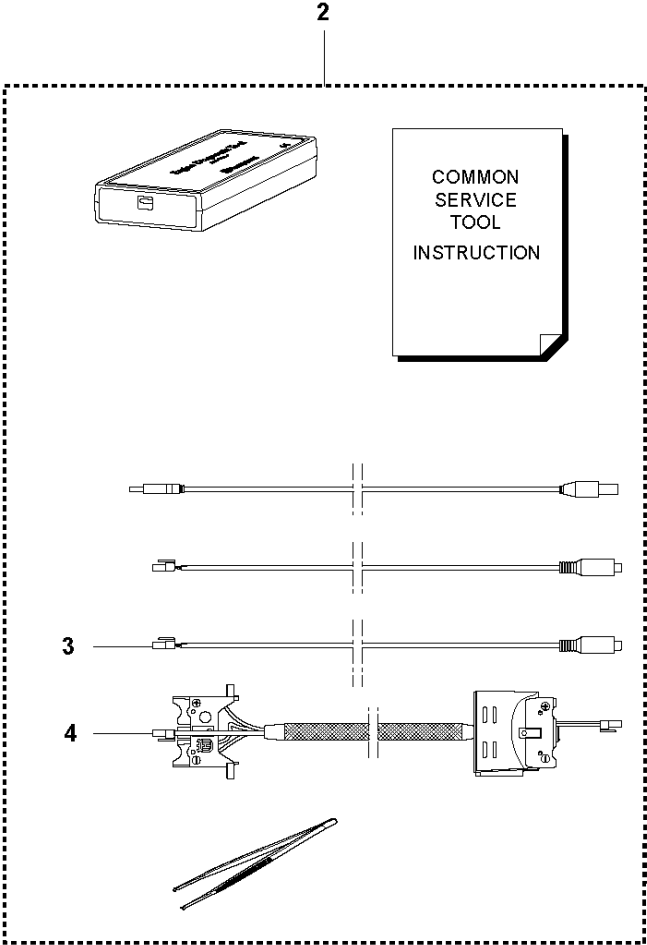
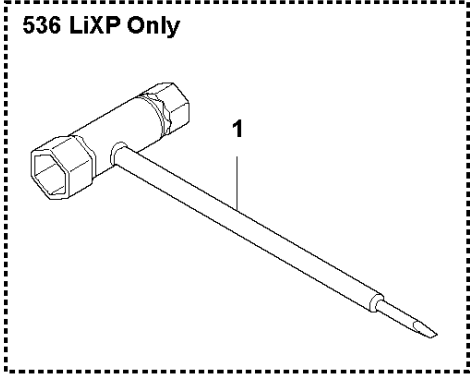
UP TO S/N 20180600001



Ref	Part No	Description	Remark	QTY KIT
1	593 89 60-01	SWITCH KIT		1
3	578 32 69-01	TRIGGER SWITCH		1
4	586 26 52-01	CONTROL UNIT		1
5	577 82 77-01	WIRING ASSY		1
6	587 32 72-01	BRACKET		1
7	503 21 28-13	SCREW CCRPANT		3
8	588 17 64-01	GREASE	For application instruction, see SB-1500022	1
9	503 20 25-12	SCREW IHSCM		1
10	577 31 58-02	MOTOR ASSY	Complete with fan	1
11	581 30 09-01	FAN		1
12	593 81 30-01	CONNECTOR		1

E 536 LiXP / 436 Li

ACCESSORIES



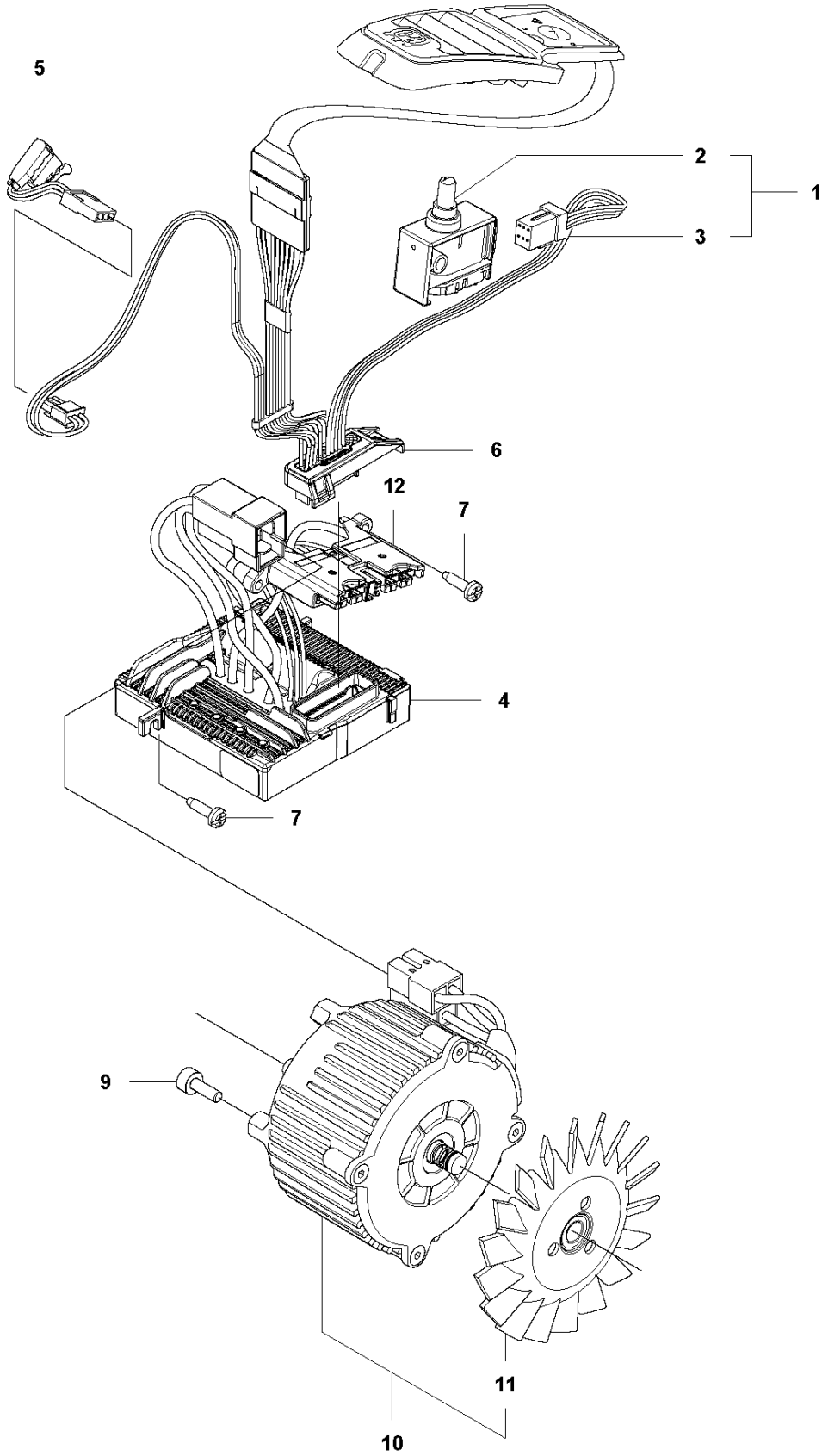
ACCESSORIES

436Li

Ref	Part No	Description	Remark	QTY	KIT
1	501 69 17-01	COMBINATION WRENCH		1	
2	583 89 71-01	DIAGNOSTIC TOOL KIT		1	
3	576 95 22-01	CABLE ASSY		1	2
4	579 62 13-01	WIRING ASSY		1	2

D3 536 LiXP / 436 Li
ELECTRIC, CONTROL UNIT GEN 2

FROM S/N 20180600001 -



ELECTRICAL

436Li

Ref	Part No	Description	Remark	QTY	KIT
1	593 89 60-01	SWITCH KIT		1	
2	582 05 07-01	TRIGGER SWITCH		1	1
3	582 71 33-01	WIRING ASSY		1	1
4	586 26 52-01	CONTROL UNIT	Replacing CU 578 26 68-01. For application, see SB-1500022	1	
5	577 82 77-01	WIRING ASSY		1	
6	587 32 72-01	BRACKET		1	
7	503 21 28-13	SCREW CCRPANT		3	
9	503 20 25-12	SCREW IHSCM		1	
10	577 31 58-02	MOTOR ASSY	Complete with fan	1	
11	581 30 09-01	FAN		1	
12	593 81 30-01	CONNECTOR		1	