

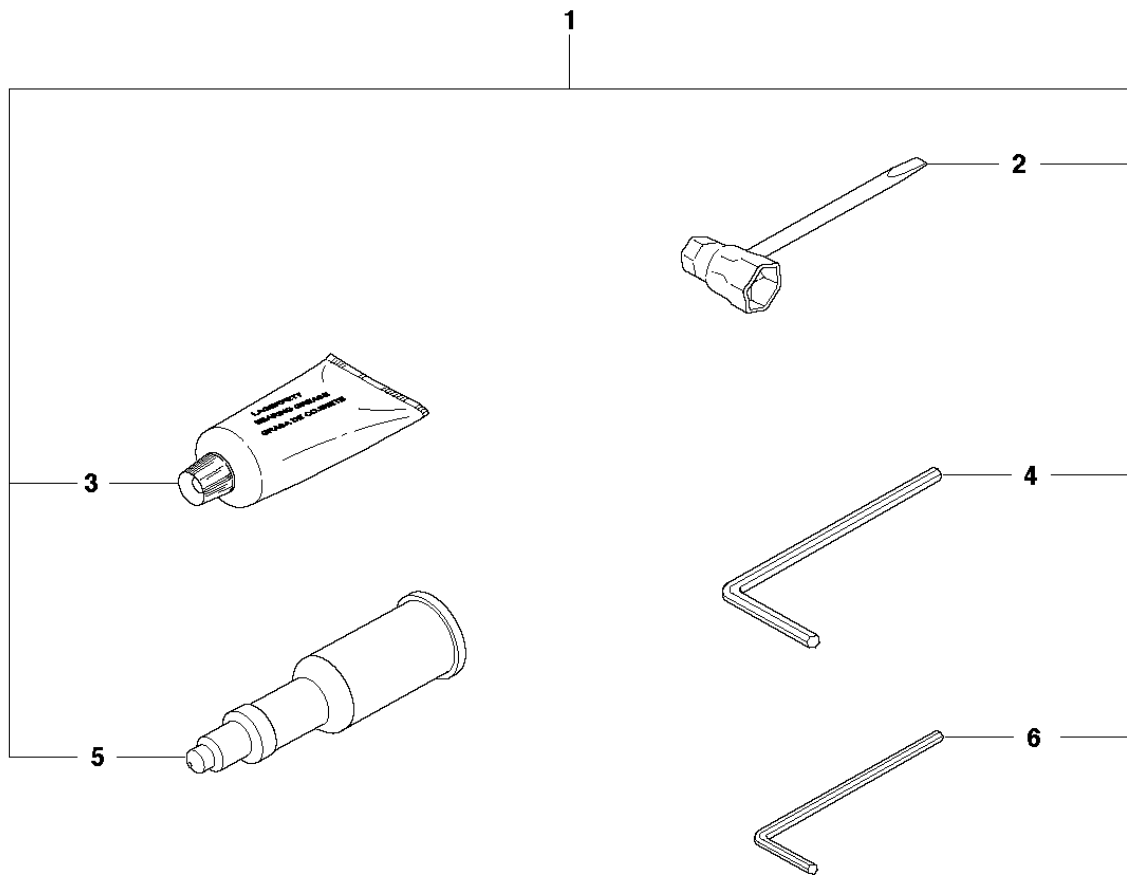


SPARE PARTS LIST

CHAIN SAWS

576 XP, 576 XP EPA, from 2011-01 -

S 576XP
ACCESSORIES



ACCESSORIES

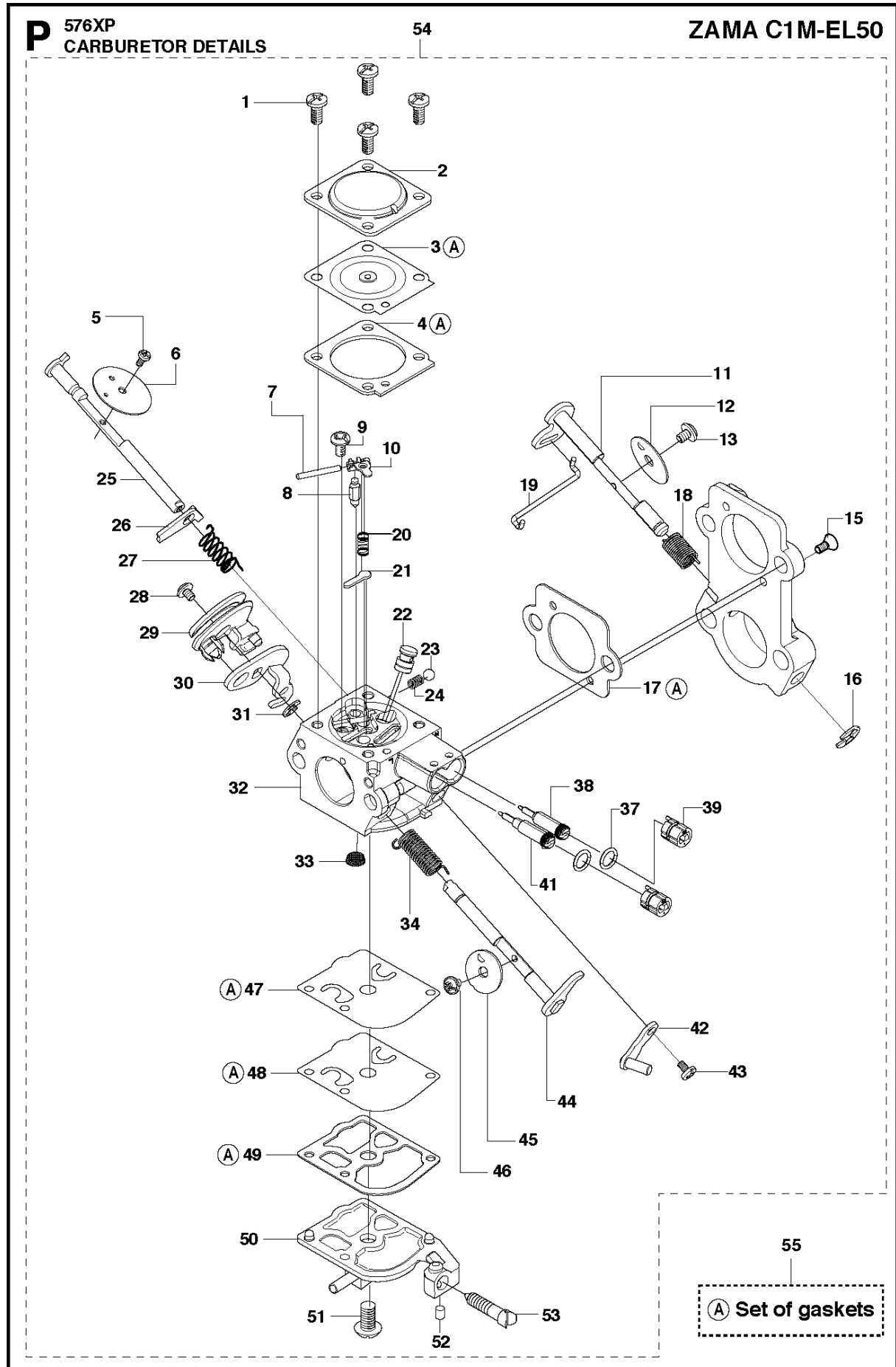
576 XP, 576 XP EPA, from 2011-01 -

Ref	Part No	Description	Remark	QTY	KIT
1	503 55 85-01	TOOL		1	
2	501 69 17-01	COMBINATION WRENCH		1	1
3	503 62 12-01	GREASE		1	1
4	503 55 86-02	SPANNER		1	1
5	501 91 14-01	GREASE GUN		1	1
6	503 55 86-01	SPANNER		1	1

CARBURETOR & AIR FILTER

576 XP, 576 XP EPA, from 2011-01 -

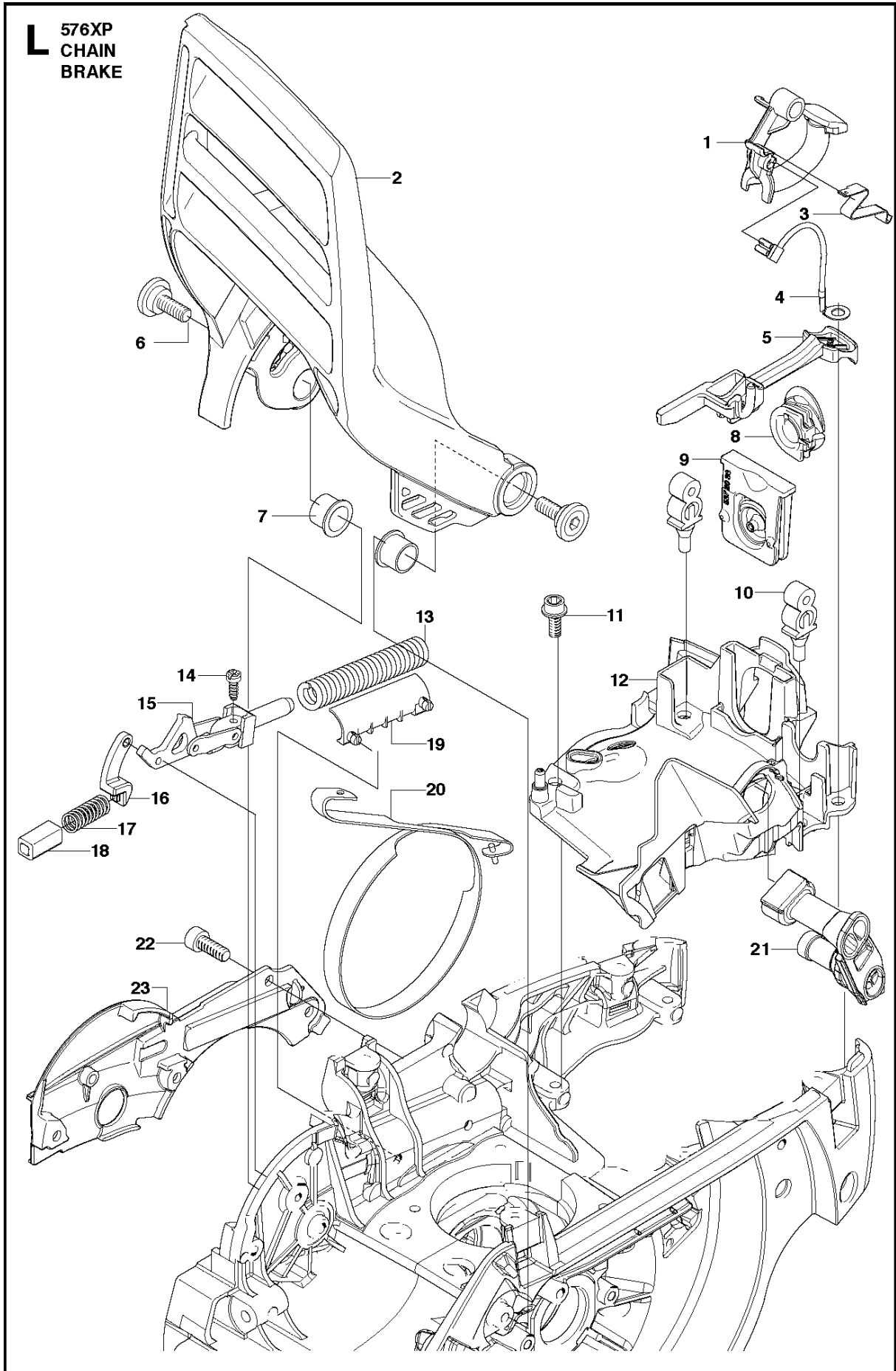
Ref	Part No	Description	Remark	QTY	KIT
1	503 20 25-20	SCREW IHSCM		2	
2	537 21 32-01	KNOB		1	
3	537 21 32-09	KNOB		1	4
4	576 48 63-04	AIR FILTER	80 My	1	
4	576 48 63-05	AIR FILTER	44 My	1	
4	576 48 63-06	AIR FILTER	Felt	1	
5	537 20 75-01	AIR FILTER	Felt	1	
5	537 20 75-02	AIR FILTER	80 My	1	
5	537 20 75-03	AIR FILTER	44 My	1	
6	503 20 39-01	SCREW IHSCM		2	
7	503 21 26-16	SCREW IHPANM		1	
8	731 23 14-01	HEXAGON NUT		1	12
9	537 21 04-01	ADAPTER		1	
10	731 23 14-01	HEXAGON NUT		1	9
11	537 21 37-01	LEVER		1	13
12	537 20 50-01	FILTER HOLDER		1	
13	580 73 58-01	CARBURETTOR		1	
14	537 20 46-01	SUPPORT SLEEVE		1	
15	503 22 65-03	SQUARE NUT		2	16
16	537 20 45-01	FLANGE		2	
17	537 20 47-01	INSULATION WALL		1	
18	537 20 49-01	FLANGE		1	
19	537 20 37-01	IMPULSE HOSE		1	
20	537 20 43-01	INLET PIPE		1	
20	585 48 43-01	INLET PIPE	Cold resistant Spare part only	1	
21	503 20 02-16	SCREW IHSCFM		3	



CARBURETOR DETAILS

576 XP, 576 XP EPA, from 2011-01 -

Ref	Part No	Description	Remark	QTY	KIT
1	503 48 05-01	SCREW		4	54
2	537 38 37-01	COVER		1	54
3	537 38 35-01	DIAPHRAGM		1	54, 55
4	537 38 36-01	GASKET		1	54, 55
5	503 48 18-01	SCREW		1	54
6	537 26 68-01	VALVE		1	54
7	503 48 00-01	PIN RETAINING SCREW		1	54
8	503 47 97-01	VALVE		1	54
9	503 48 01-01	SCREW		1	54
10	503 66 59-01	LEVER		1	54
11	544 23 78-01	SHAFT		1	54
12	537 17 70-01	VALVE		1	54
13	503 48 18-01	SCREW		1	54
15	537 38 51-01	SCREW		2	54
16	537 38 50-01	CLIP		1	54
17	537 38 53-01	GASKET		1	54, 55
18	537 38 55-01	SPRING		1	54
19	544 23 79-01	ROD		1	54
20	537 38 34-01	SPRING		1	54
21	503 53 56-01	PLUG WELCH		1	54
22	544 23 77-01	NOZZLE ASSY		1	54
23	537 01 25-01	BALL		1	54
24	537 01 26-01	SPRING		1	54
25	537 38 42-01	SHAFT ASSY		1	54
26	544 23 80-01	LEVER		1	54
27	537 38 44-01	SPRING		1	54
28	503 47 90-01	SCREW		1	54
29	537 21 37-01	LEVER		1	54
30	537 38 41-01	LEVER		1	54
31	504 02 67-01	CIRCLIP		1	54
32	579 46 25-01	CARBURETTOR		1	54
33	503 53 57-01	STRAINER		1	54
34	537 38 29-01	SPRING		1	54
37	503 97 40-01	WASHER		2	54
38	537 38 75-01	SCREW		1	54
39	537 41 70-01	LIMITER CAP		2	54
41	579 72 20-01	SCREW		1	54
42	537 38 45-01	LEVER		1	54
43	503 47 90-01	SCREW		1	54
44	577 37 05-01	THROTTLE SHAFT ASSY		1	54
45	537 38 30-01	VALVE		1	54
46	503 48 18-01	SCREW		1	54
47	537 38 31-01	DIAPHRAGM PUMP		1	54, 55
48	537 40 33-01	DIAPHRAGM		1	54, 55
49	537 02 01-01	GASKET PUMP		1	54, 55
50	502 07 89-01	COVER		1	54
51	503 47 96-01	SCREW		1	54
52	503 48 11-01	PIECE		1	54
53	537 38 33-01	SCREW		1	54
54	579 46 25-01	CARBURETTOR	ZAMA C1M-EL50	1	
55	537 38 56-01	GASKET KIT	A = Set of gaskets	1	

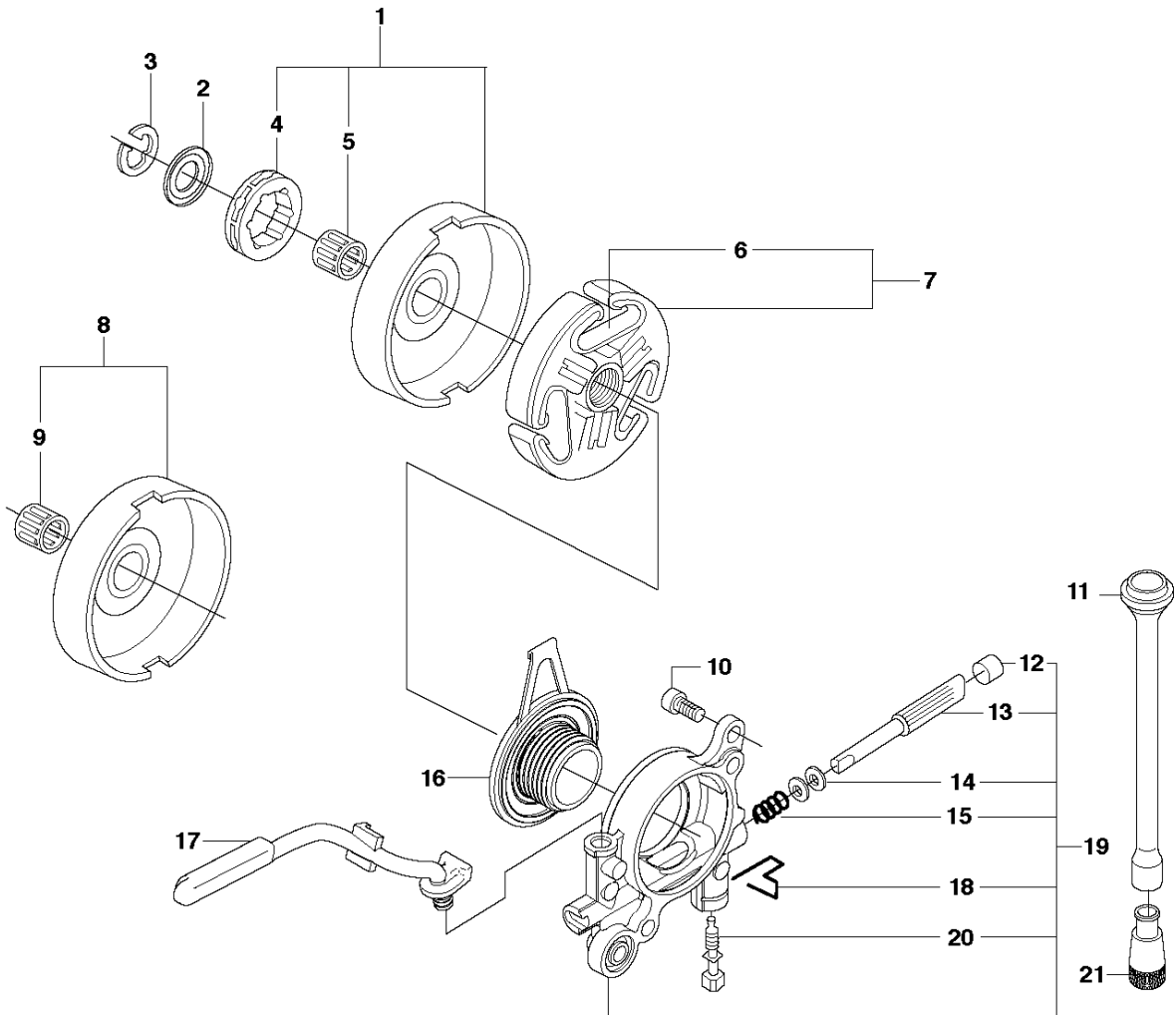


CHAIN BRAKE

576 XP, 576 XP EPA, from 2011-01 -

Ref	Part No	Description	Remark	QTY KIT
1	537 20 51-01	STOP CONTROL		1
2	537 20 27-01	HAND GUARD ASSY		1
3	503 86 97-02	SHORT CIRCUIT SPRING		1
4	537 20 87-01	GROUND CABLE		1
5	537 20 52-01	CHOKE CONTROL		1
6	537 20 90-01	SCREW		2
7	537 20 28-01	BUSHING		2
8	537 20 53-01	SEALING		1
9	537 20 38-01	GROMMET		1
10	503 86 93-01	CARBURETTOR MOUNTING		2
11	503 20 02-12	SCREW IHSCFM		4
12	537 20 35-01	CARBURETTOR AREA BAS		1
13	503 70 99-01	BRAKE SPRING		1
14	503 21 28-10	SCREW CCRPANT		1
15	501 87 53-04	KNEE JOINT		1
16	537 20 31-01	LOCK		1
17	503 43 65-01	POSITION SPRING		1
18	537 21 07-01	SPRING GUIDE		1
19	503 79 27-02	SUPPORT		1
20	503 75 22-02	BRAKE BAND ASSY		1
21	579 23 32-01	SLEEVE	s/n from 20123300020	1
22	503 21 70-72	SCREW CCRPANT		4
23	537 20 32-01	HUB CAP		1
21	537 20 36-01	GUIDE BUSHING	s/n up to 20123300019	1

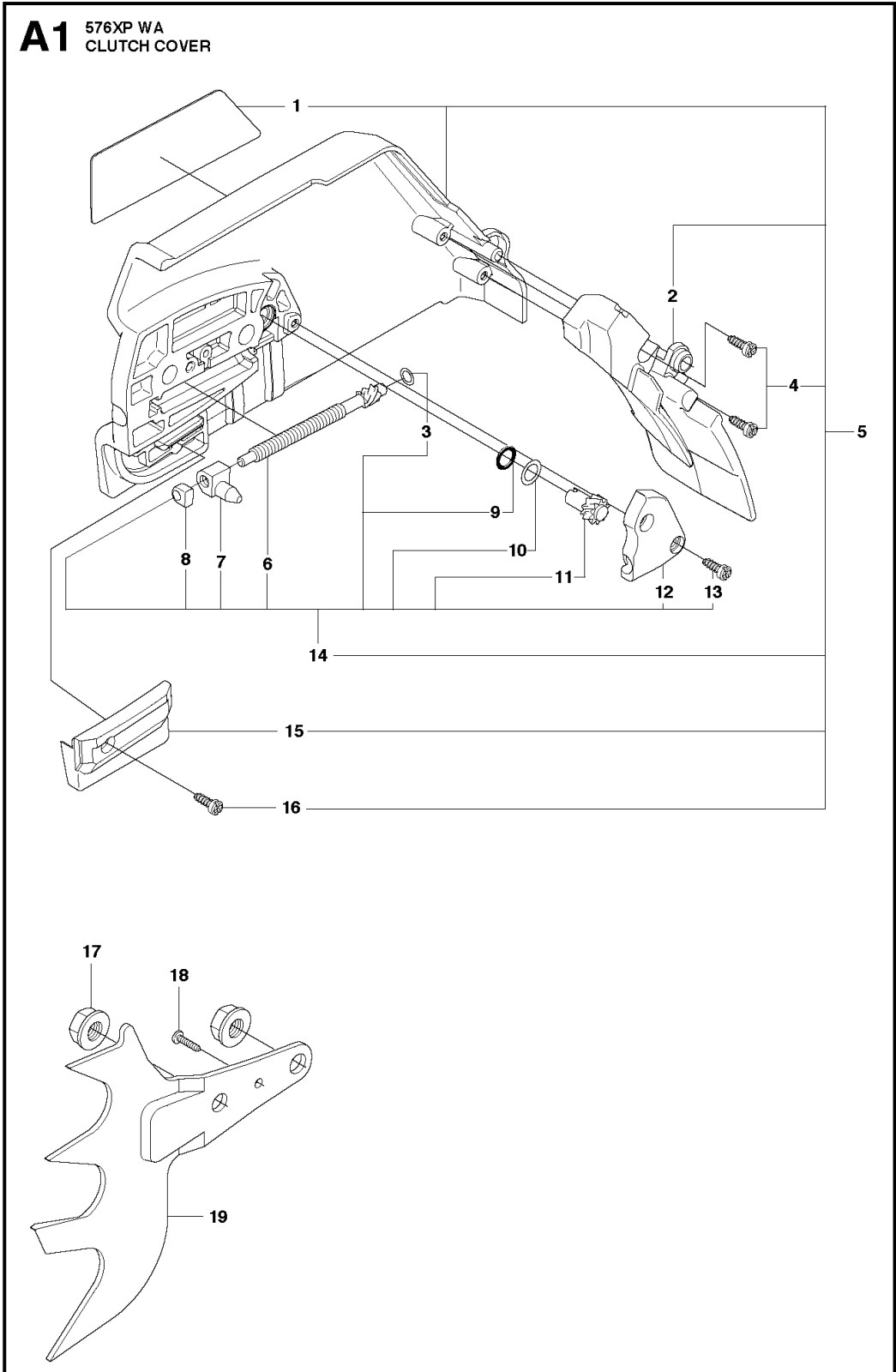
B 576XP
CLUTCH & OIL PUMP



CLUTCH & OIL PUMP

576 XP, 576 XP EPA, from 2011-01 -

Ref	Part No	Description	Remark	QTY KIT	
1	504 54 72-02	CLUTCH DRUM ASSY	3/8 x 7T	1	
1	504 54 72-03	CLUTCH DRUM ASSY	3/8 x 8T	1	
2	503 75 24-01	WASHER		1	
3	503 27 21-01	E-CLIP		1	
4	501 59 80-02	RIM	3/8 x 7T	1	1
4	505 30 36-61	RIM	3/8 x 8T	1	1
5	503 43 20-01	NEEDLE HOLDER		1	1
6	537 36 06-01	CLUTCH SPRING		3	7
7	503 74 44-05	CLUTCH ASSY		1	
8	503 86 17-03	CLUTCH DRUM		1	
9	503 43 20-01	NEEDLE HOLDER		1	8
10	503 20 53-01	SCREW IHSCM		2	
11	501 89 53-01	OIL HOSE		1	
12	503 62 49-01	SEALING PLUG		1	19
13	503 52 15-01	PUMP PISTON		1	19
14	503 23 00-04	WASHER		2	19
15	501 61 58-01	SPRING		1	19
16	537 20 78-04	PUMP PINION		1	
17	537 20 91-01	OIL PRESSURE HOSE		1	
18	503 81 30-01	SPRING		1	19
19	503 52 13-03	OIL PUMP ASSY		1	
20	503 81 13-01	PIN SCREW		1	19
21	501 54 41-02	OIL SCREEN		1	

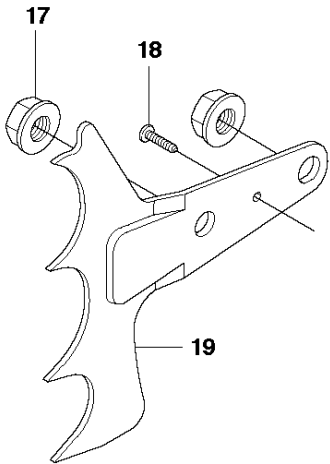
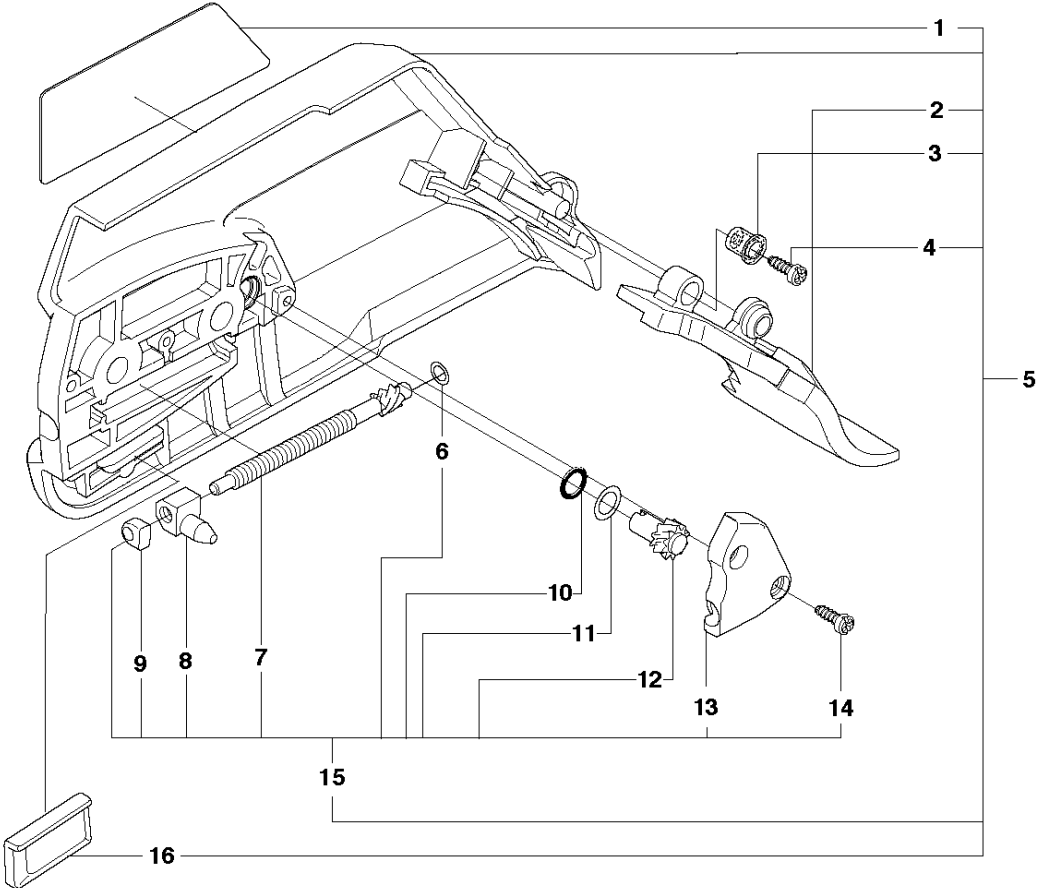


CLUTCH COVER

576 XP, 576 XP EPA, from 2011-01 -

Ref	Part No	Description	Remark	QTY	KIT
1	537 03 38-03	LABEL		1	5
2	537 17 41-01	CHIP GUARD		1	5
3	503 23 00-66	WASHER		1	14
4	503 21 28-10	SCREW CCRPANT		1	5
5	537 33 10-05	CLUTCH COVER ASSY	576XPW	1	5
6	537 07 95-02	WORM SCREW		1	14
7	503 99 83-01	PAWL		1	14
8	537 01 74-01	BEARING SLEEVE		1	14
9	740 48 07-02	O-RING		1	14
10	503 23 00-63	WASHER		1	14
11	537 07 94-02	WORM WHEEL		1	14
12	537 01 68-01	COVER		1	14
13	503 21 28-10	SCREW CCRPANT		2	14
14	537 04 41-02	CHAIN TENSIONER		1	5
15	537 04 34-01	CHAIN GUIDE		1	5
16	503 21 28-10	SCREW CCRPANT		1	5
17	503 22 00-01	HEXAGON NUT FLANGE		2	5
18	503 21 28-10	SCREW CCRPANT		1	
19	503 92 27-01	BARKSTØD		1	

A2 576XP
CLUTCH COVER

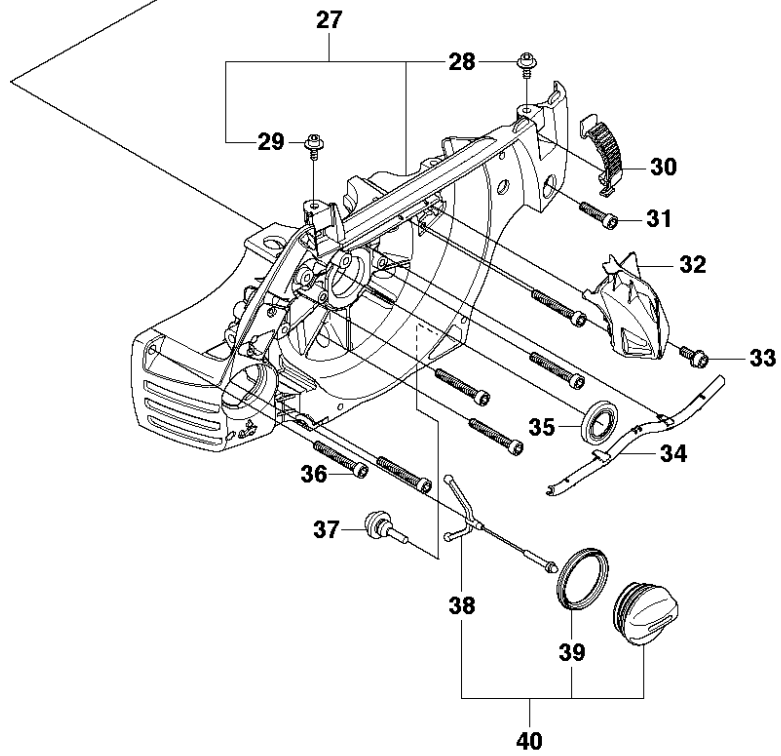
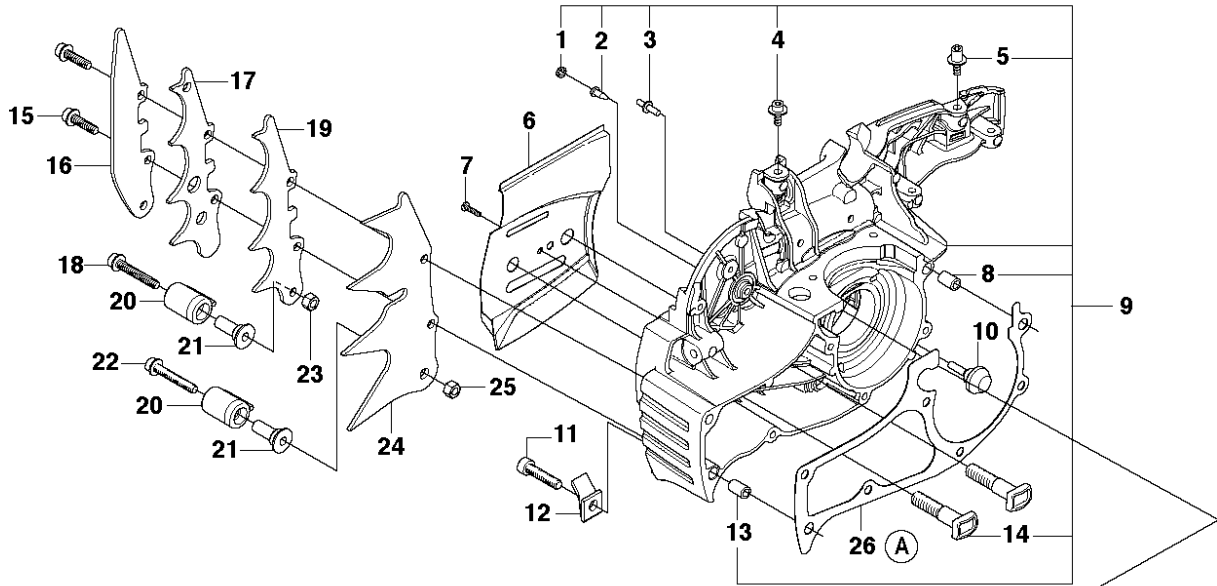


CLUTCH COVER

576 XP, 576 XP EPA, from 2011-01 -

Ref	Part No	Description	Remark	QTY	KIT
1	537 03 38-03	LABEL		1	5
2	503 76 29-02	CHIP GUARD		1	5
3	503 89 70-01	SLEEVE		1	5
4	503 21 28-10	SCREW CCRPANT		1	5
5	537 03 35-04	CLUTCH COVER ASSY		1	
6	503 23 00-66	WASHER		1	15
7	537 07 95-02	WORM SCREW		1	15
8	503 99 83-01	PAWL		1	15
9	537 01 74-01	BEARING SLEEVE		1	15
10	740 48 07-02	O-RING		1	15
11	503 23 00-63	WASHER		1	15
12	537 07 94-02	WORM WHEEL		1	15
13	537 01 68-01	COVER		1	15
14	503 21 28-10	SCREW CCRPANT		2	15
15	537 04 41-02	CHAIN TENSIONER		1	5
16	501 51 72-01	CHAIN GUIDE		1	5
17	503 22 00-01	HEXAGON NUT FLANGE		2	
18	503 21 28-10	SCREW CCRPANT		1	
19	503 71 97-01	SPIKE OUTER		1	

M 576XP
CRANKCASE



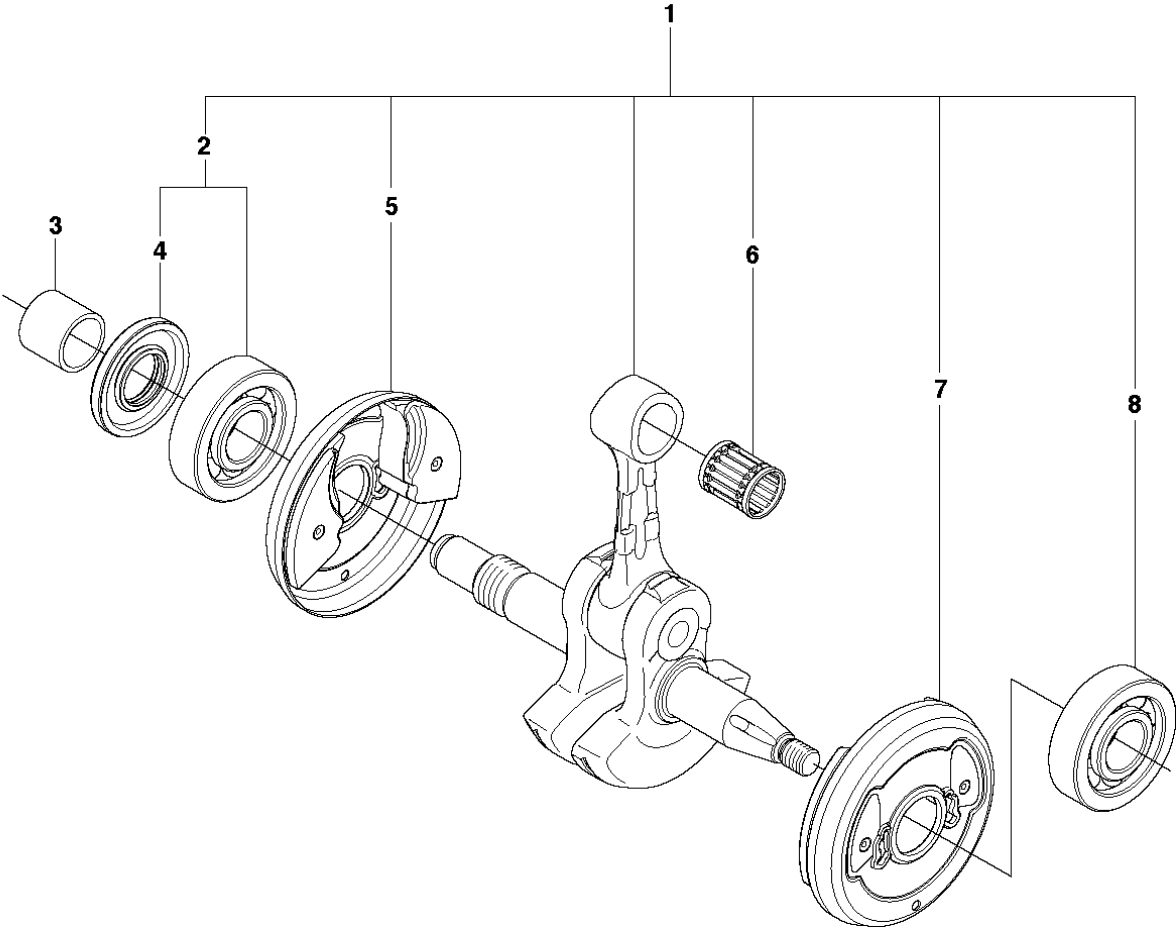
26
Ⓐ 537 21 26-02
Set of gaskets

CRANKCASE

576 XP, 576 XP EPA, from 2011-01 -

Ref	Part No	Description	Remark	QTY	KIT
1	537 40 35-01	FILTER		1	9
2	530 02 61-19	CHECK VALVE		1	9
3	537 20 30-01	PIN KNEE-JOINT		1	9
4	505 11 15-01	SCREW IHSCM		1	9
5	505 11 15-01	SCREW IHSCM		1	9
6	537 01 37-02	CHAIN GUIDE PLATE		1	
7	503 21 28-10	SCREW CCRPANT		1	
8	501 27 08-01	GUIDE BUSHING		1	9
9	544 89 66-02	CRANKCASE ASSY		1	
10	503 84 61-01	BUFFER		1	
11	503 20 73-20	SCREW IHSCM		1	
12	537 37 79-01	CHAIN CATCHER		1	
13	501 27 08-01	GUIDE BUSHING		1	9
14	537 05 13-01	BAR BOLT		2	9
15	503 21 26-16	SCREW IH PANM		2	
16	537 04 29-01	BUMPER		1	
17	503 64 79-02	BARKSTØD		1	
18	503 20 07-80	SCREW IHSCFM		1	
19	537 01 71-01	BARKSTØD		1	
20	537 02 44-01	WEAR PROTECTION		1	
21	537 08 92-01	CHAIN CATCHER		1	
22	503 20 07-80	SCREW IHSCFM		1	
23	503 22 24-01	LOCKING NUT		1	
24	537 01 72-01	BARKSTØD		1	
25	503 22 24-01	LOCKING NUT		1	
26	537 21 26-02	GASKET KIT	A = Set of gaskets	1	
27	544 89 66-02	CRANKCASE ASSY		1	
28	505 11 15-01	SCREW IHSCM		1	27
29	505 11 15-01	SCREW IHSCM		1	27
30	503 89 47-03	SNAP	Grey	4	
31	503 20 73-20	SCREW IHSCM		1	
32	537 20 92-01	AIR NOZZLE		1	
33	503 20 02-12	SCREW IHSCFM		1	
33	503 20 07-12	SCREW IHSCFM		1	
34	537 20 39-01	CABLE HOLDER		1	
35	505 48 68-01	RADIAL SEAL		1	
36	503 20 08-70	SCREW IHSCM		6	
37	503 84 61-01	BUFFER		1	
38	503 57 89-01	HOLDER		1	40
39	537 21 50-01	SEALING		1	40
40	537 21 52-02	TANK CAP ASSY		1	

N 576XP
CRANKSHAFT

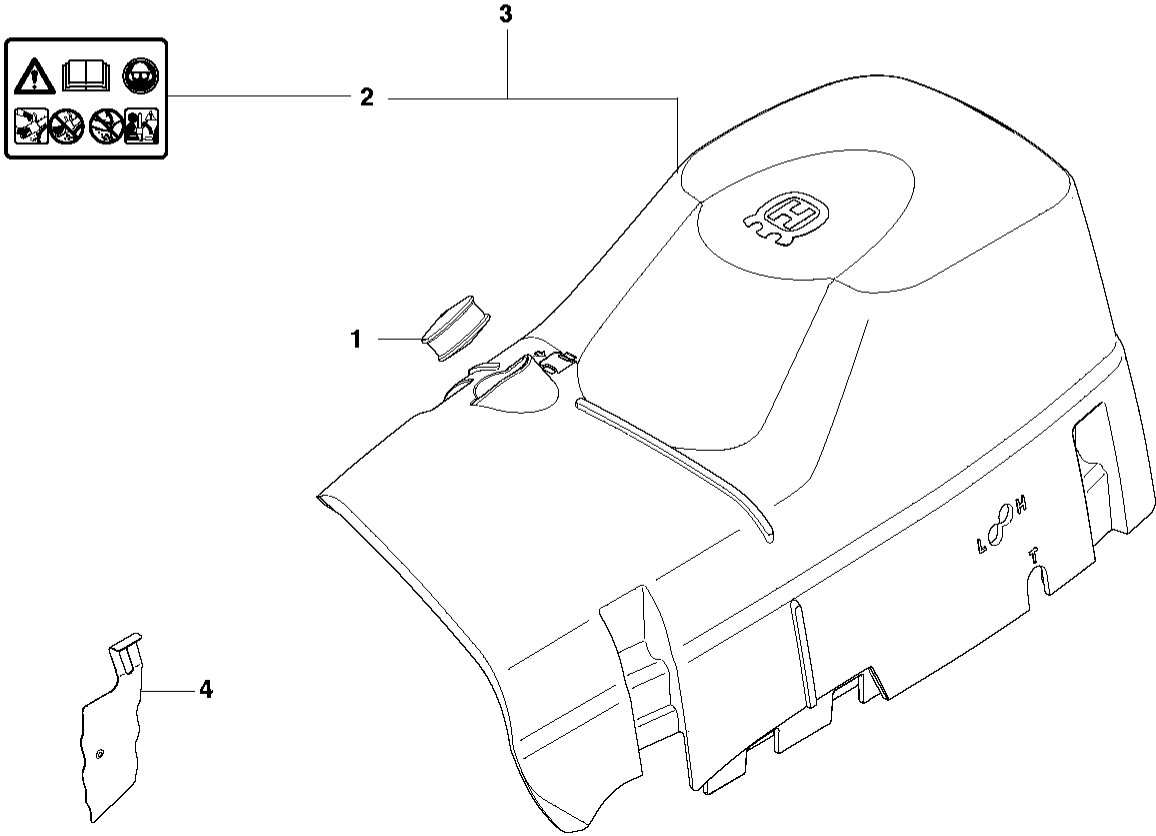


CRANKSHAFT

576 XP, 576 XP EPA, from 2011-01 -

Ref	Part No	Description	Remark	QTY KIT	
1	505 12 19-02	CRANKSHAFT ASSY			
2	525 43 42-01	BALL BEARING		1	1
3	537 20 58-01	SLEEVE		1	
4	505 41 61-01	RADIAL SEAL		1	1, 2
5	537 20 33-01	CUP		1	1
6	503 25 56-01	NEEDLE BEARING		1	1
7	537 20 33-01	CUP		1	1
8	525 43 43-01	BALL BEARING		1	1

E2 576XP
CYLINDER COVER

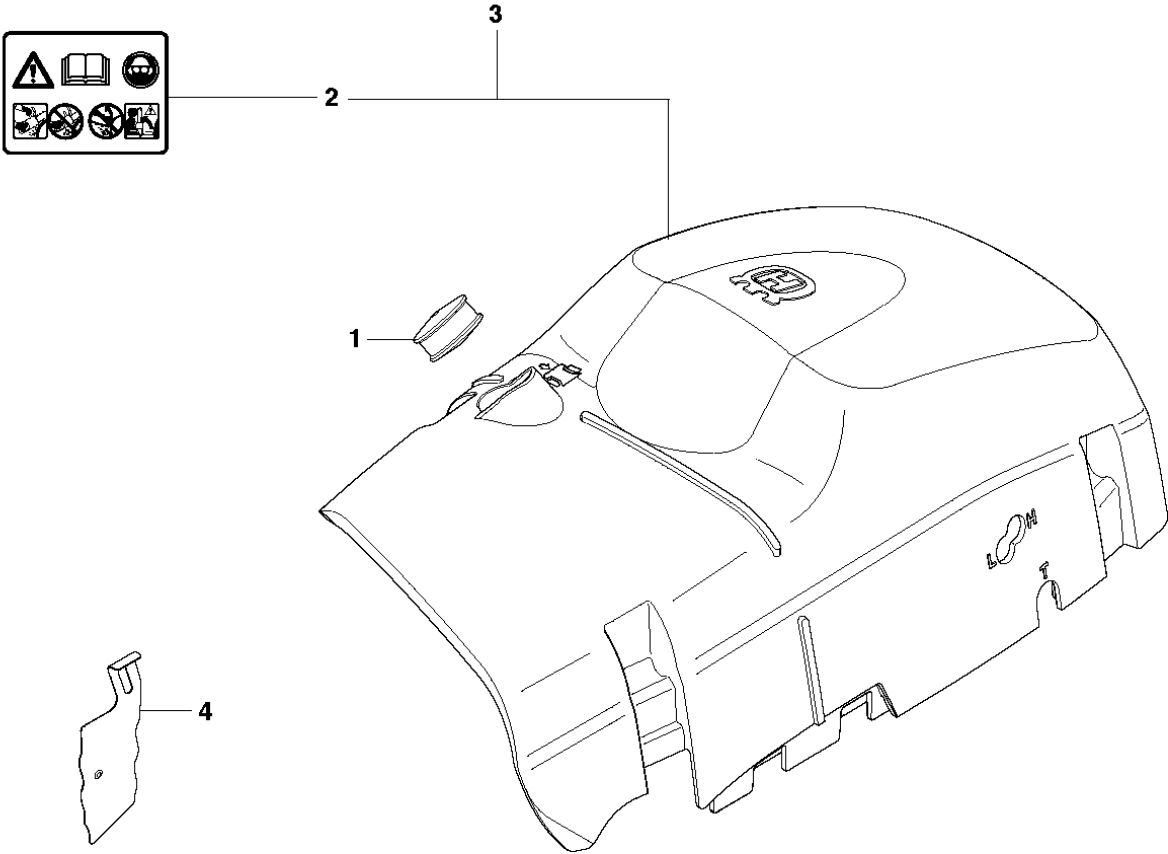


CYLINDER COVER

576 XP, 576 XP EPA, from 2011-01 -

Ref	Part No	Description	Remark	QTY	KIT
1	537 20 71-01	PLUG		1	
2	503 98 74-01	LABEL		1	3
3	537 21 25-02	CYLINDER COVER		1	
4	537 21 05-01	WINTER COVER		1	

E1 576XP
CYLINDER COVER

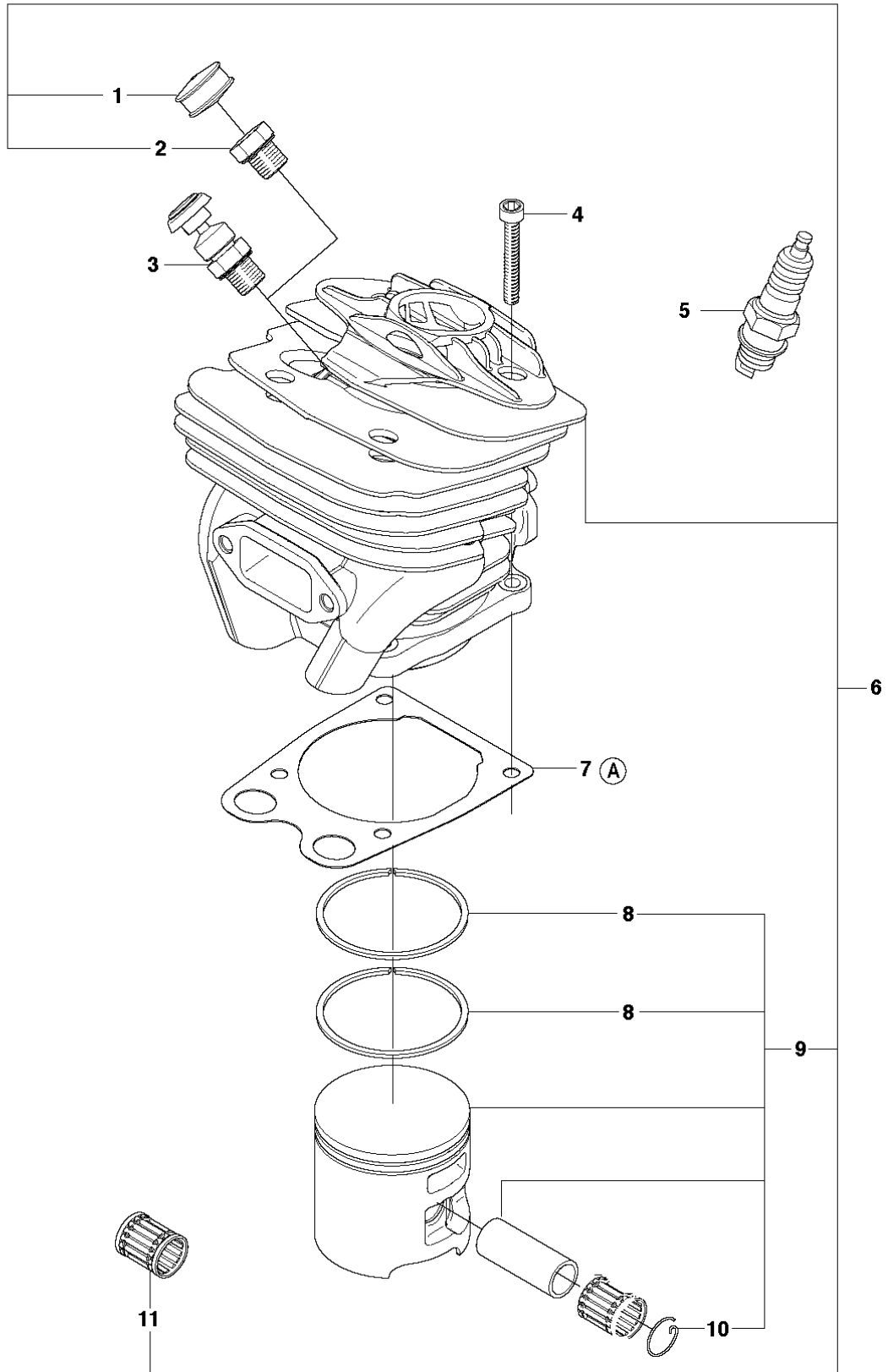


CYLINDER COVER

576 XP, 576 XP EPA, from 2011-01 -

Ref	Part No	Description	Remark	QTY	KIT
1	537 20 71-01	PLUG		1	
2	503 98 74-01	LABEL		1	3
3	537 21 25-01	CYLINDER COVER		1	
4	537 21 05-01	WINTER COVER		1	

H 576XP
CYLINDER PISTON



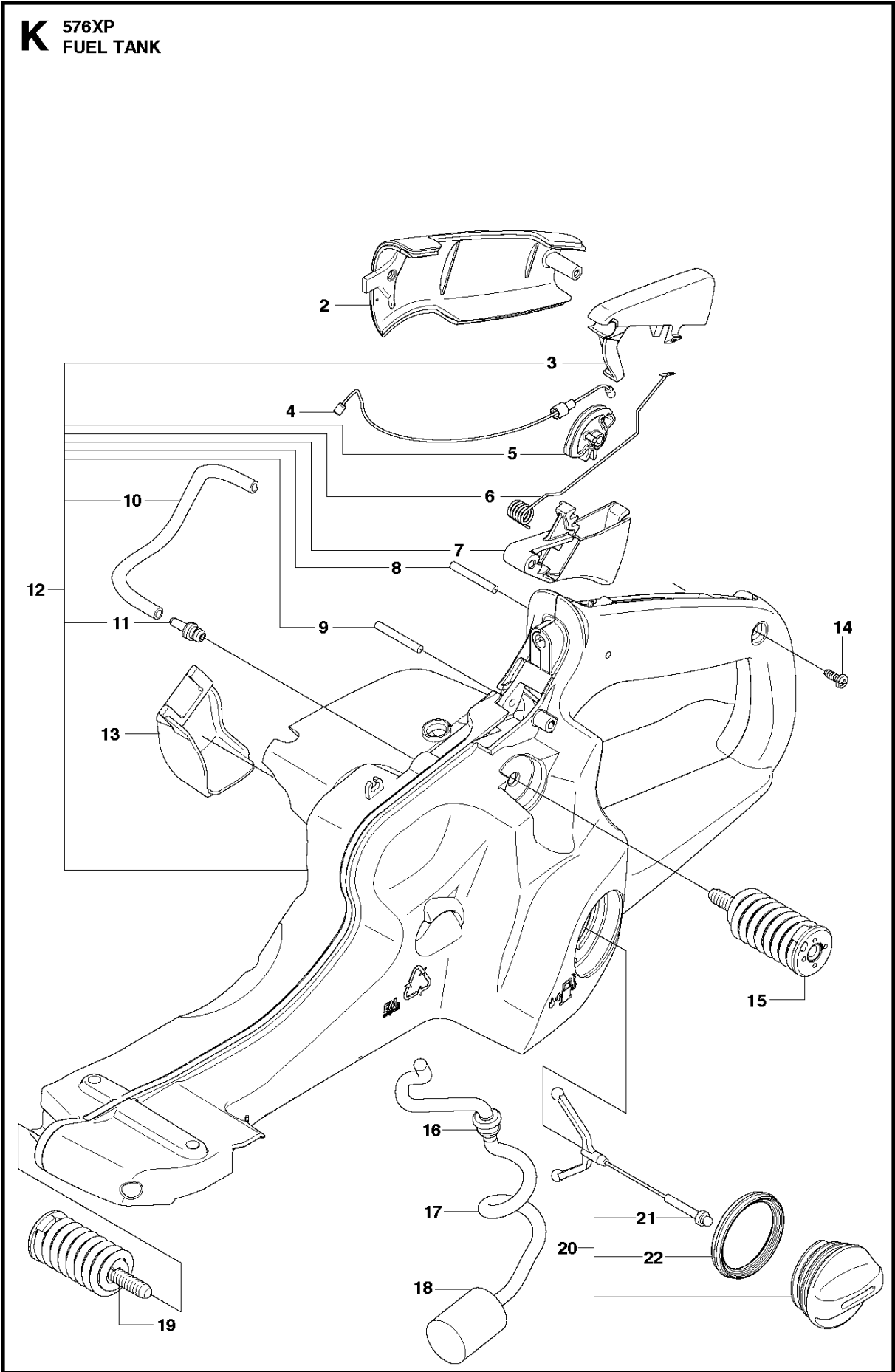
26

(A) 537 21 26-02
Set of gaskets

CYLINDER PISTON

576 XP, 576 XP EPA, from 2011-01 -

Ref	Part No	Description	Remark	QTY	KIT
1	537 20 71-01	PLUG		1	6
2	503 55 22-01	PLUG		1	6
3	584 28 87-01	DECOMPRESSION VALVE		1	
4	725 53 33-55	SCREW IHSCM		4	
5	503 23 51-11	SPARK PLUG		1	
6	575 25 74-06	CYLINDER ASSY		1	
7	544 98 15-01	GASKET		1	26
8	522 99 01-01	PISTON RING		2	6, 9
9	575 25 73-04	PISTON ASSY		1	6
10	737 43 12-00	SNAP RING		2	6, 9
11	577 57 24-01	NEEDLE BEARING		1	6
26	537 21 26-02	GASKET KIT	A = Set of gaskets	1	

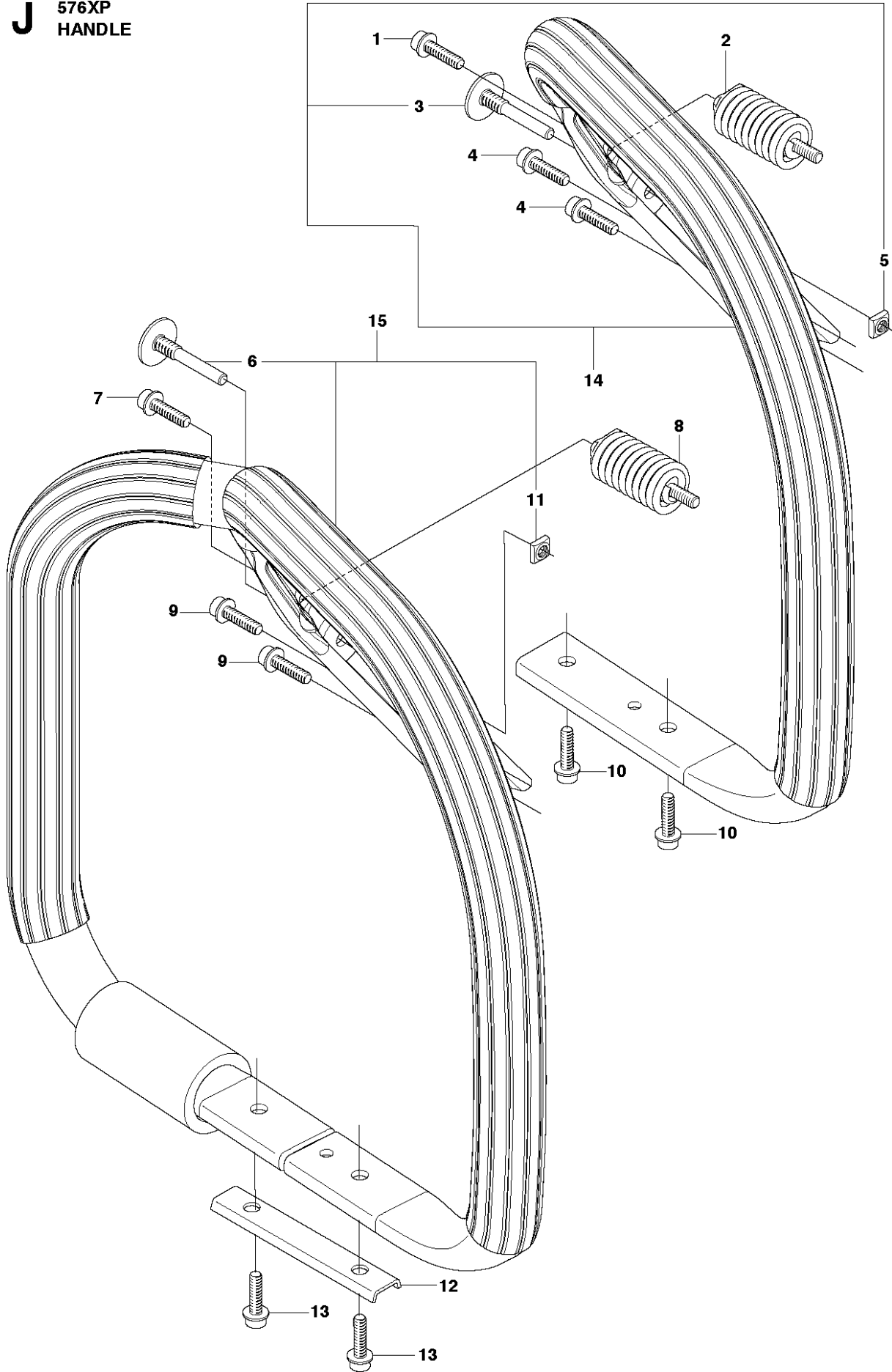


FUEL TANK

576 XP, 576 XP EPA, from 2011-01 -

Ref	Part No	Description	Remark	QTY	KIT
2	537 20 56-01	COVER	Grey	1	
3	537 20 84-01	THROTTLE LOCKOUT		1	12
4	537 21 11-01	THROTTLE WIRE		1	
5	537 20 85-01	CABLE LEVER		1	12
6	537 20 98-01	SPRING		1	12
7	537 20 83-01	THROTTLE TRIGGER		1	12
8	720 12 40-20	PARALLEL PIN		1	12
9	720 12 40-20	PARALLEL PIN		1	12
10	581 75 61-06	FUEL HOSE		1	12
11	537 35 95-01	TANK VENT ASSY		1	12
12	537 21 35-04	FUEL TANK		1	
13	537 20 57-01	COVER		1	
14	503 21 28-10	SCREW CCRPANT		1	
15	537 21 03-01	ANTIVIBRATION ELEMENT	Std	1	
15	537 21 03-02	ANTIVIBRATION ELEMENT	Hard	1	
16	503 73 58-01	BUSHING		1	
17	581 75 62-02	FUEL HOSE		1	
18	503 44 32-01	FILTER		1	
19	537 21 03-03	ANTIVIBRATION ELEMENT	Std	1	
19	537 21 03-04	ANTIVIBRATION ELEMENT	Hard	1	
20	537 21 52-02	TANK CAP ASSY		1	
21	503 57 89-01	HOLDER		1	20
22	537 21 50-01	SEALING		1	20

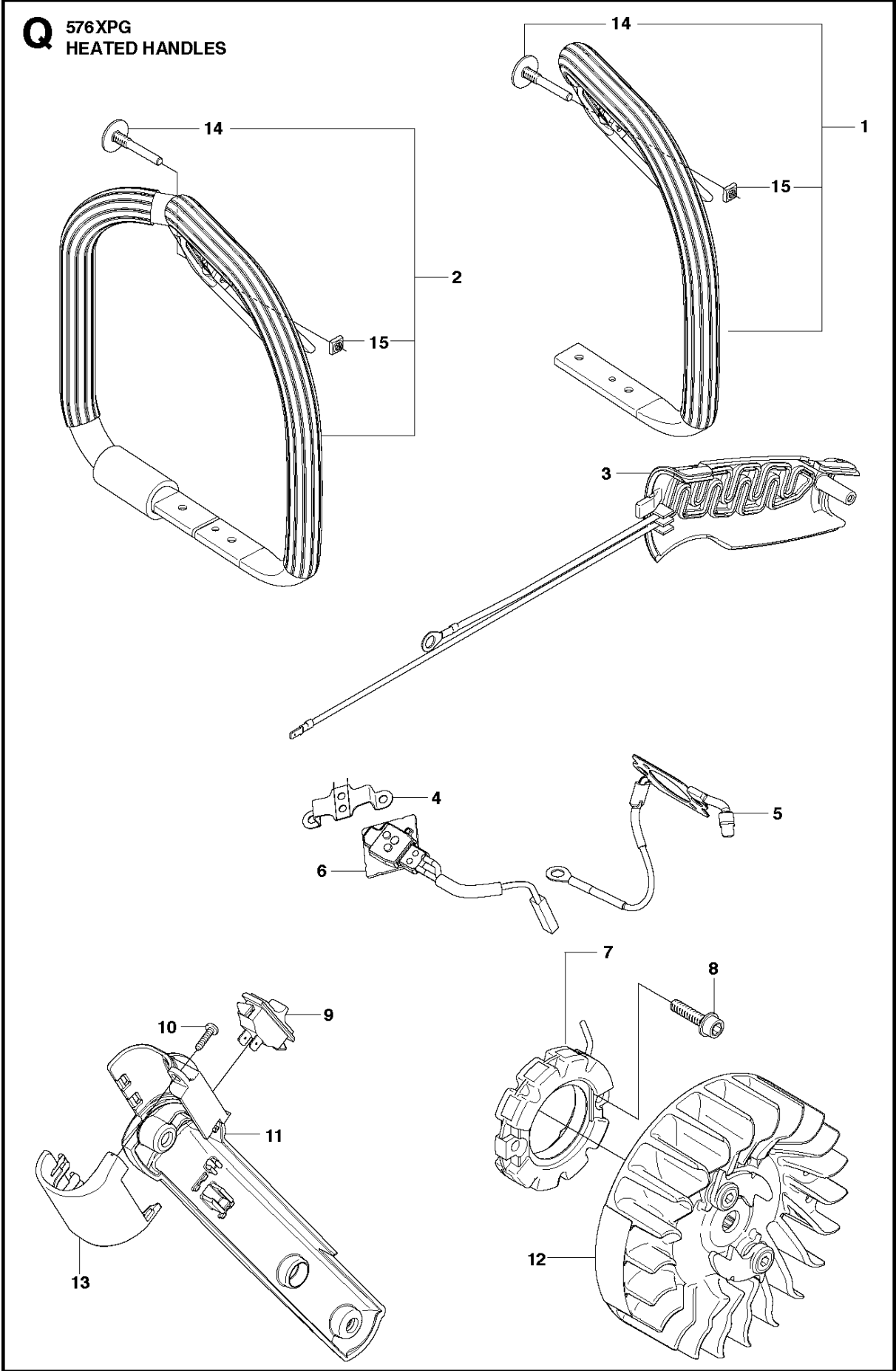
J 576XP
HANDLE



HANDLE

576 XP, 576 XP EPA, from 2011-01 -

Ref	Part No	Description	Remark	QTY	KIT
1	503 21 88-74	SCREW IHSCFT		1	
2	503 63 75-02	ANTIVIBRATION ELEMENT		1	
3	503 20 47-01	SCREW IHPANM		1	14
4	503 21 88-74	SCREW IHSCFT		2	
5	503 22 66-01	SQUARE NUT		1	14
6	503 20 47-01	SCREW IHPANM		1	15
7	503 21 88-74	SCREW IHSCFT		1	
8	503 63 75-02	ANTIVIBRATION ELEMENT		1	
9	503 21 88-74	SCREW IHSCFT		2	
10	503 21 88-74	SCREW IHSCFT		2	
11	503 22 66-01	SQUARE NUT		1	15
12	537 03 73-01	REINFORCING PLATE		1	
13	503 21 88-74	SCREW IHSCFT		2	
14	537 20 59-03	FRONT HANDLE ASSY	compl. 576XP Ø 27mm	1	
15	537 20 89-01	HANDLE WRAP AROUND ASSY	compl. 576 WA	1	

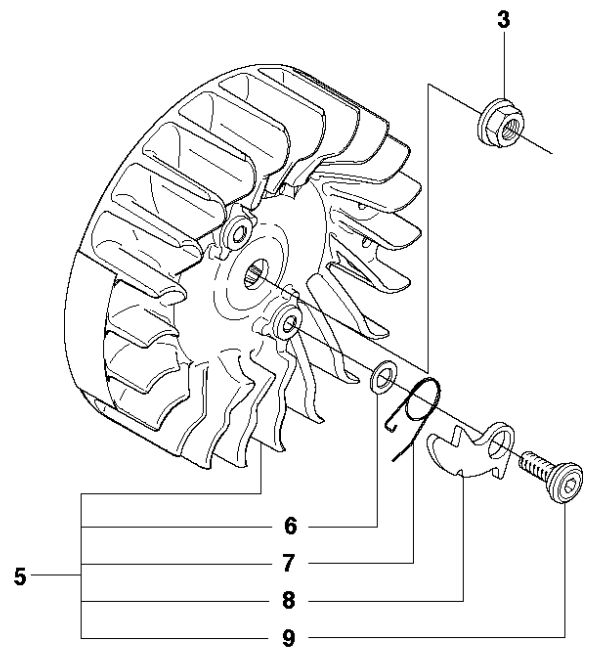
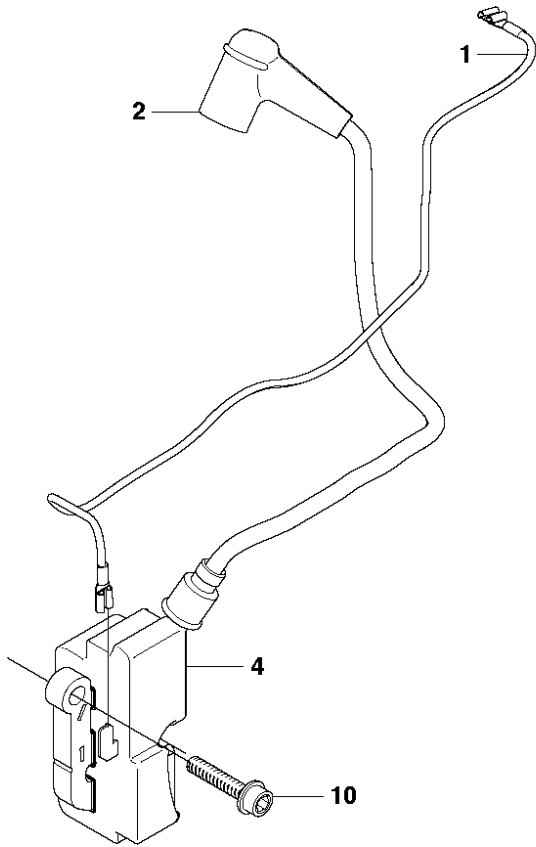


HANDLES HEATED

576 XP, 576 XP EPA, from 2011-01 -

Ref	Part No	Description	Remark	QTY	KIT
1	537 20 59-02	FRONT HANDLE ASSY	G	1	
2	537 20 89-02	HANDLE WRAP AROUND ASSY	WAG	1	
3	537 21 31-01	COVER		1	
4	537 21 08-01	RETAINER		1	
5	537 21 28-01	FOIL ELEMENT		1	
6	537 21 29-01	THERMOSTAT ASSY		1	
7	537 21 34-01	GENERATOR STATOR		1	
8	503 20 26-16	SCREW IHSCM		2	
9	537 13 14-02	SWITCH		1	
10	503 21 28-10	SCREW CCRPANT		1	
11	537 21 09-01	COVER		1	
12	537 20 96-02	FLYWHEEL ASSY		1	
13	537 21 10-01	HUB CAP		1	
14	503 20 47-01	SCREW IHPANM		1	1, 2
15	503 22 66-01	SQUARE NUT		1	1, 2

D 576XP
IGNITION SYSTEM

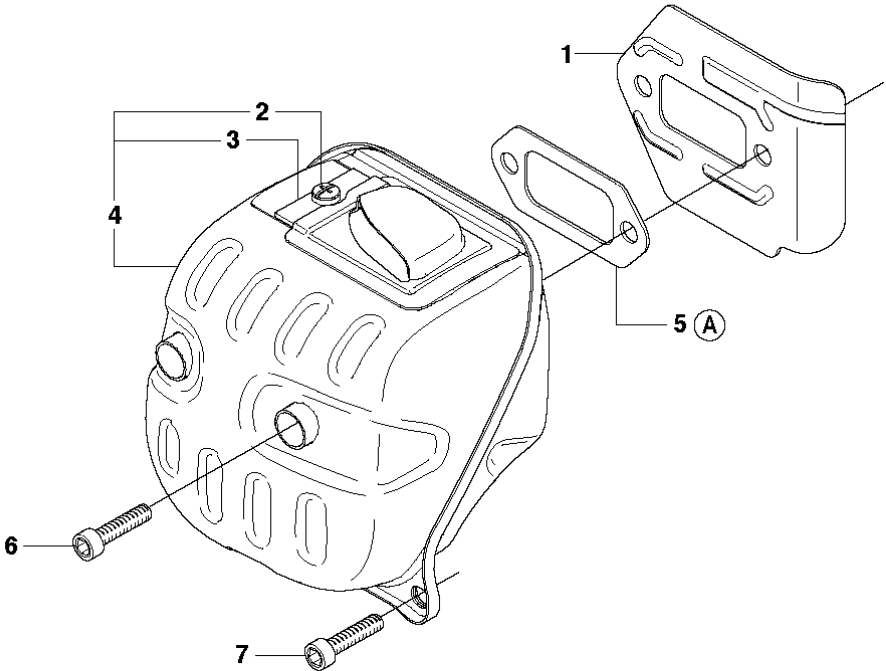


IGNITION SYSTEM

576 XP, 576 XP EPA, from 2011-01 -

Ref	Part No	Description	Remark	QTY	KIT
1	537 20 86-01	SHORT CIRCUIT CABLE		1	
2	506 08 25-01	SPARK PLUG CAP		1	
3	503 22 04-01	NUT		1	
4	522 79 54-02	IGNITION MODULE	COT	1	
5	537 20 96-01	FLYWHEEL ASSY		1	
6	503 23 00-42	WASHER		2	5
7	501 67 35-01	SPRING		2	5
8	501 67 32-01	PAWL		2	5
9	501 81 99-01	SCREW		2	5
10	503 20 02-20	SCREW IHSCFM		2	

G 576XP
MUFFLER



26

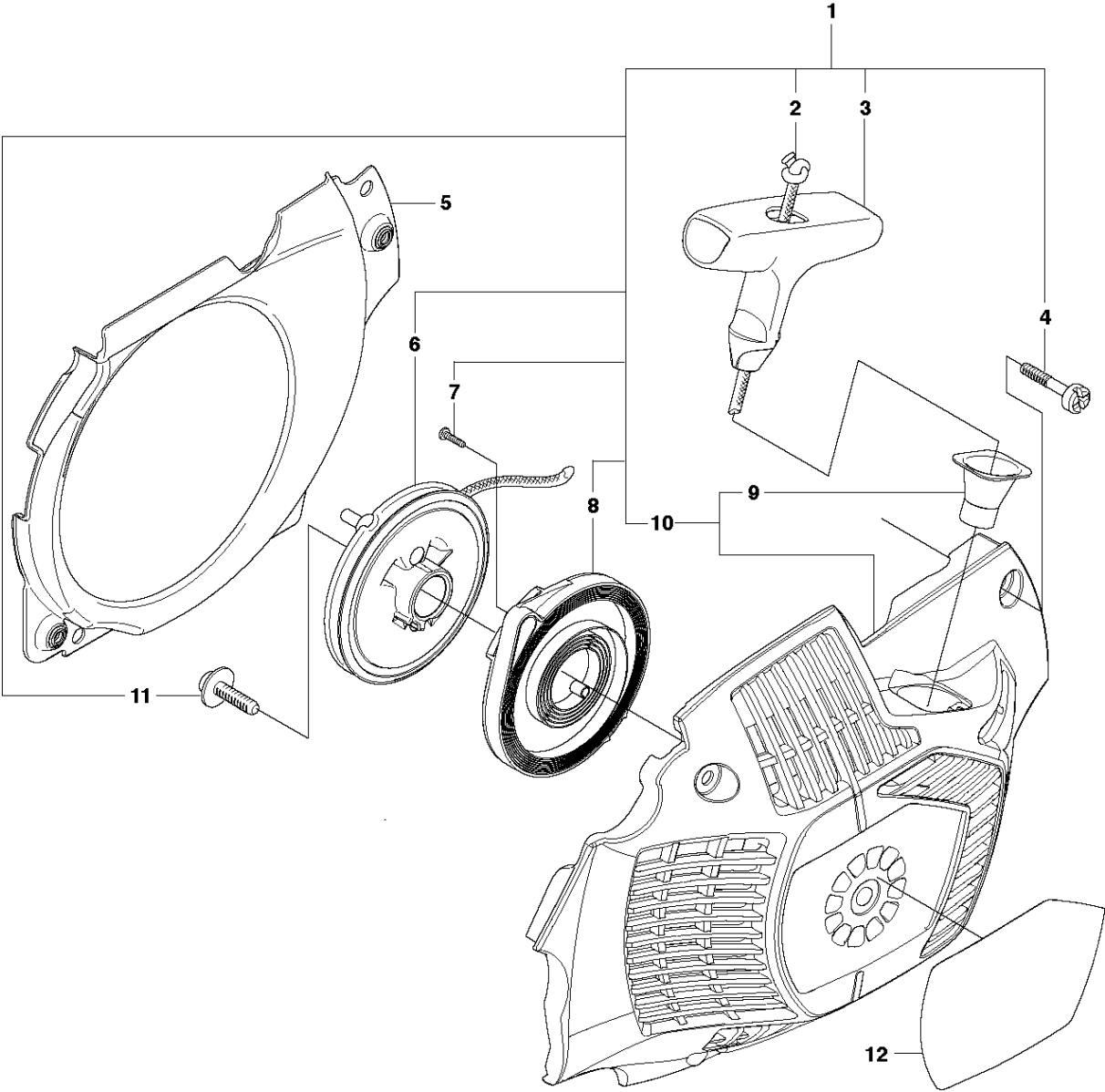
Ⓐ 537 21 26-02
Set of gaskets

MUFFLER

576 XP, 576 XP EPA, from 2011-01 -

Ref	Part No	Description	Remark	QTY	KIT
1	537 21 06-01	HEAT DEFLECTOR		1	
2	724 12 87-59	SCREW CRPANM		1	4
3	503 76 64-02	SPARK ARRESTOR SCREEN		1	4
4	544 03 02-01	MUFFLER ASSY	FF CE	1	
4	544 03 02-02	MUFFLER ASSY	DF US	1	
5	537 20 82-01	GASKET		1	26
6	725 53 70-55	SCREW IHSCM		2	
7	503 20 73-20	SCREW IHSCM		2	
26	537 21 26-02	GASKET KIT	A = Set of gaskets	1	

C 576XP
STARTER

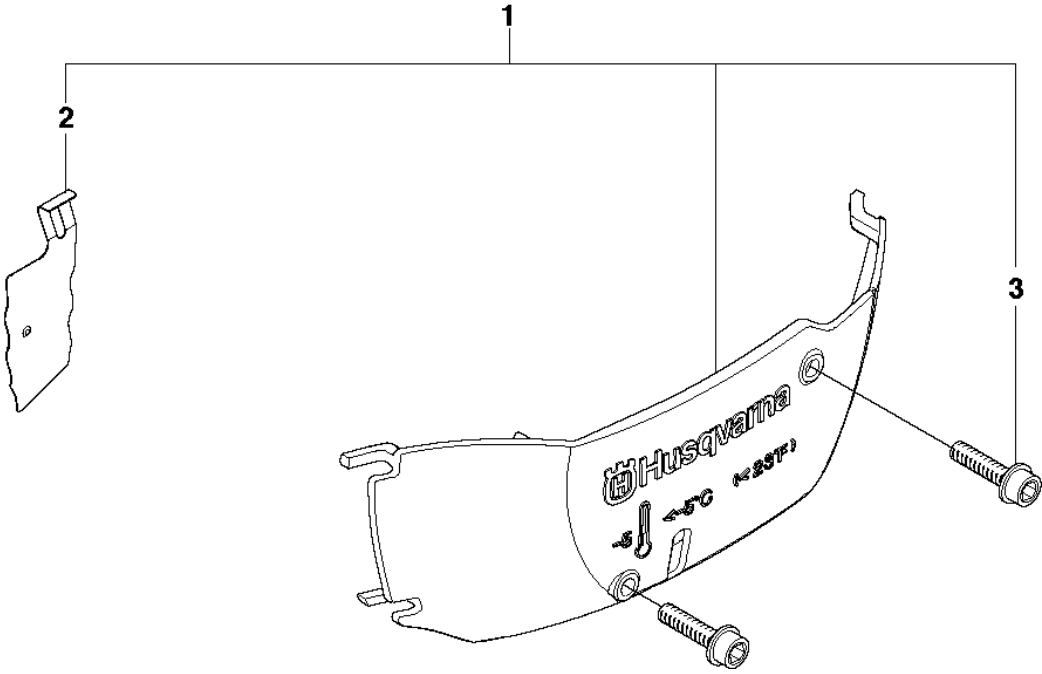


STARTER

576 XP, 576 XP EPA, from 2011-01 -

Ref	Part No	Description	Remark	QTY	KIT
1	504 04 55-02	STARTER ASSY		1	
2	505 30 51-25	STARTER CORD		1	1
3	537 23 25-01	STARTER HANDLE		1	1
4	544 08 03-01	SCREW CIHPANMO		4	1
5	537 20 26-01	AIR CONDUCTOR		1	1
6	537 20 24-01	STARTER PULLEY ASSY		1	1
7	503 21 28-13	SCREW CCRPANT		2	1
8	505 06 53-01	SPRING CASSETTE ASSY		1	1
9	537 28 32-01	REINFORCEMENT SLEEVE		1	1, 10
10	504 04 54-01	STARTER HOUSING		1	1
11	503 20 52-16	SCREW IHST		1	1
12	504 09 41-01	LABEL	576XP	1	
12	504 09 41-02	LABEL	576XPG	1	

R 576XP
WINTER KIT



WINTER KIT

576 XP, 576 XP EPA, from 2011-01 -

Ref	Part No	Description	Remark	QTY KIT	
1	504 04 57-01	WINTER KIT		1	
2	537 21 05-01	WINTER COVER		1	1
3	503 21 70-16	SCREW CCRPANT		2	1

Illustrated Parts List - IPL Update



Product Name(s)

576 XP, 576 XP EPA

Description of change

1 Screw IHSCFM 503 20 74-30: Replaced
2 Screw IHSCFM 503 20 74-30: Replaced

Comments

Following updated are fully interchangeable

Introduced from

Serial number / Date	Remark
2014-12-18	
2014-12-18	

IPL updates

Page Title	Ref. no	New part no	Name	Excl. part no.	Remark
Crankcase	18	503 20 07-80	Screw IHSCFM	503 20 74-30	
Crankcase	22	503 20 07-80	Screw IHSCFM	503 20 74-30	