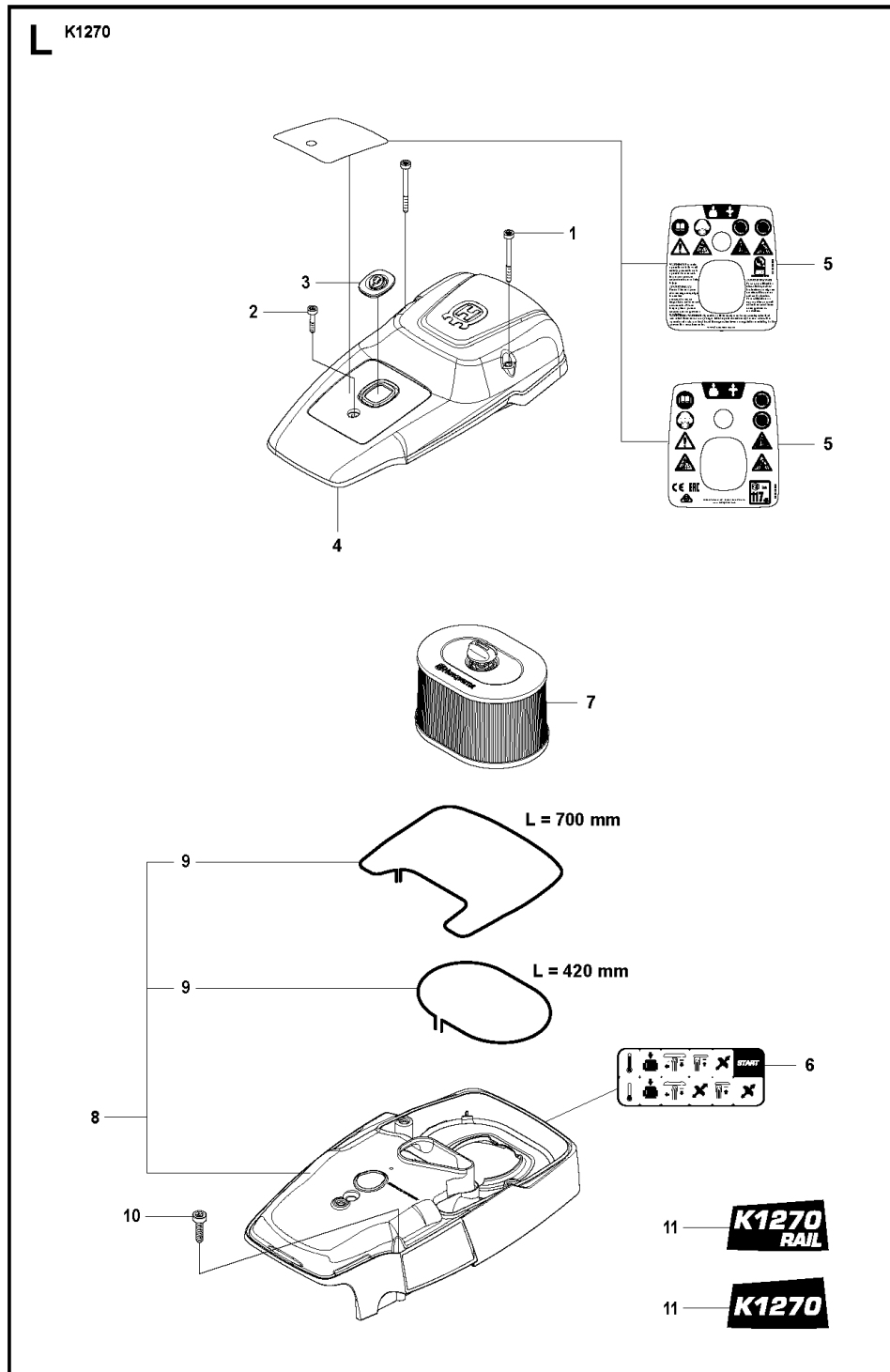


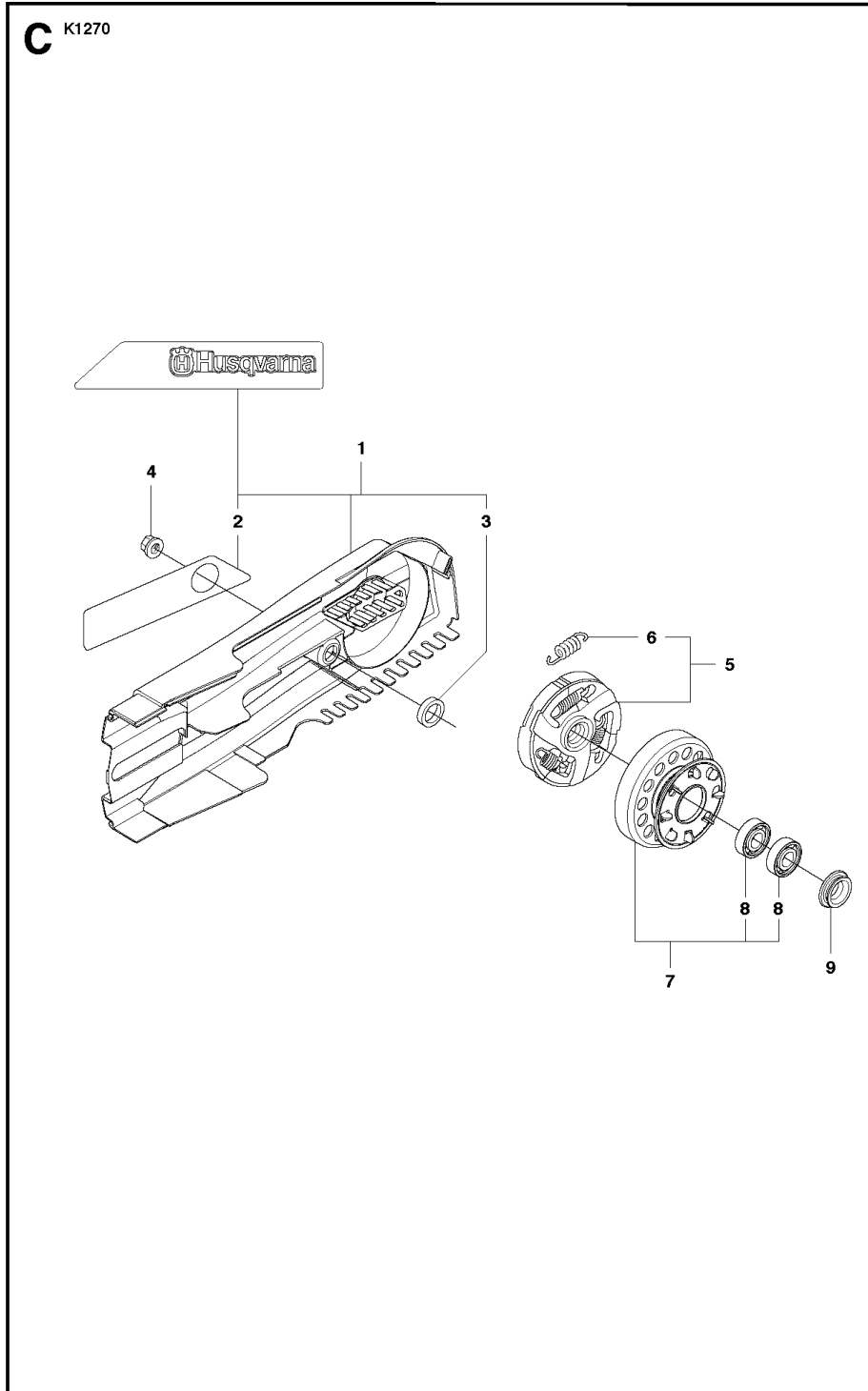
Product Catalog: /K1270, K1270 Rail, 2016-07/K1270, K1270 Rail, 2016-07

AIR FILTER



Ref.	Article N.	Description	Qty	Kit
1	503215356	SCREW ITXSCM	2	-
2	503215312	SCREW ITXSCM	1	-
3	585428301	PLUG	1	-
4	589023401	FILTER COVER	1	-
5	589023801	DECAL <i>USA, CANADA, MEXICO</i>	1	-
5	589023803	DECAL <i>CE</i>	1	-
6	544873802	LABEL	1	-
7	510244103	AIR FILTER <i>Standard</i>	1	-
7	510244105	AIR FILTER <i>Rail</i>	1	-
8	576553203	CYLINDER COVER <i>Incl. 9 - 10</i>	1	-
9	525617004	SEALING	2	8
10	503215330	SCREW ITXSCM	5	8
11	525816904	LABEL <i>K1270 Rail</i>	1	-
11	525816903	LABEL <i>K1270</i>	1	-

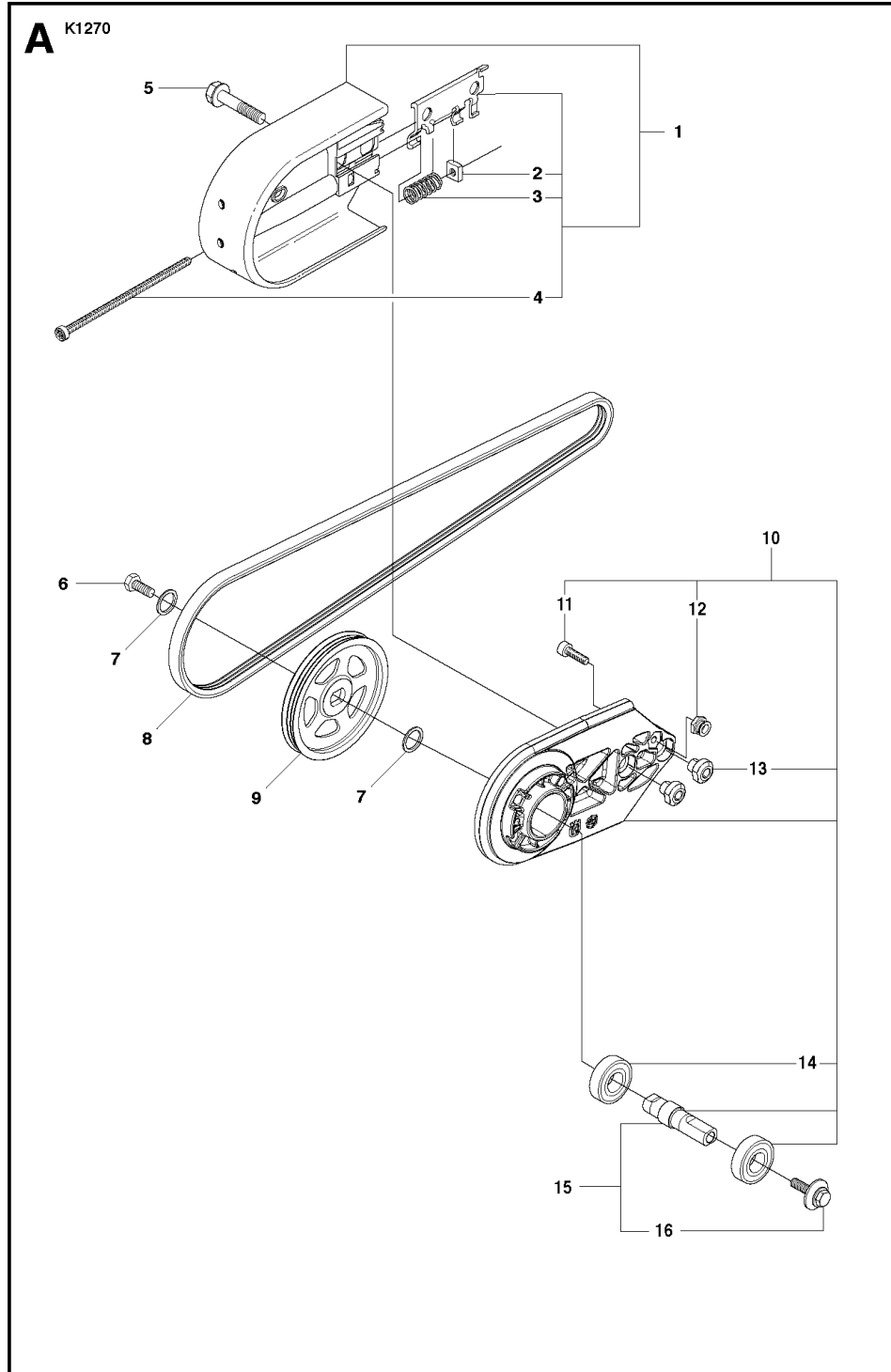
BELT GUARD



Ref.	Article N.	Description	Qty	Kit
1	506271704	BELT GUARD <i>Incl. 2, 3</i>	1	-
2	544873601	LABEL	1	1

Ref.	Article N.	Description	Qty	Kit
3	506268401	SPACING SLEEVE	1	1
4	503220001	HEXAGON NUT	1	-
5	503144901	CLUTCH ASSY <i>Incl. 6</i>	1	-
6	503145101	CLUTCH SPRING	3	5
7	588809201	DRIVING PULLEY ASSY <i>14. Incl. 8</i>	1	-
7	588809202	DRIVING PULLEY ASSY <i>16. Incl. 8</i>	1	-
8	525831801	BALL BEARING	2	7
9	587536401	SPACING SLEEVE	1	-

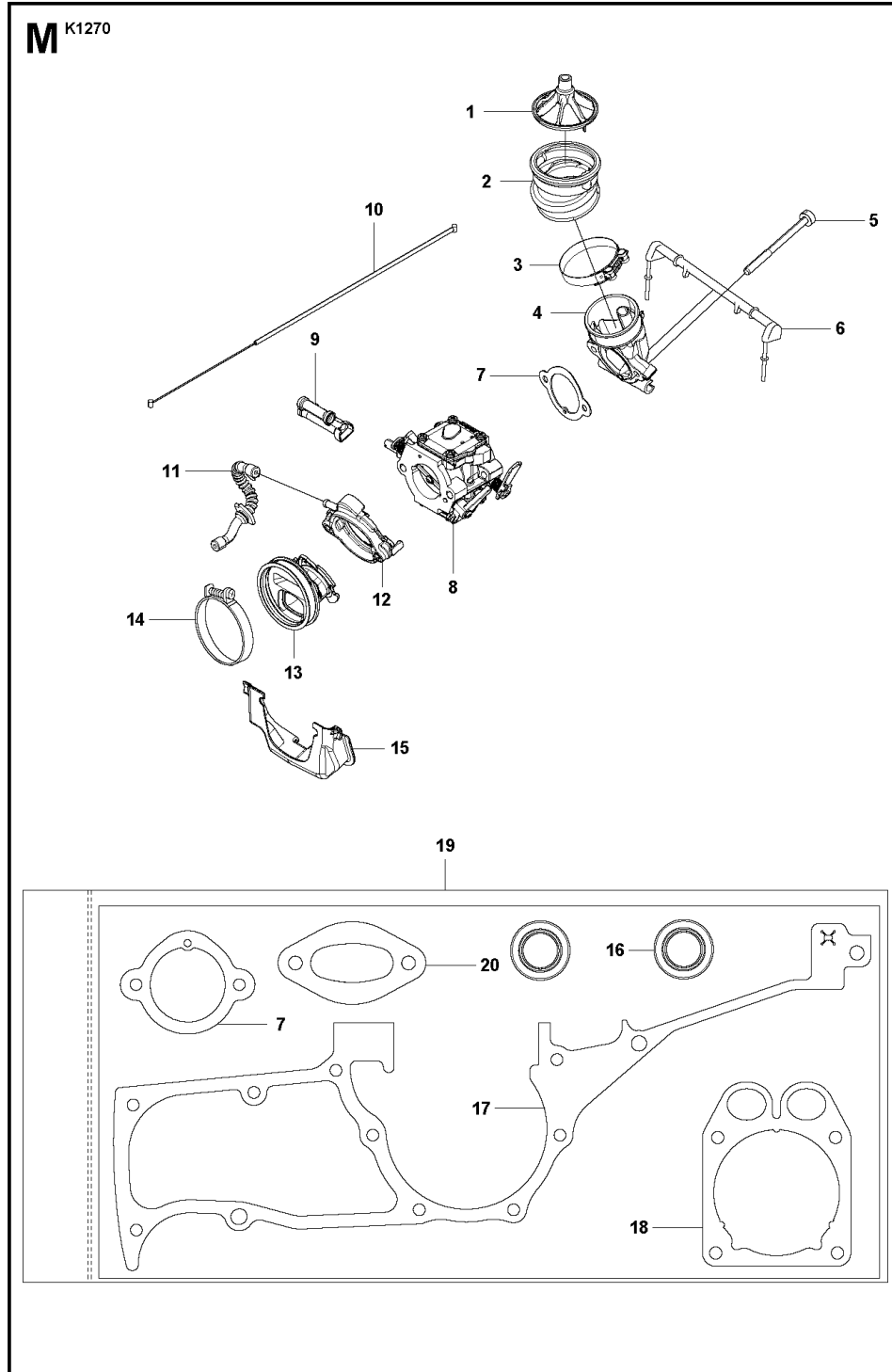
BELT GUARD & PULLEY



Ref.	Article N.	Description	Qty	Kit
1	506279206	BELT GUARD <i>Incl. 2 - 4</i>	1	-

Ref.	Article N.	Description	Qty	Kit
1	506279207	BELT GUARD <i>Rail 14, Incl. 2 - 4</i>	1	-
1	506279208	BELT GUARD <i>Rail 16, Incl. 2 - 4</i>	1	-
2	506409301	NUT	1	1
3	506266801	COMPRESSION SPRING	1	1
4	503207205	SCREW CITXSCM	1	1
5	506284401	SCREW EHHFM	2	-
6	503200045	SCREW EHHFM	1	-
7	503230104	WASHER	2	-
8	544976301	BELT <i>14, 16, Rail 14</i>	1	-
8	544976302	BELT <i>Rail 16</i>	1	-
9	578110501	PULLEY	1	-
10	589390303	BEARING HOUSING <i>Incl. 11 - 16</i>	1	-
11	505574116	SCREW ITXSCM	1	10
12	586416901	STOP	1	10
13	584788101	NUT	2	10
14	583953301	BALL BEARING	2	10
15	588992401	SHAFT <i>Incl. 16</i>	1	-
16	590503801	SCREW <i>Included in 10</i>	1	-

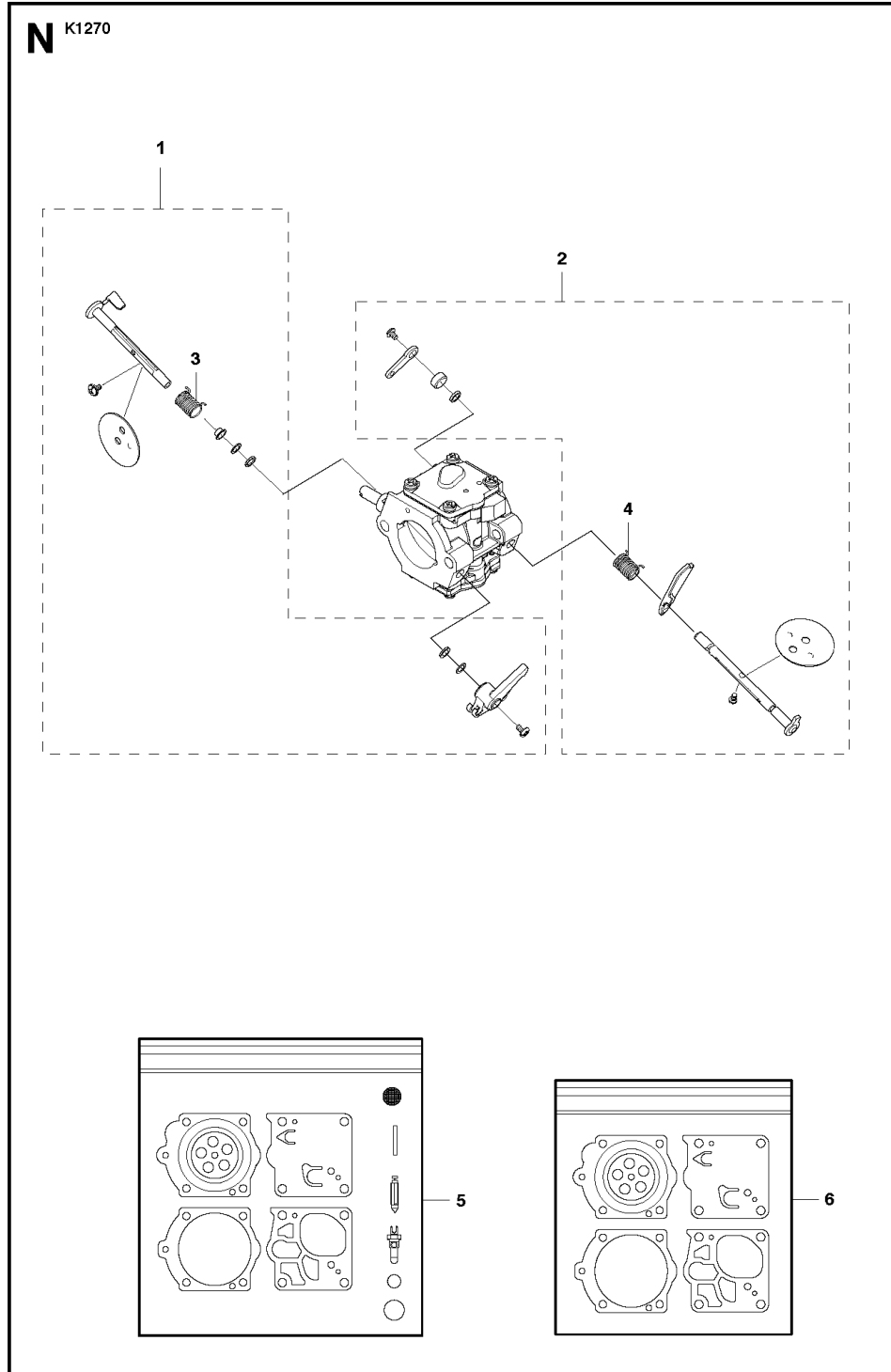
CARBURETOR



Ref.	Article N.	Description	Qty	Kit
1	510243901	FILTER	1	-
2	510243802	BELLOWS	1	-

Ref.	Article N.	Description	Qty	Kit
3	505283307	HOSE CLAMP	1	-
4	588750701	INLET BEND	1	-
5	503215365	SCREW ITXSCM	2	-
6	506250401	SUPPORT	1	-
7	579851101	GASKET	1	20
8	589023601	CARBURETTOR	1	-
9	588892001	GUIDE SLEEVE	1	-
10	506289802	THROTTLE CABLE ASSY	1	-
11	582125701	IMPULSE HOSE	1	-
12	587536901	FLANGE	1	-
13	587536801	INLET PIPE	1	-
14	505283316	HOSE CLAMP	1	-
15	588630401	INSULATION WALL	1	-
16	503260205	SEALING RING	2	19
17	582350001	GASKET	1	19
18	587536201	GASKET	1	19
19	582454801	GASKET KIT	1	-
20	585280901	GASKET	1	19

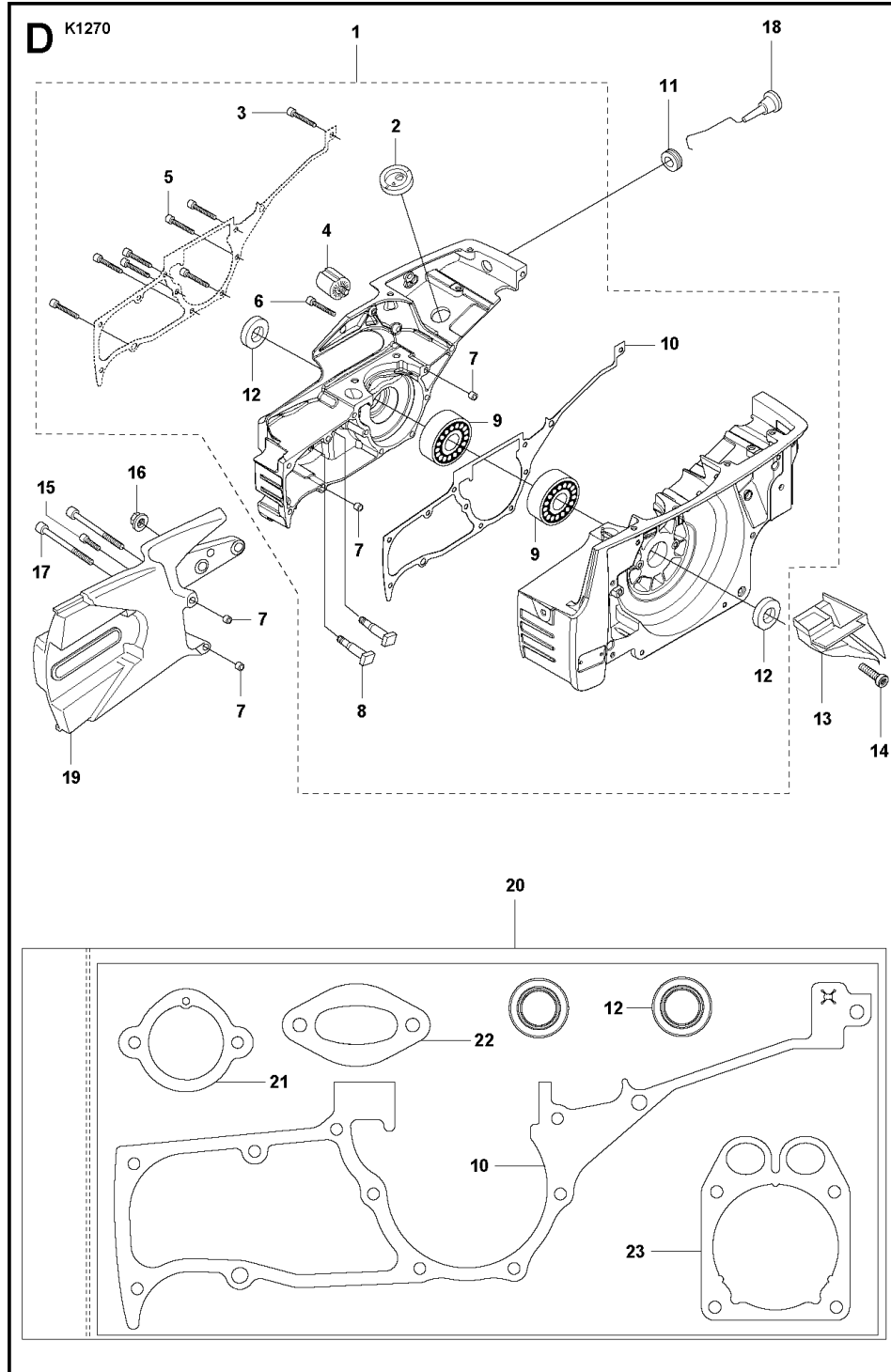
CARBURETOR DETAILS



Ref.	Article N.	Description	Qty	Kit
1	582729501	THROTTLE SHAFT	1	-
2	582729701	CHOKE SHAFT	1	-

Ref.	Article N.	Description	Qty	Kit
3	579791501	SPRING	1	1
4	579791601	SPRING	1	2
5	582606501	REPAIR KIT	1	-
6	503597403	GASKET KIT	1	-

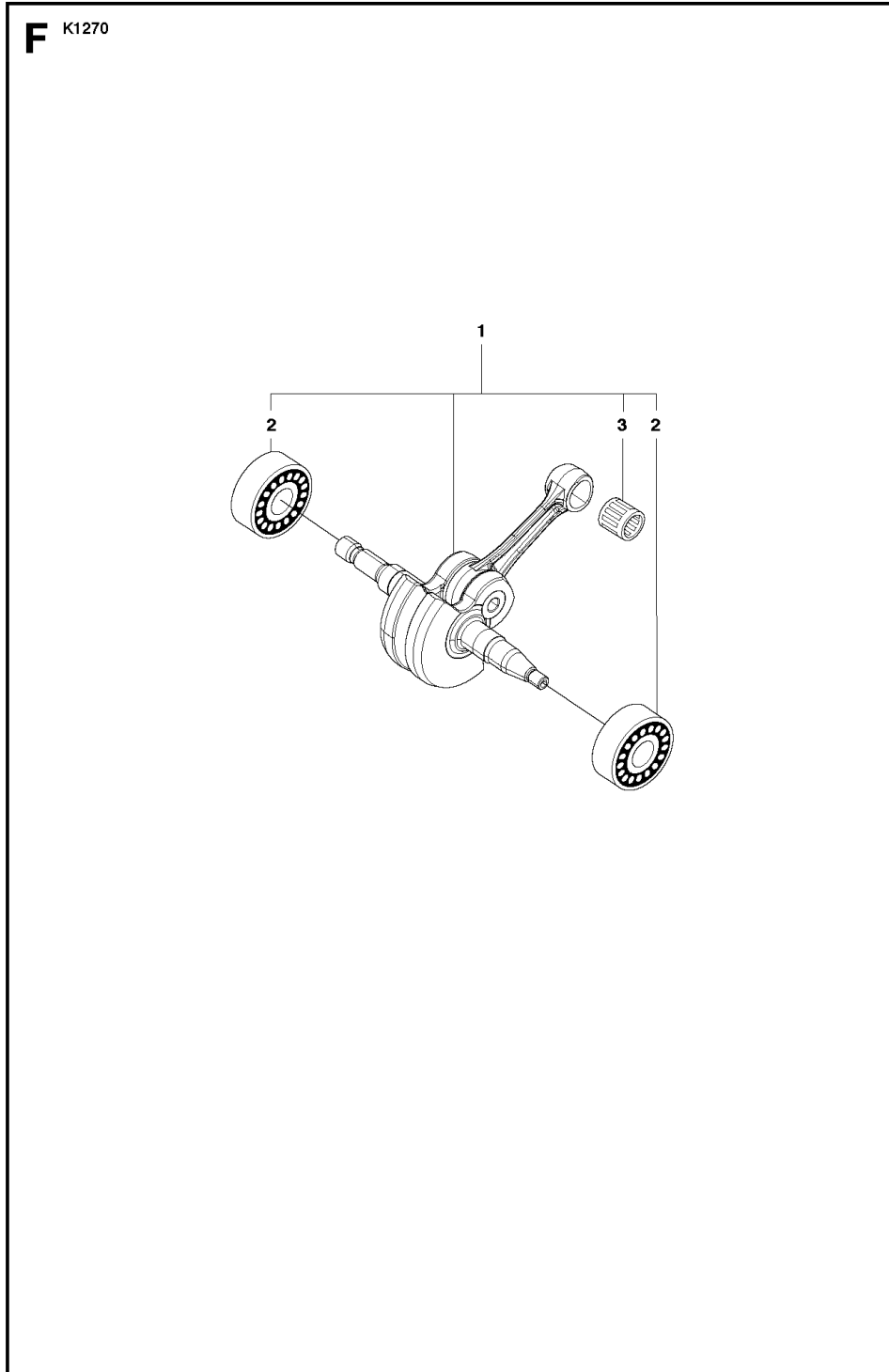
CRANKCASE



Ref.	Article N.	Description	Qty	Kit
1	582603501	CRANKCASE ASSY <i>Incl. 2-11</i>	1	-
2	503132001	GROMMET	1	1

Ref.	Article N.	Description	Qty	Kit
3	503215325	SCREW ITXSCM	9	1
4	501269705	ANTIVIBRATION ELEMENT	1	1
5	503215341	SCREW ITXSCM	7	1
6	544218420	SCREW ITXSCM	1	1
7	501270801	GUIDE BUSHING	4	1
8	501815701	BAR BOLT	2	1
9	503250002	BALL BEARING	2	1
10	582350001	GASKET	1	20,1
11	503145402	GROMMET	1	-
12	503260205	SEALING RING	2	20,1
13	506237001	AIR NOZZLE	1	-
14	501981001	SCREW ITXSCM	1	-
15	503215321	SCREW ITXSCM	1	-
16	503220001	HEXAGON NUT	1	-
17	503215365	SCREW ITXSCM	2	-
18	506254302	CHOKE CONTROL	1	-
19	506241405	CUTTER ARM	1	-
20	582454801	GASKET KIT <i>Incl. 10, 12 21 - 23</i>	1	-
21	579851101	GASKET	1	20
22	585280901	GASKET	1	20
23	587536201	GASKET	1	20

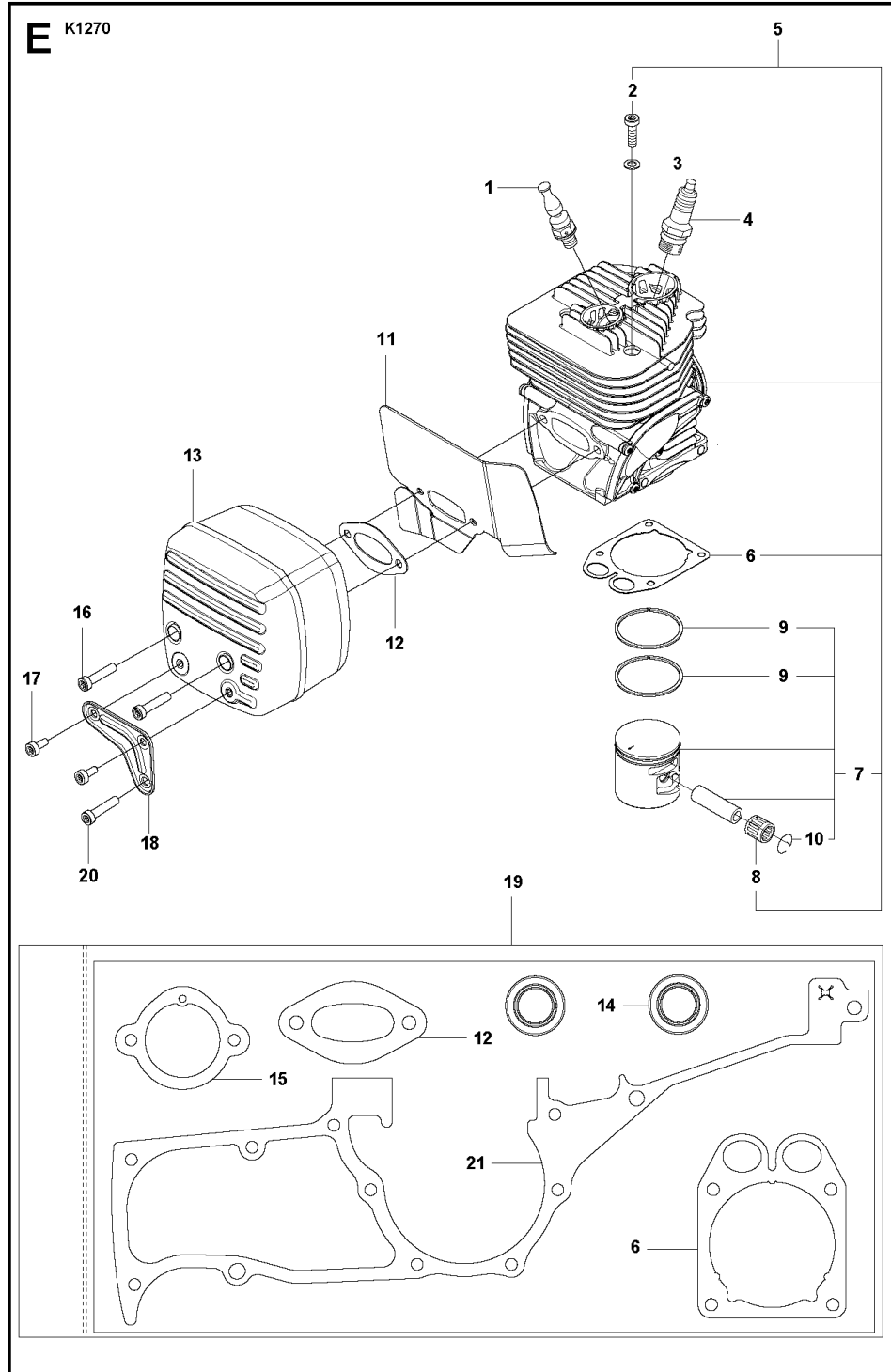
CRANKSHAFT



Ref.	Article N.	Description	Qty	Kit
1	577343803	CRANKSHAFT <i>Incl. 2, 3</i>	1	-
2	503250002	BALL BEARING	2	1

Ref.	Article N.	Description	Qty	Kit
3	503132901	NEEDLE HOLDER	1	1

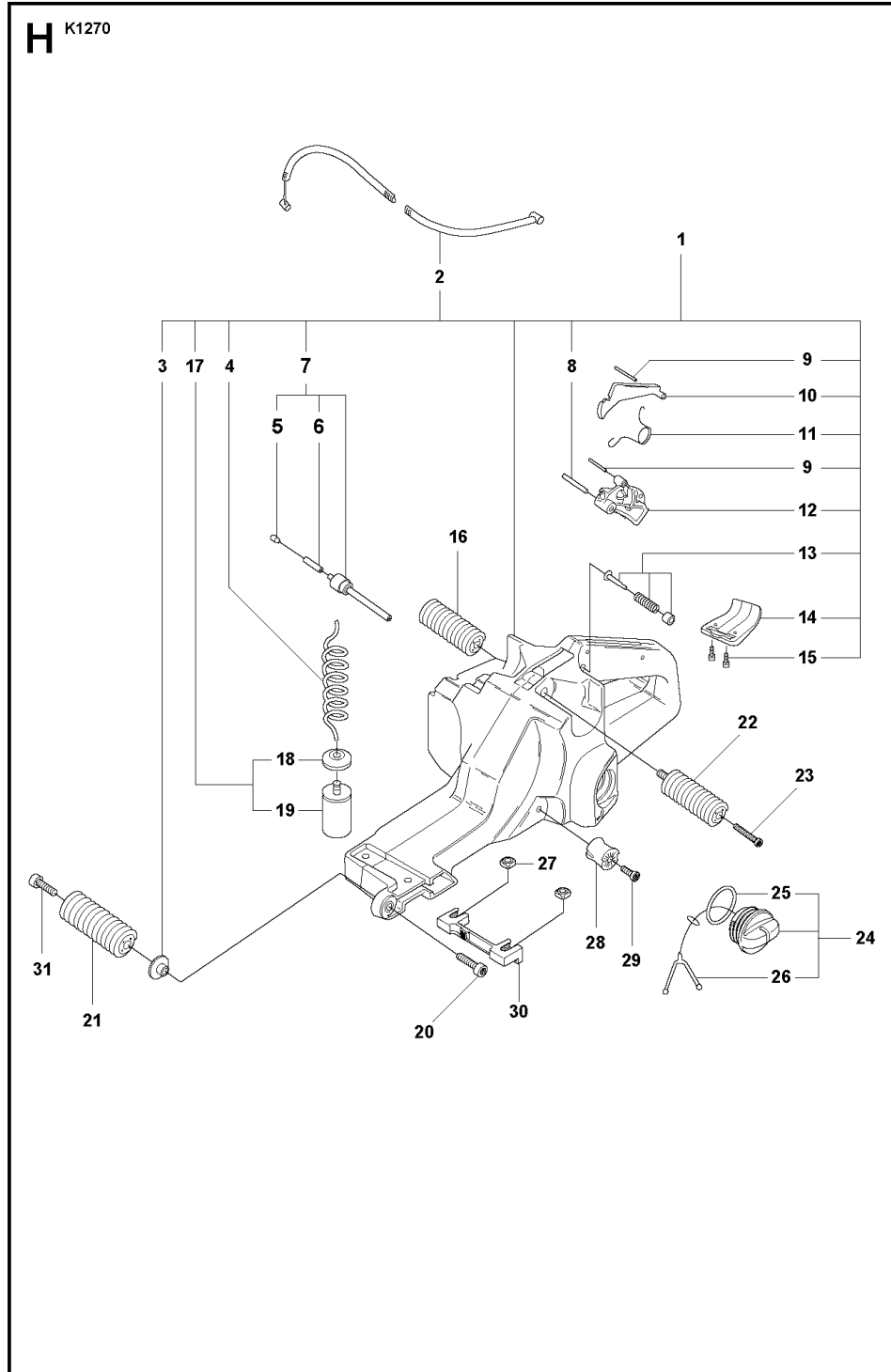
CYLINDER, PISTON & MUFFLER



Ref.	Article N.	Description	Qty	Kit
1	584912204	DECOMPRESSION VALVE	1	-
2	516002401	SCREW UNC	4	5

Ref.	Article N.	Description	Qty	Kit
3	503230005	WASHER	4	5
4	503235111	SPARK PLUG <i>RCJ 6Y</i>	1	-
5	582582303	CYLINDER ASSY <i>Incl. 6 - 8</i>	1	-
6	587536201	GASKET	1	5,19
7	587829806	PISTON ASSY <i>Incl. 9 - 10</i>	1	5
8	503132901	NEEDLE HOLDER	1	5
9	587830001	PISTON RING	2	5
10	737441300	CIRCLIP	2	5
11	587536301	HEAT DEFLECTOR	1	-
12	585280901	GASKET	1	19
13	505417905	MUFFLER ASSY <i>Incl. 14 - 15</i>	1	-
14	503260205	SEALING RING	2	19
15	579851101	GASKET	1	19
16	544218407	SCREW ITXSCM	2	-
17	503215312	SCREW ITXSCM	2	-
18	502850801	SUPPORT	1	-
19	582454801	GASKET KIT	1	-
20	544218420	SCREW ITXSCM	1	-
21	582350001	GASKET	1	19

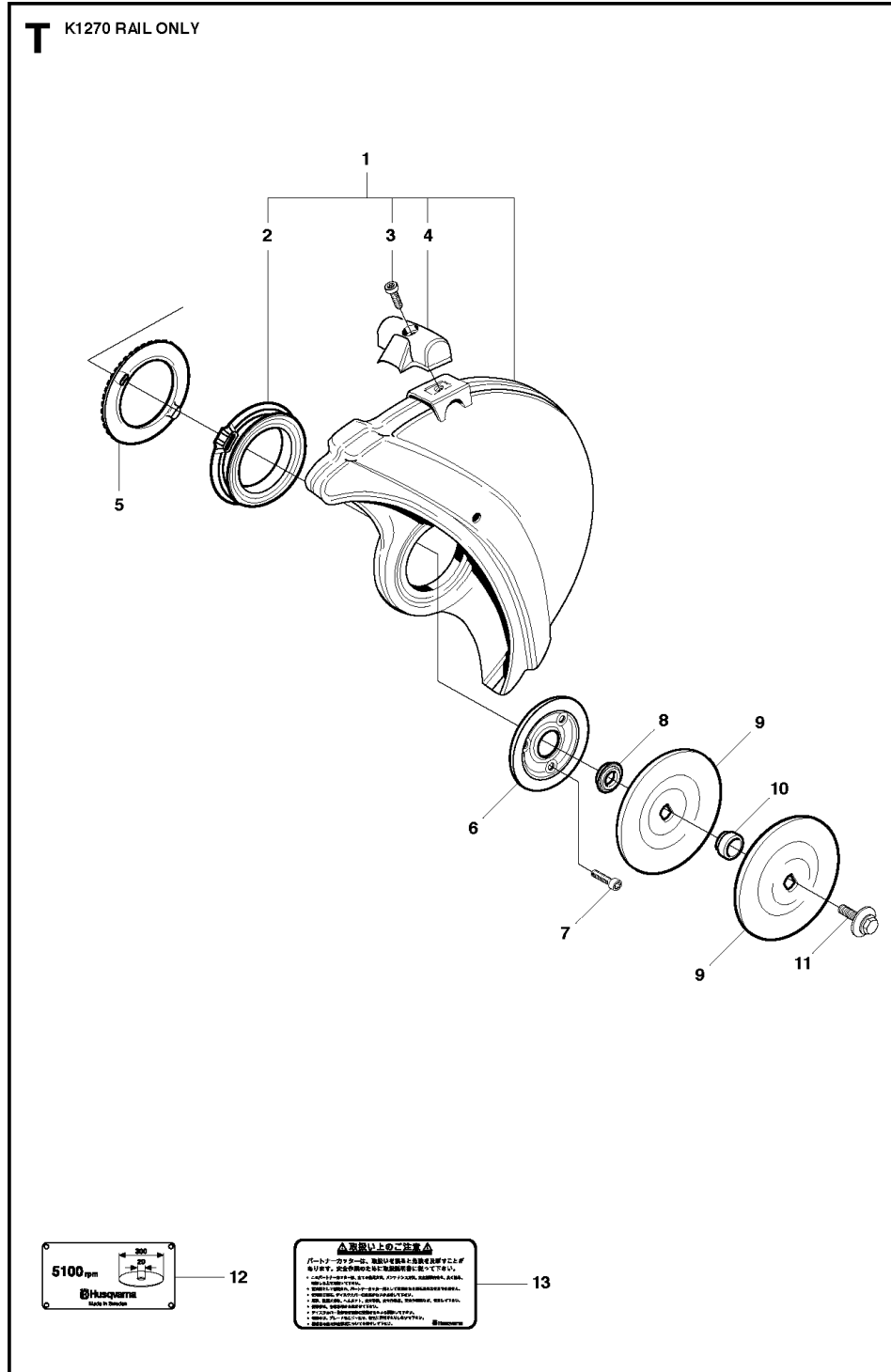
FUEL TANK



Ref.	Article N.	Description	Qty	Kit
1	582625804	FUEL TANK <i>Incl. 1 - 15, 17</i>	1	-
2	506289802	THROTTLE CABLE ASSY	1	1

Ref.	Article N.	Description	Qty	Kit
3	503140801	BUSHING	1	1
4	581756203	FUEL HOSE	1	1
5	504357201	PLUG	1	1, 7
7	588992701	TANK VENT ASSY	1	1
8	720127806	PARALLEL PIN	1	1
9	720124020	PARALLEL PIN	1	1
10	503131602	THROTTLE LOCKOUT	1	1
11	503131801	SPRING	1	1
12	503133603	THROTTLE CONTROL ASSY	1	1
13	503142301	PIN	1	1
14	506233401	SUPPORT	1	1
15	503214516	SCREW CRCSFT	2	1
16	585226301	ANTIVIBRATION ELEMENT	1	-
17	506264111	FUEL FILTER <i>Incl. 18 - 19</i>	1	1
18	506271101	HOSE CLAMP	1	17,1
19	506264101	FUEL FILTER	1	17,1
20	503215320	SCREW ITXSCM	2	-
21	503132702	ANTIVIBRATION ELEMENT	1	-
22	585226401	ANTIVIBRATION ELEMENT	1	-
23	544218420	SCREW ITXSCM	2	-
24	506255906	TANK CAP ASSY <i>Incl. 25 - 26</i>	1	-
25	506292101	GASKET	1	24
26	503578901	HOLDER	1	24
27	503226601	SQUARE NUT	2	-
28	501814701	ANTIVIBRATION ELEMENT	1	-
29	503215312	SCREW ITXSCM	1	-
30	574512201	LOCK NUT	1	-
31	503215325	SCREW ITXSCM	1	-

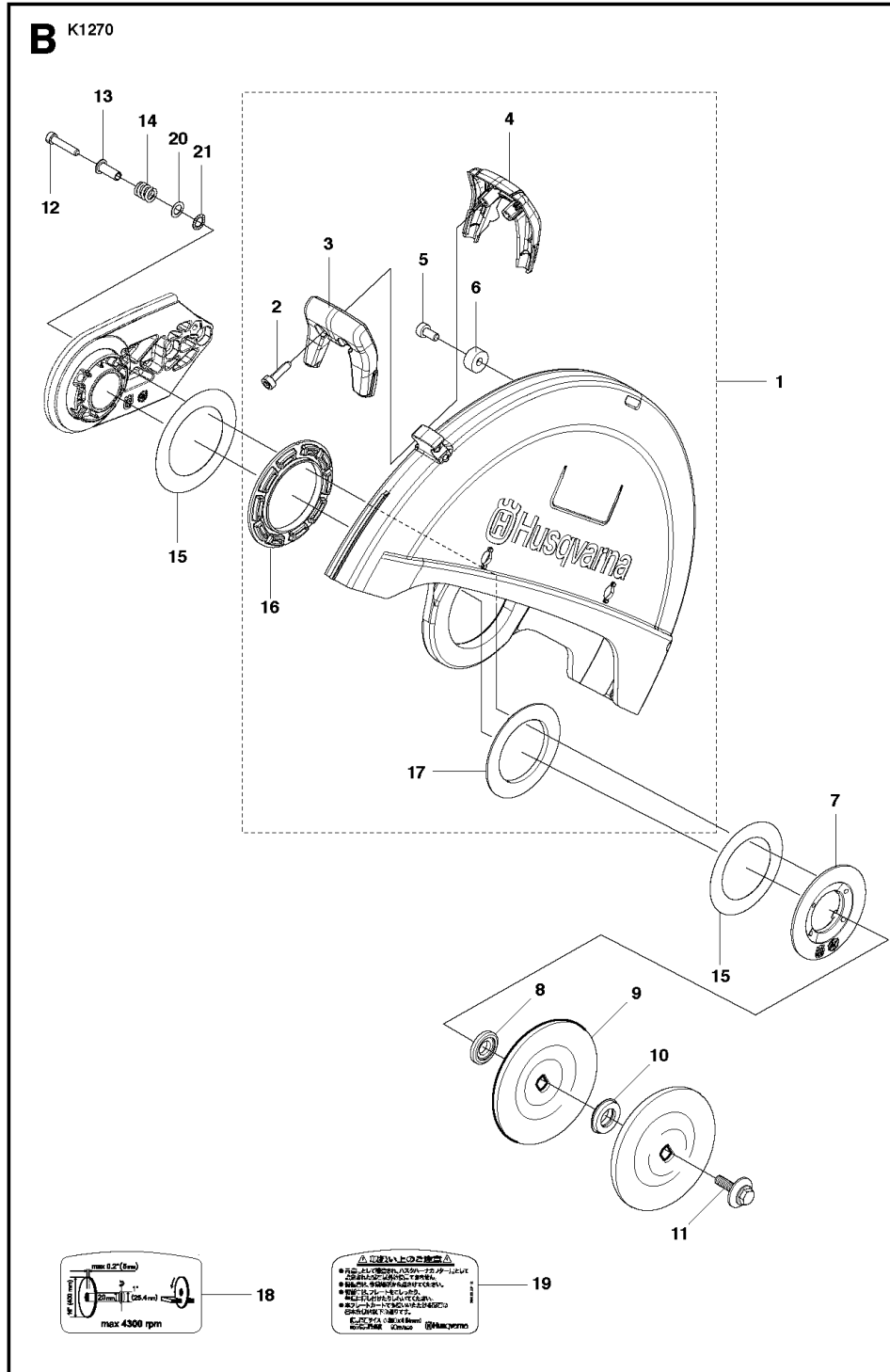
GUARDS



Ref.	Article N.	Description	Qty	Kit
1	506340554	BLADE GUARD 14 Rail	1	-

Ref.	Article N.	Description	Qty	Kit
1	506340556	BLADE GUARD <i>16 Rail</i>	1	-
2	506266302	LINING	1	1
3	503215320	SCREW ITXSCM	1	1
4	506344602	HANDLE	1	1
5	506266401	SCREEN	1	-
6	506266501	FLANGE	1	-
7	505574116	SCREW ITXSCM	3	-
8	506324801	SUPPORT FLANGE	1	-
9	583874402	FLANGE <i>Diam 105</i>	2	-
9	506070902	FLANGE WASHER <i>Diam 119</i>	2	-
10	506379620	KIT <i>Diam 20</i>	1	-
10	506379622	BUSHING <i>Diam 22,2</i>	1	-
10	578398201	BUSHING <i>Diam 25</i>	1	-
10	506028830	BUSHING <i>DIAM 30,5</i>	1	-
11	588655701	SCREW <i>M10</i>	1	-
12	506284112	LABEL <i>14 Diam 20 mm</i>	1	-
12	506284114	LABEL <i>14</i>	1	-
12	506284122	LABEL <i>16 Diam 20 mm</i>	1	-
12	506284124	LABEL <i>16</i>	1	-
13	576121002	DECAL <i>14</i>	1	-
13	576121003	DECAL <i>16</i>	1	-

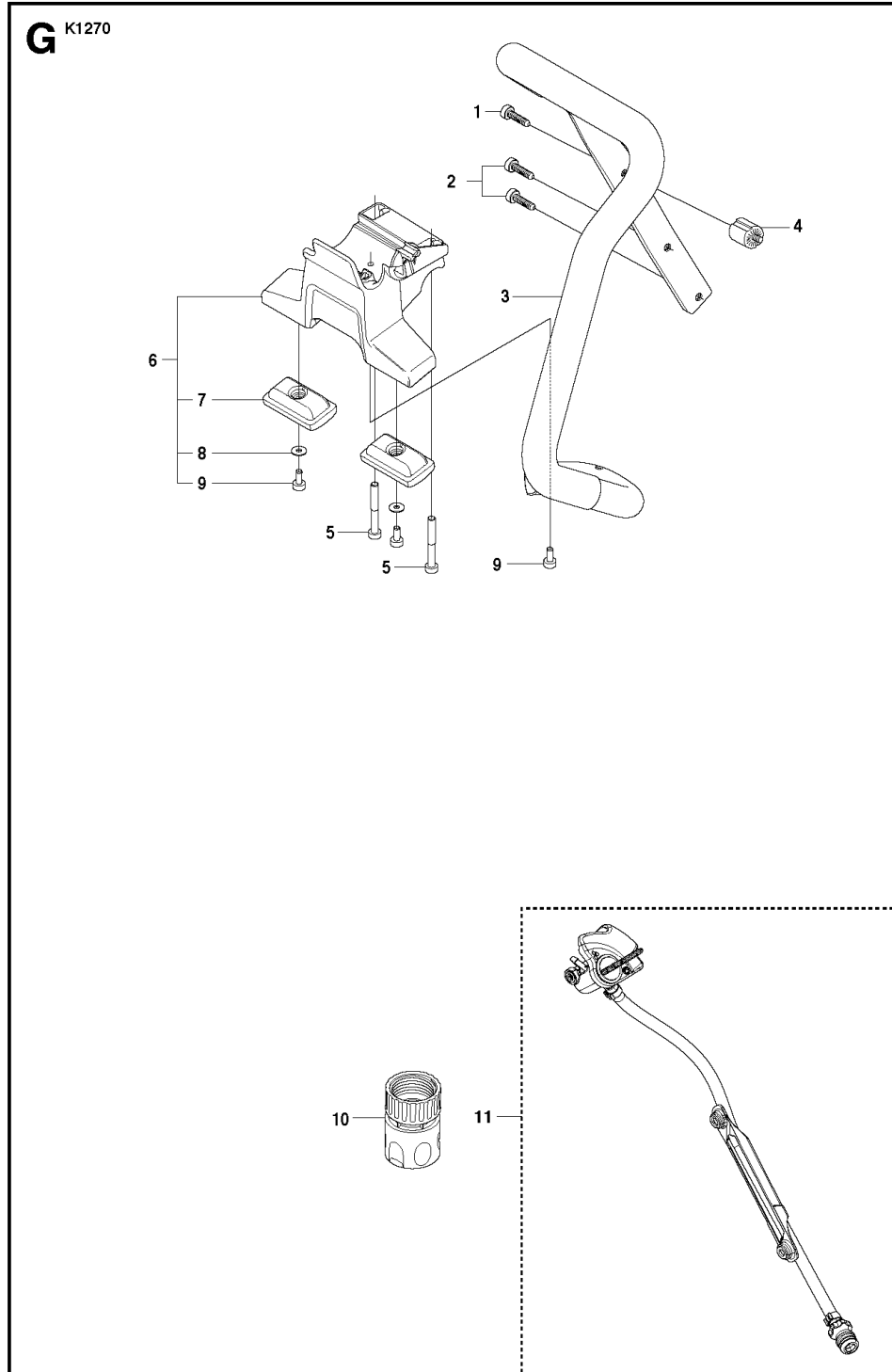
GUARDS



Ref.	Article N.	Description	Qty	Kit
1	581351907	WHEEL GUARD 14	1	-

Ref.	Article N.	Description	Qty	Kit
1	581351906	WHEEL GUARD <i>16</i>	1	-
2	504909414	SCREW ITXSCT	2	1
3	578190901	HANDLE HALF	1	1
4	578760901	HANDLE HALF	1	1
5	504909410	SCREW ITXSCT	1	1
6	581620301	STOP	1	1
7	584437701	DISC	1	-
8	584438301	SUPPORT FLANGE	1	-
9	583874402	FLANGE <i>Diam 105mm</i>	2	-
9	506070902	FLANGE WASHER <i>Diam 119mm, Japan 14/16</i>	1	-
10	578398201	BUSHING <i>Diam 20/25,4mm</i>	1	-
10	581605403	BUSHING <i>Diam 30,5mm</i>	1	-
10	506379622	BUSHING <i>Diam 22,2mm</i>	1	-
11	590503801	SCREW <i>M10</i>	1	-
12	544218430	SCREW ITXSCT	4	-
13	584438201	SLEEVE <i>14, Shiny</i>	4	-
13	584438202	SLEEVE <i>16, Black</i>	4	-
14	584438101	SPRING	4	-
15	584437801	SHIM	2	-
16	584437901	LINING	1	1
17	584438001	LINING	1	1
18	581117706	DECAL <i>14</i>	1	-
18	581117707	DECAL <i>16</i>	1	-
19	584992602	DECAL <i>14, JP</i>	1	-
19	584992603	DECAL <i>16, JP</i>	1	-
20	582233101	WASHER	2	-
21	582233201	WASHER	2	-

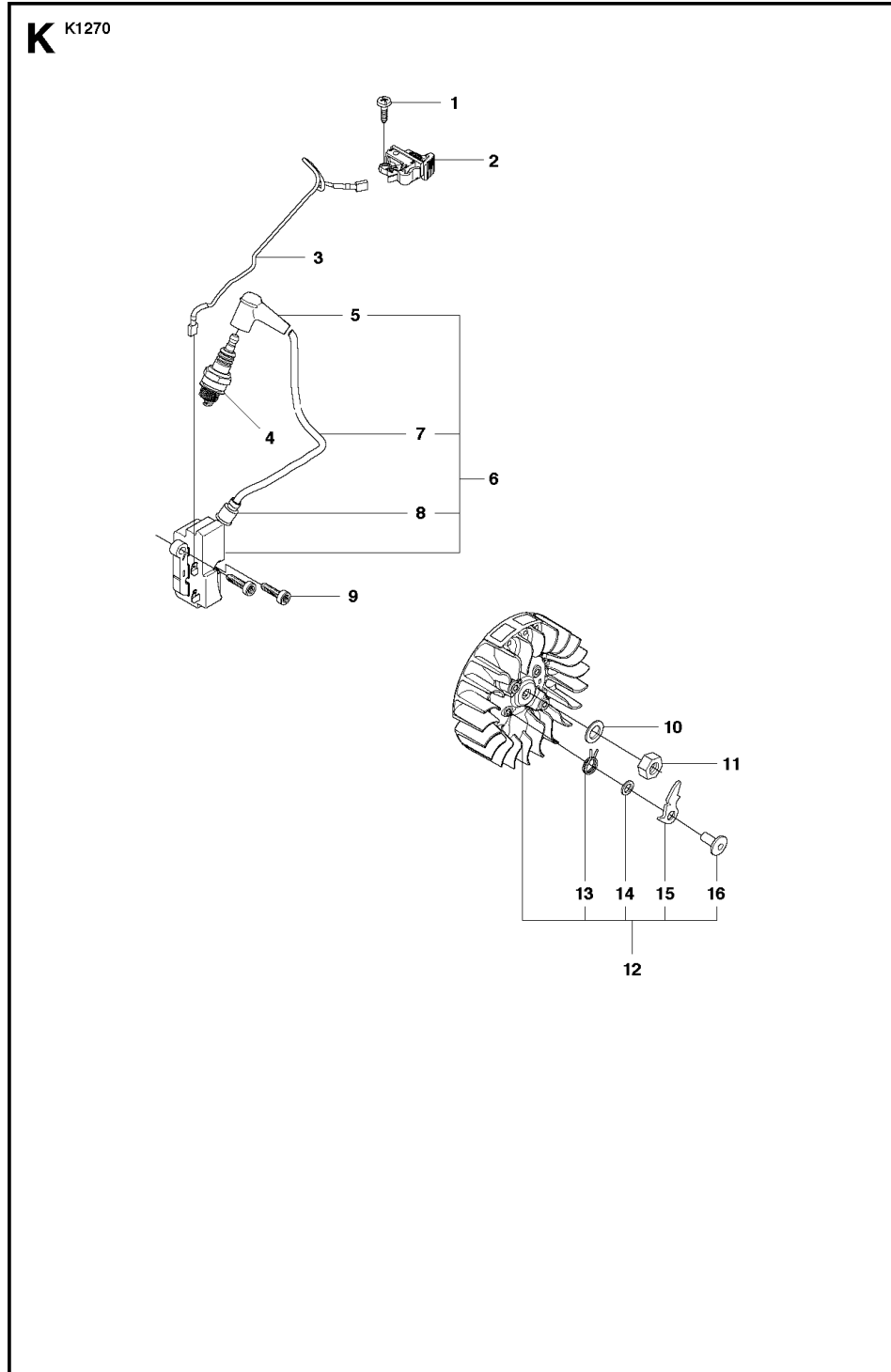
HANDLE



Ref.	Article N.	Description	Qty	Kit
1	503215312	SCREW ITXSCM	1	-
2	503215420	SCREW ITXSCT	2	-

Ref.	Article N.	Description	Qty	Kit
3	521954801	HANDLE	1	-
4	501269705	ANTIVIBRATION ELEMENT	1	-
5	544218447	SCREW ITXSCM	2	-
6	525820402	GROUND SUPPORT <i>Incl. 7 - 9</i>	1	-
7	544811601	BASE	2	6
8	734114741	WASHER	2	6
9	504909414	SCREW ITXSCT	3	6
10	503266003	COUPLER <i>USA, Canada</i>	1	-
10	503266004	COUPLER	1	-
11	581476209	HOSE KIT	1	-

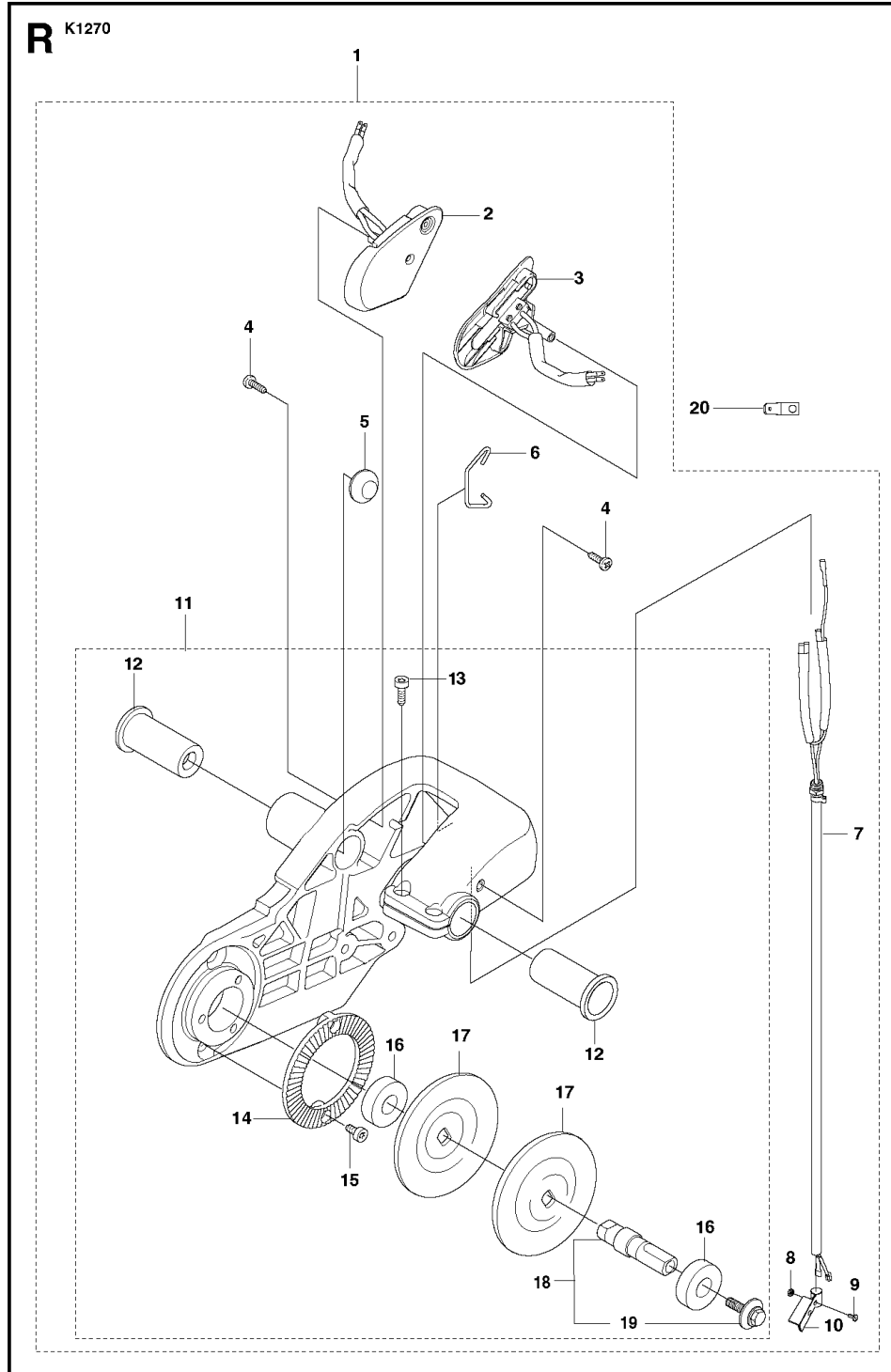
IGNITION SYSTEM



Ref.	Article N.	Description	Qty	Kit
1	525887403	SCREW CITXPANT	1	-
2	506318604	STOP SWITCH	1	-

Ref.	Article N.	Description	Qty	Kit
3	501839803	CABLE	1	-
4	503235111	SPARK PLUG <i>RCJ 6Y</i>	1	-
5	590504501	SPARK PLUG CAP	1	-
6	594729603	IGNITION MODULE ASSY <i>Incl. 7 - 8</i>	1	-
7	506387834	IGNITION CABLE	1	6
8	505277516	CABLE SLEEVE	1	6
9	525824913	SCREW ITXSCM	2	-
10	735117350	SPRING WASHER	1	-
11	503221011	HEXAGON NUT	1	-
12	587248801	FLYWHEEL ASSY <i>Incl. 13 - 16</i>	1	-
13	501634801	SPRING	2	12
14	503230042	WASHER	2	12
15	501673203	PAWL	2	12
16	501819901	SCREW	2	12

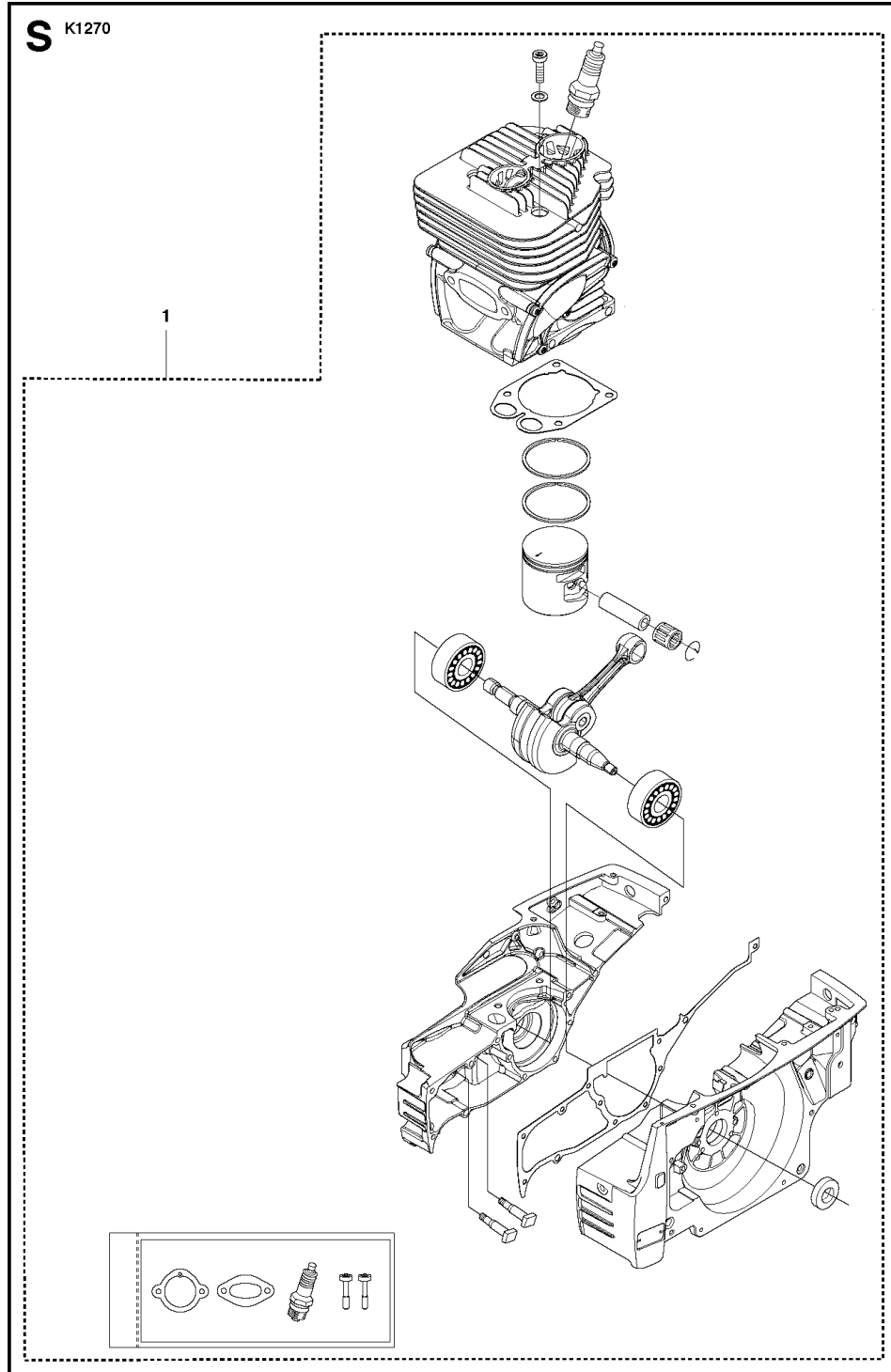
RAIL



Ref.	Article N.	Description	Qty	Kit
1	576665706	BEARING HOUSING ASSY 14 Rail Stop Switch,	1	-

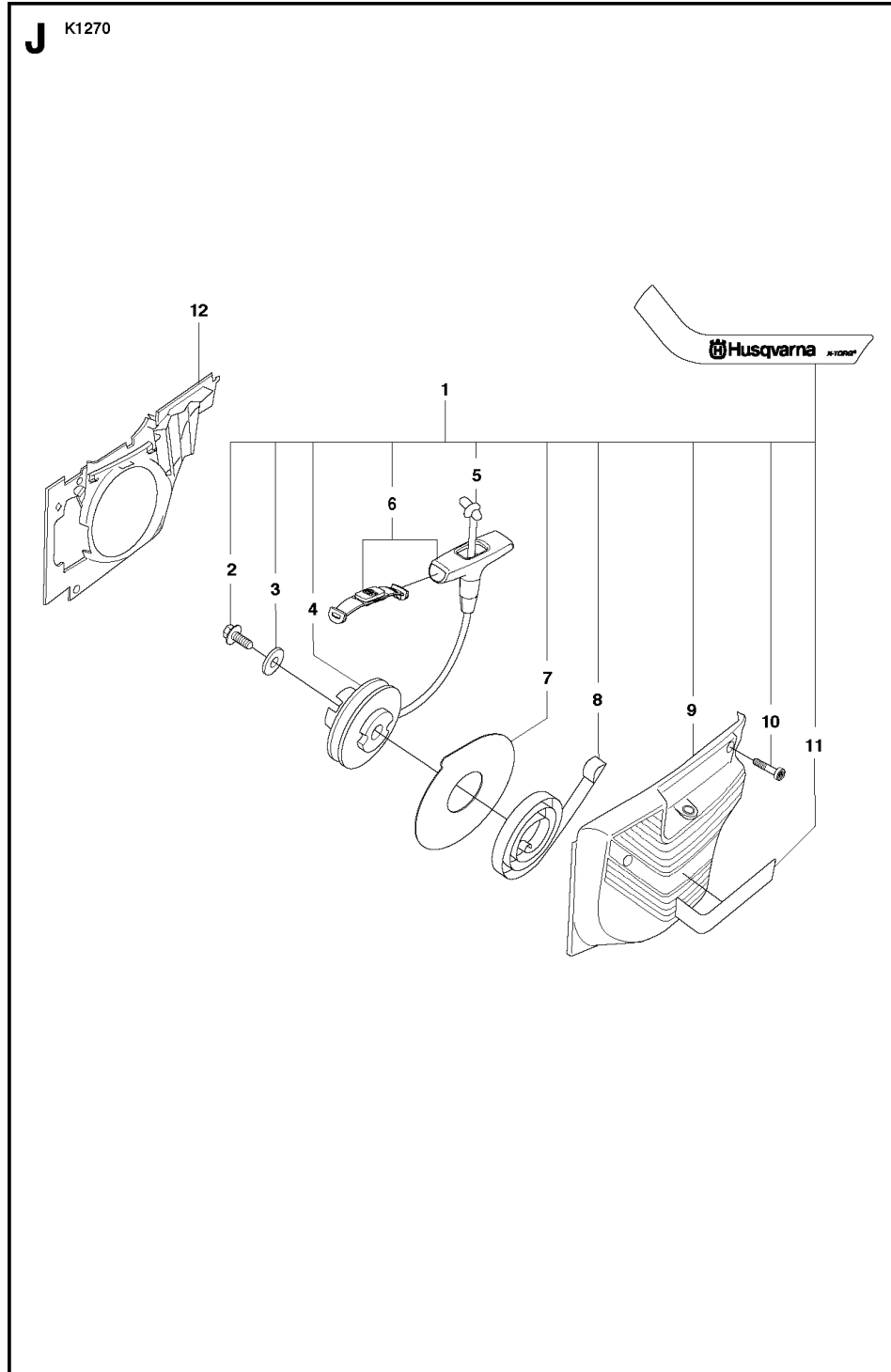
Ref.	Article N.	Description	Qty	Kit
2	506359104	STOP SWITCH <i>RH</i>	1	1
3	506359103	STOP SWITCH <i>LH</i>	1	1
4	729529171	SCREW CRPANT	2	1
5	506359601	SPACING BLOCK	1	1
6	501354301	CLIP	1	1
7	506359001	WIRING	1	1
8	732251201	HEXAGON LOCKING NUT	1	1
9	724128759	SCREW CRPANM	1	1
10	506358001	BRACKET	1	1
11	576665705	BEARING HOUSING ASSY <i>14 Rail,</i>	1	1
11	576665707	BEARING HOUSING ASSY <i>16 Rail,</i>	1	1
11	576665708	BEARING HOUSING ASSY <i>16 Rail USA,</i>	1	1
12	506227501	SLEEVE	2	1, 11
13	503200216	SCREW IHSCFM	2	1, 11
14	506288401	SCREEN	1	1, 11
15	503215310	SCREW ITXSCM	2	1, 11
16	583953301	BALL BEARING	2	1, 11
17	506070902	FLANGE WASHER <i>Incl. 18</i>	1	1, 11
18	588992401	SHAFT	1	1, 11
19	590503801	SCREW	1	1, 18, 11
20	535039401	CONNECTION	1	-

SHORT BLOCK



Ref.	Article N.	Description	Qty	Kit
1	582415003	CRANKCASE	1	-

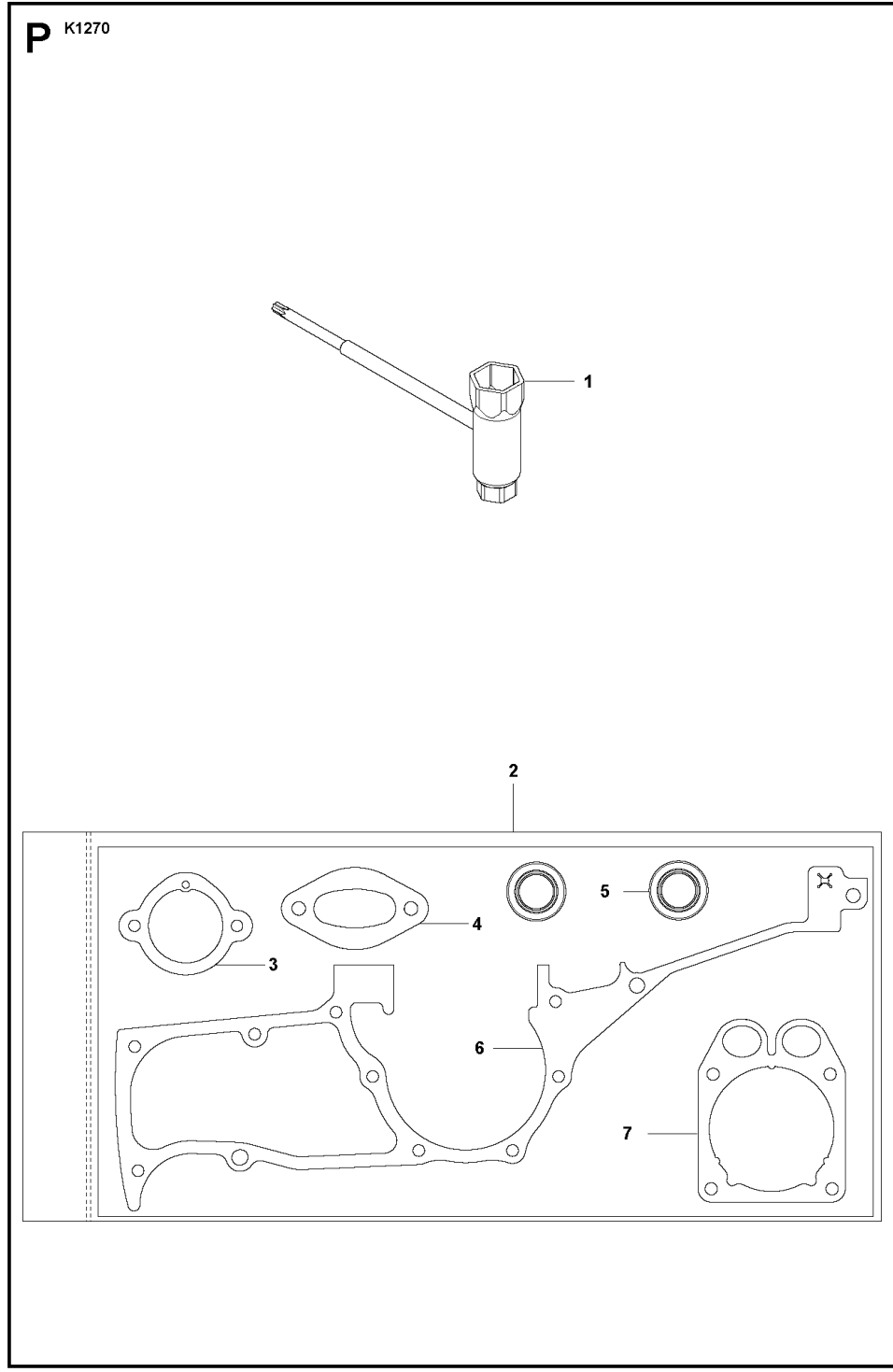
STARTER



Ref.	Article N.	Description	Qty	Kit
1	506275510	STARTER <i>Incl. 2 - 11</i>	1	-
2	503210616	SCREW IHSCT	1	1

Ref.	Article N.	Description	Qty	Kit
3	503234302	WASHER	1	1
4	501896704	STARTER PULLEY	1	1
5	506335625	STARTER ROPE	1	1
5	506335650	STARTER ROPE <i>50 meter</i>	1	1
6	584257902	STARTER HANDLE ASSY	1	1
7	503743601	DISC	1	1
8	503135001	RECOIL SPRING	1	1
9	506255802	STARTER COVER	1	1
10	501981005	SCREW ITXSCM	4	1
11	582141901	DECAL	1	1
12	501895902	AIR CONDUCTOR	1	-
12	501895903	AIR CONDUCTOR <i>Rail Stop Switch only</i>	1	-

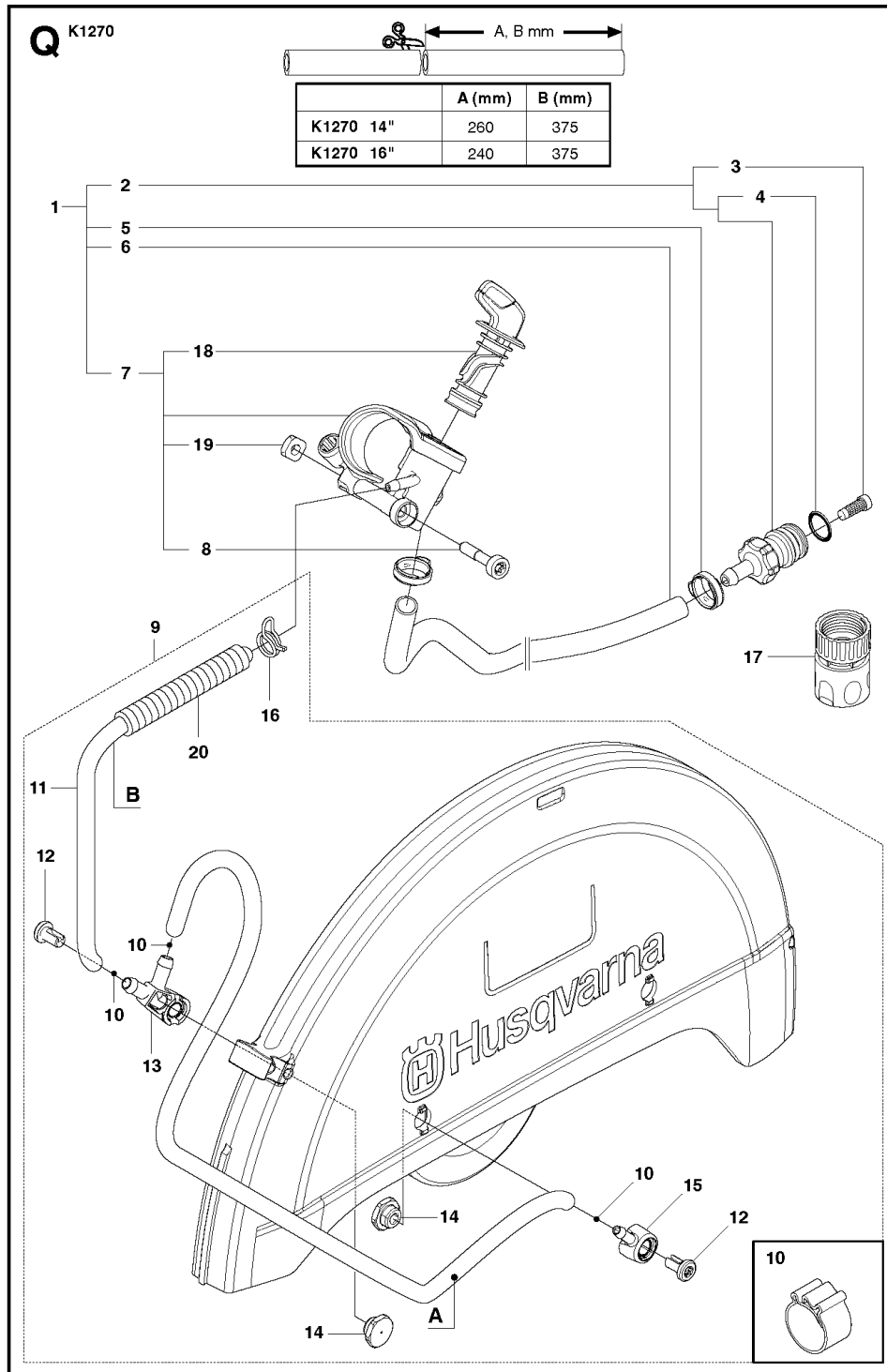
TOOLS



Ref.	Article N.	Description	Qty	Kit
1	506382601	TOOL Torx 27	1	-

Ref.	Article N.	Description	Qty	Kit
2	582454801	GASKET KIT <i>Incl. 3 - 7</i>	1	-
3	579851101	GASKET	1	2
4	585280901	GASKET	1	2
5	503260205	SEALING RING	2	2
6	582350001	GASKET	1	2
7	587536201	GASKET	1	2

WATER HOSE KIT



Ref.	Article N.	Description	Qty	Kit
1	581476209	HOSE KIT	1	-
2	581478302	NIPPLE	1	1

Ref.	Article N.	Description	Qty	Kit
3	506298801	FILTER	1	1,2
4	505103501	O-RING	1	1,2
5	589638601	HOSE CLAMP	2	1
6	578198104	HOSE	1	1
7	578243304	VALVE ASSY	1	1
8	503215341	SCREW ITXSCM	1	1,7
9	581721503	HOSE KIT	1	-
10	589638601	HOSE CLAMP	3	9
11	581893508	HOSE <i>800mm</i>	1	9
12	504634601	SCREW ITXSCM	2	9
13	587388901	HOUSING	1	9
14	576798404	NIPPLE	2	9
15	587389001	HOUSING	1	9
16	583833002	HOSE CLAMP	1	9
17	503266003	COUPLER <i>1/2</i>	1	-
17	503266004	COUPLER <i>GHT 3/4</i>	1	-
18	581357001	LEVER ASSY	1	1,7
19	503226504	SQUARE NUT	1	1,7
20	506352701	PROTECTIVE SPRING	1	-